



SMC Jack to SMC Jack Adapter

RF Adapters Technical Data Sheet

PE9115

Configuration

- SMC Jack Connector 1
- SMC Jack Connector 2
- 50 Ohms
- Straight Body Geometry

Features

- Gold Plated Contact

Applications

- General Purpose Test

Description

Pasternack's PE9115 SMC jack to SMC jack adapter is part of our full line of RF components available for same-day shipping. Our SMC to SMC adapter has a jack to jack gender configuration.

RF adapters are often used to enable connections between two connector types that would otherwise not mate. Certain adapter configurations can also be used to protect connectors on expensive equipment where the number of connect/disconnect cycles is high. An RF, microwave or millimeter wave adapter is connected to the equipment, and the commonly changed connection is made with the adapter which can be easily replaced when it wears out after high usage; such adapters are referred to as connector savers. Pasternack also offers bulkhead, panel mount, hermetically sealed, reverse polarity, and isolated ground adapter varieties to serve all of your RF, microwave and millimeter wave needs.

Mechanical Specifications

Size

Length	0.545 in [13.84 mm]
Width	0.25 in [6.35 mm]
Weight	0.003 lbs [1.36 g]

Description	Connector 1	Connector 2
Type	SMC Jack	SMC Jack
Polarity	Standard	Standard

Material Specifications

Description	Connector 1		Connector 2	
	Material	Plating	Material	Plating
Type	SMC Jack		SMC Jack	
Contact		Gold		Gold
Insulation	PTFE		PTFE	
Outer Conductor	Brass	Nickel	Brass	Nickel

Click the following link (or enter part number in "SEARCH" on website) to obtain additional part information including price, inventory and certifications: [SMC Jack to SMC Jack Adapter PE9115](#)



SMC Jack to SMC Jack Adapter

RF Adapters Technical Data Sheet

PE9115

Compliance Certifications (see [product page](#) for current document)

SMC Jack to SMC Jack Adapter from Pasternack Enterprises has same day shipment for domestic and International orders. Our RF, microwave and millimeter wave products maintain a 99% availability and are part of the broadest selection in the industry.

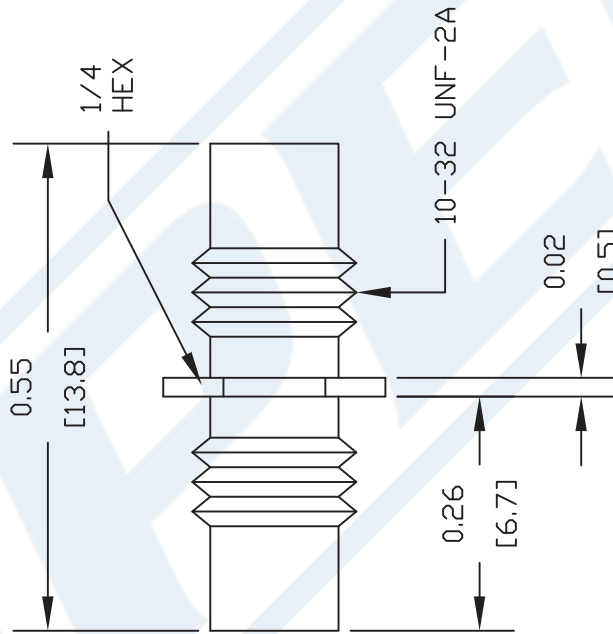
Click the following link (or enter part number in "SEARCH" on website) to obtain additional part information including price, inventory and certifications: [SMC Jack to SMC Jack Adapter PE9115](#)

URL: <https://www.pasternack.com/smc-jack-smc-jack-straight-adapter-pe9115-p.aspx>

The information contained in this document is accurate to the best of our knowledge and representative of the part described herein. It may be necessary to make modifications to the part and/or the documentation of the part, in order to implement improvements. Pasternack reserves the right to make such changes as required. Unless otherwise stated, all specifications are nominal. Pasternack does not make any representation or warranty regarding the suitability of the part described herein for any particular purpose, and Pasternack does not assume any liability arising out of the use of any part or documentation.

PE9115 CAD Drawing

SMC Jack to SMC Jack Adapter



DWG TITLE

PE9115

NOTES:
 1. UNLESS OTHERWISE SPECIFIED ALL DIMENSIONS ARE NOMINAL.
 2. ALL SPECIFICATIONS ARE SUBJECT TO CHANGE WITHOUT NOTICE AT ANY TIME.
 3. DIMENSIONS ARE IN INCHES [mm].

REV. -

FSCM NO. 53919

CAD FILE 082702

SCALE N/A

SIZE A

127

PE PASTERNAK®
 Pasternack Enterprises, Inc.
 P.O. Box 16759 | Irvine | CA | 92623
Phone: (949) 261-1920 | **Fax:** (949) 261-7451
Website: www.pasternack.com | **E-Mail:** sales@pasternack.com