



50 Ohm SMA Frequency Doubler With Input From 9 GHz to 13 GHz And Output From 18 GHz to 26 GHz With 10 dB Conversion Loss

Frequency Multipliers Technical Data Sheet

PE8603

Features

- x2 Frequency Multiplier
- Wide Frequency Band
- Low Conversion Loss

Applications

- Electronic Warfare
- Point-to-Point Radio
- Point-to-Multipoint Radio
- VSAT Radios
- Space Systems
- Test Instrumentation
- Telecommunications

Description

Pasternack's PE8603 is a frequency multiplier with a multiplication factor of 2, also known as a frequency doubler. This frequency doubler covers a wide output frequency range of 18 GHz to 26 GHz. Typical performance of this frequency multiplier includes 10 dB conversion loss. The PE8603 frequency multiplier also provides 20 dB minimum fundamental isolation.

Electrical Specifications (TA= 25°C)

Description	Minimum	Typical	Maximum	Units
Input Frequency Range	9		13	GHz
Output Frequency Range	18		26	GHz
Impedance		50		Ohms
Input Power (CW)	+10		+13	dBm
Conversion Loss		10	13	dB
Fundamental Isolation	20	25		dB

Electrical Specification Notes:
 Values at 25°C, sea level.
 Fundamental isolation referenced to input signal.

Mechanical Specifications

Size	
Length	1.55 in [39.37 mm]
Width	0.31 in [7.87 mm]
Height	0.59 in [14.99 mm]
Weight	0.027 lbs [12.25 g]
Body Material and Plating	Passivated Stainless Steel
Package Type	Connectorized
Input Connector	SMA Female
Output Connector	SMA Female

Click the following link (or enter part number in "SEARCH" on website) to obtain additional part information including price, inventory and certifications: [50 Ohm SMA Frequency Doubler With Input From 9 GHz to 13 GHz And Output From 18 GHz to 26 GHz With 10 dB Conversion Loss PE8603](#)



50 Ohm SMA Frequency Doubler With Input From
9 GHz to 13 GHz And Output From 18 GHz to 26 GHz
With 10 dB Conversion Loss

Frequency Multipliers Technical Data Sheet

PE8603

Environmental Specifications

Temperature

Operating Range	-55 to +125 deg C
Storage Range	-65 to +150 deg C

Compliance Certifications (visit www.Pasternack.com for current document)

RoHS Compliant	
REACH Compliant	12/17/2015

Plotted and Other Data

Notes:

50 Ohm SMA Frequency Doubler With Input From 9 GHz to 13 GHz And Output From 18 GHz to 26 GHz With 10 dB Conversion Loss from Pasternack Enterprises has same day shipment for domestic and International orders. Our RF, microwave and millimeter wave products maintain a 99% availability and are part of the broadest selection in the industry.

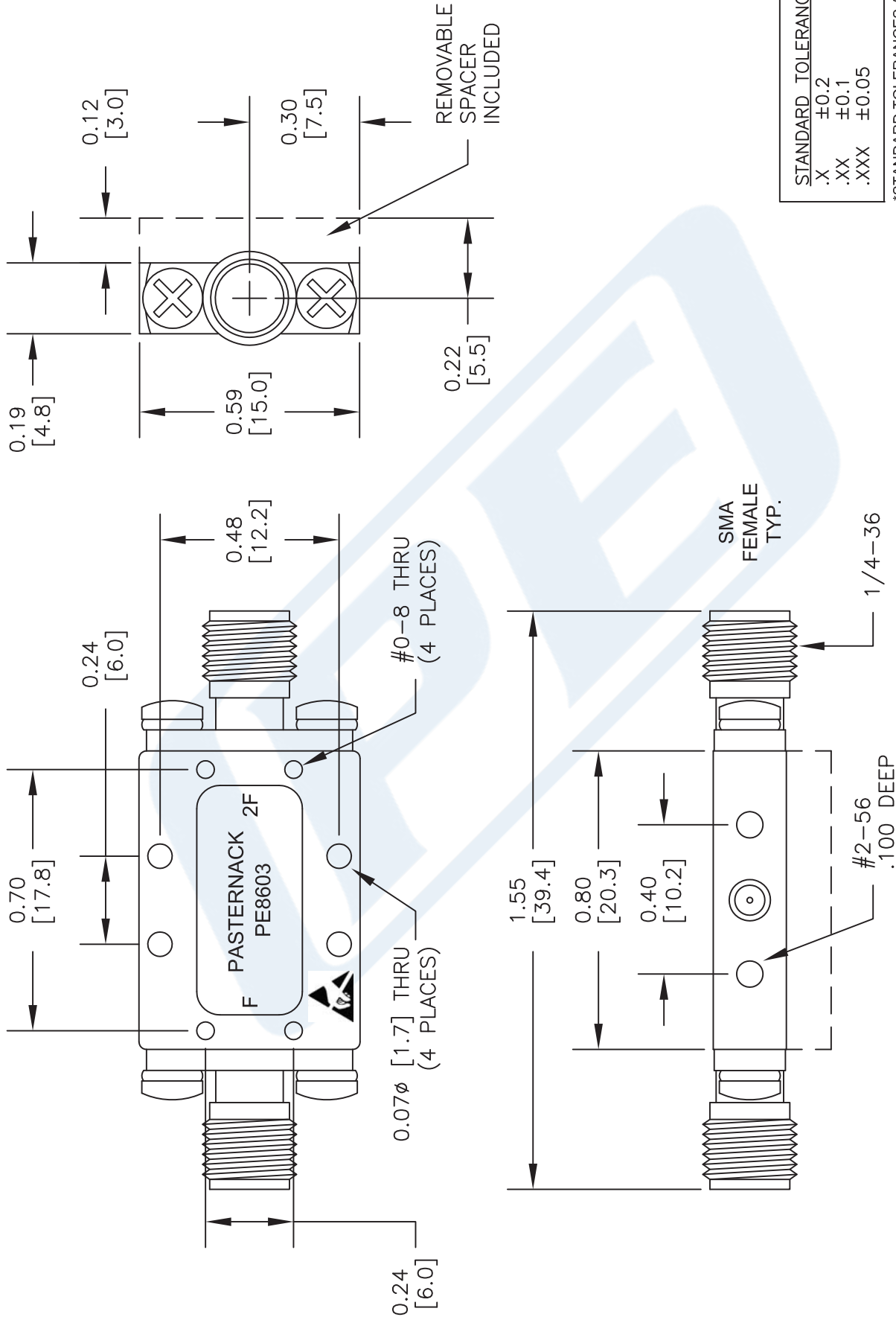
Click the following link (or enter part number in "SEARCH" on website) to obtain additional part information including price, inventory and certifications: [50 Ohm SMA Frequency Doubler With Input From 9 GHz to 13 GHz And Output From 18 GHz to 26 GHz With 10 dB Conversion Loss PE8603](https://www.pasternack.com/50-ohm-sma-doubler-input-9000-13000-output-18000-26000-10db-loss-pe8603-p.aspx)

URL: <https://www.pasternack.com/50-ohm-sma-doubler-input-9000-13000-output-18000-26000-10db-loss-pe8603-p.aspx>

The information contained in this document is accurate to the best of our knowledge and representative of the part described herein. It may be necessary to make modifications to the part and/or the documentation of the part, in order to implement improvements. Pasternack reserves the right to make such changes as required. Unless otherwise stated, all specifications are nominal. Pasternack does not make any representation or warranty regarding the suitability of the part described herein for any particular purpose, and Pasternack does not assume any liability arising out of the use of any part or documentation.

PE8603 CAD Drawing

50 Ohm SMA Frequency Doubler With Input From 9 GHz to 13 GHz And
Output From 18 GHz to 26 GHz With 10 dB Conversion Loss



DWG TITLE

PE8603

- NOTES:
1. UNLESS OTHERWISE SPECIFIED ALL DIMENSIONS ARE NOMINAL.
 2. ALL SPECIFICATIONS ARE SUBJECT TO CHANGE WITHOUT NOTICE AT ANY TIME.
 3. DIMENSIONS ARE IN INCHES [mm].

FSCM NO. 53919

CAD FILE 071216

SCALE N/A

SIZE A

2233

PE PASTERNAK
THE ENGINEER'S RF SOURCE

Pasternack Enterprises, Inc.
P.O. Box 16759 | Irvine | CA | 92623

Phone: (949) 261-1920 | Fax: (949) 261-7451

Website: www.pasternack.com | E-Mail: sales@pasternack.com