



High Power Limiter, Field Replaceable 2.92mm,  
100W Peak Power, 15 us Recovery, 13 dBm  
Flat Leakage, 26.5 GHz to 40 GHz

## Limiters Technical Data Sheet

PE80L2008

### Features

- 1 Watt Input Power(CW)
- 26.5 GHz to 40 GHz Frequency Range
- 3 dB Insertion Loss typ.
- VSWR 2:1
- Leakage @ 1 Watt CW +13 dBm Max
- Limiting Threshold +6 dBm
- +50 dBm Peak Input Power
- Field Replaceable 2.92mm Connectors
- Fast Response and Short Recovery Time 15  $\mu$ s typical
- Compact and Rugged Thin Film Construction

### Applications

- Electronic Warfare
- Test & Measurement
- Military & Space
- Military Communication Systems
- Stabilizing generator outputs
- Reducing amplitude variations
- Protects low noise amplifiers and other devices from ESD or input power damage
- Receiver Protection
- Weapon systems

### Description

The PE80L2008 is a Ka Band Signal Limiter that operates in the 26.5 GHz to 40 GHz frequency range. The Limiter has up to 1 Watts CW input power handling capability with a +13 dBm max leakage output power level and +50 dBm peak input power. Typical performance includes 3 dB typ insertion loss, 2:1 typical input VSWR, and a fast response and short recovery time of 15  $\mu$ sec. The excellent technical performance is achieved through the use of thin film stripline circuit construction. The low profile pin package supports field replaceable 2.92mm connectors and can be drop mounted onto a PWB. The Limiter is designed for high reliability and meets MIL-STD-202F environmental test conditions for Humidity, Shock, Vibration, and Altitude.

### Electrical Specifications

Description	Minimum	Typical	Maximum	Units
Frequency Range	26.5		40	GHz
Insertion Loss		3		dB
Input VSWR		2:1		
Leakage (CW) @ 25°C and 1 Watt CW			+13	dBm
Recovery Time		15		us
Input Power (CW)			1	Watt
Input Power (Peak) @10 $\mu$ s Pulse Width 5% Duty Cycle			100	Watt
Limiting Threshold		+6		dBm

Click the following link (or enter part number in "SEARCH" on website) to obtain additional part information including price, inventory and certifications: [High Power Limiter, Field Replaceable 2.92mm, 100W Peak Power, 15 us Recovery, 13 dBm Flat Leakage, 26.5 GHz to 40 GHz PE80L2008](#)



High Power Limiter, Field Replaceable 2.92mm,  
100W Peak Power, 15 us Recovery, 13 dBm  
Flat Leakage, 26.5 GHz to 40 GHz

## Limiters Technical Data Sheet

PE80L2008

### Mechanical Specifications

#### Size

Length	0.63 in [16 mm]
Width	0.75 in [19.05 mm]
Height	0.35 in [8.89 mm]
Weight	0.04 lbs [18.14 g]

#### Configuration

Style	Limiter
Package Style	Connectorized
Connector 1	2.92mm Male
Connector 2	2.92mm Female
Connector Option	Field Replaceable

### Environmental Specifications

#### Temperature

Operating Range	0 to +50 deg C
Storage Range	-45 to +100 deg C

Humidity	MIL-STD-202F, Method 103B, Condition B
Shock	MIL-STD-202F, Method 213B, Condition B
Vibration	MIL-STD-202F, Method 204D, Condition B
Altitude	MIL-STD-202F, Method 105C, Condition B

### Compliance Certifications (see [product page](#) for current document)

DFARS Compliant	01/12/2017
-----------------	------------

### Plotted and Other Data

Notes:

Click the following link (or enter part number in "SEARCH" on website) to obtain additional part information including price, inventory and certifications: [High Power Limiter, Field Replaceable 2.92mm, 100W Peak Power, 15 us Recovery, 13 dBm Flat Leakage, 26.5 GHz to 40 GHz PE80L2008](#)

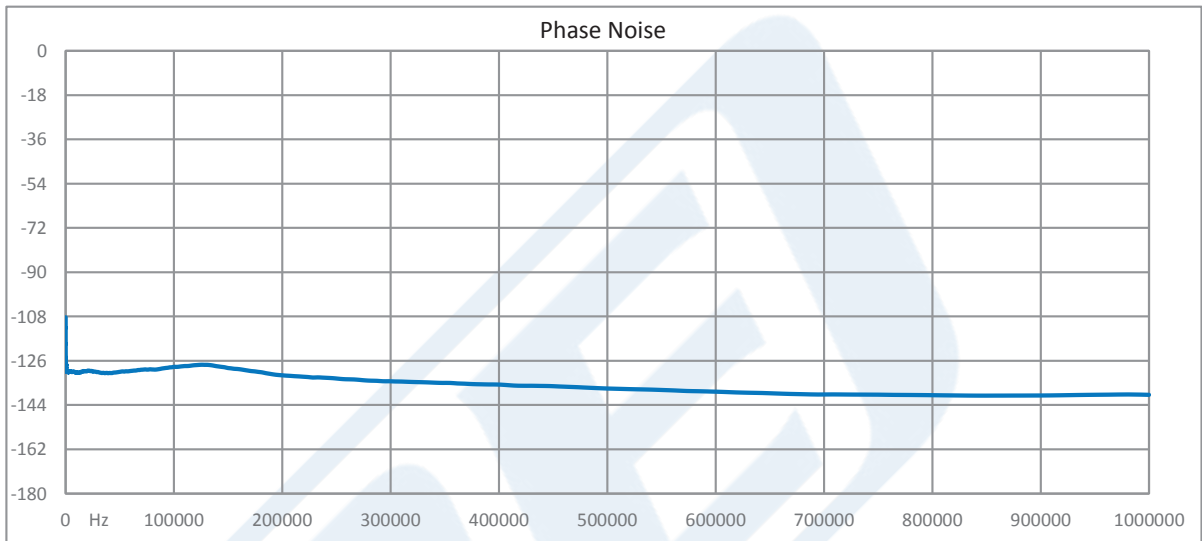


High Power Limiter, Field Replaceable 2.92mm,  
100W Peak Power, 15 us Recovery, 13 dBm  
Flat Leakage, 26.5 GHz to 40 GHz

Limiters Technical Data Sheet

PE80L2008

Typical Performance Data



Click the following link (or enter part number in "SEARCH" on website) to obtain additional part information including price, inventory and certifications: [High Power Limiter, Field Replaceable 2.92mm, 100W Peak Power, 15 us Recovery, 13 dBm Flat Leakage, 26.5 GHz to 40 GHz PE80L2008](#)



High Power Limiter, Field Replaceable 2.92mm,  
100W Peak Power, 15 us Recovery, 13 dBm  
Flat Leakage, 26.5 GHz to 40 GHz

## Limiters Technical Data Sheet

PE80L2008



High Power Limiter, Field Replaceable 2.92mm, 100W Peak Power, 15 us Recovery, 13 dBm Flat Leakage, 26.5 GHz to 40 GHz from Pasternack Enterprises has same day shipment for domestic and International orders. Our RF, microwave and millimeter wave products maintain a 99.4% availability and are part of the broadest selection in the industry.

Click the following link (or enter part number in "SEARCH" on website) to obtain additional part information including price, inventory and certifications: [High Power Limiter, Field Replaceable 2.92mm, 100W Peak Power, 15 us Recovery, 13 dBm Flat Leakage, 26.5 GHz to 40 GHz PE80L2008](https://www.pasternack.com/2.92mm-limiter-15-us-13-dbm-40-ghz-pe80l2008-p.aspx)

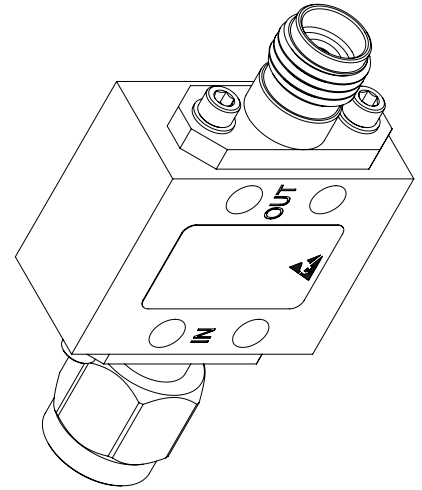
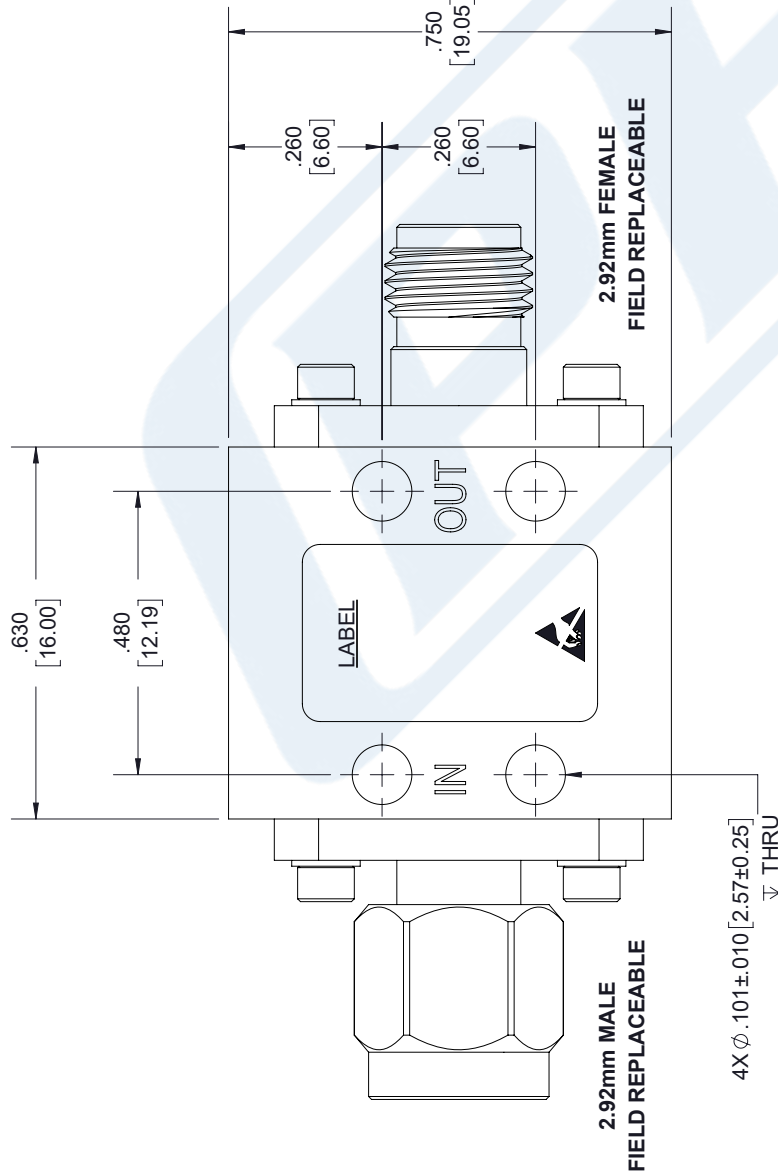
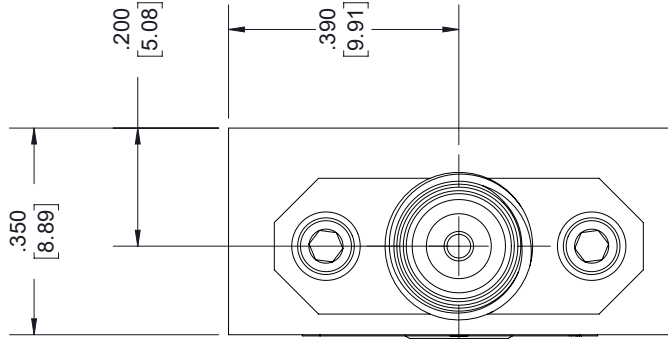
URL: <https://www.pasternack.com/2.92mm-limiter-15-us-13-dbm-40-ghz-pe80l2008-p.aspx>

The information contained in this document is accurate to the best of our knowledge and representative of the part described herein. It may be necessary to make modifications to the part and/or the documentation of the part, in order to implement improvements. Pasternack reserves the right to make such changes as required. Unless otherwise stated, all specifications are nominal. Pasternack does not make any representation or warranty regarding the suitability of the part described herein for any particular purpose, and Pasternack does not assume any liability arising out of the use of any part or documentation.

# PE80L2008 CAD Drawing

High Power Limiter, Field Replaceable 2.92mm, 100W Peak Power,  
15 us Recovery, 13 dBm Flat Leakage, 26.5 GHz to 40 GHz

REVISIONS			
REV.	DESCRIPTION	DATE	APPROVED
A	INITIAL RELEASE	04/23/19	T. GALLA



<p>UNLESS OTHERWISE SPECIFIED LEADING DIMENSIONS ARE INCHES DIMENSIONS IN [ ] ARE MILLIMETERS</p> <p>TOLERANCES: X±.2 [5.08] FRACTIONS XX±.01 [ .25] ±.132 XXX±.005 [ .13] ANGLES ± 1°</p> <p>ALL DIMENSIONS SHOWN ARE FOR REFERENCE ONLY.</p> <p>THIRD-ANGLE PROJECTION</p>		<p>THE INFORMATION AND DESIGN IN THIS DOCUMENT IS THE PROPERTY OF PASTERNAK CORPORATION. ALL RIGHTS RESERVED.</p> <p>SHEET 1 OF 1</p> <p>SCALE N/A</p>	
<p><b>(PE) PASTERNAK</b> an INFINITI brand</p> <p>Pasternack Enterprises, Inc. P.O. Box 16759, Irvine, CA 92623. Phone: 1.949.261.1920   1.866.727.8376 Fax: 1.949.261.7451 www.pasternack.com   e-mail: sales@pasternack.com</p>		<p>REV A</p>	
SIZE	CAGE NUMBER	DRAWN BY	PART NUMBER
A	53919	K.DANG	PE80L2008

**(PE) PASTERNAK**  
an INFINITI brand

**PE80L2008**  
S/N: XXXXXXXX  
D/C: XXXX

THESE COMMODITIES, TECHNOLOGY OR SOFTWARE WERE EXPORTED FROM THE UNITED STATES IN ACCORDANCE WITH THE EXPORT ADMINISTRATION REGULATIONS. DIVERSION CONTRARY TO U.S. LAW PROHIBITED.