



2.92mm High Power Limiter, 20 Watts Peak Power, 10 ns Recovery, 18 dBm Flat Leakage, 18 GHz to 40 GHz

Limiters - PE80L2002

Features

- High Speed 20 Watt Peak Limit
- 18 GHz to 40 GHz Frequency Range
- Insertion Loss @ -10 dBm 3.5 dB Typ
- VSWR @ -10 dBm 1.9:1 Typ
- Leakage @ 1 Watt CW +12 dBm Typ
- Recovery Time 10 ns
- Limiting Threshold +5 dBm Typ
- High Power Handling
- Field Replaceable Female 2.92mm Connectors

Applications

- Electronic Warfare
- Test & Measurement
- Military & Space
- Military Communication Systems
- Stabilizing generator outputs
- Reducing amplitude variations
- Protects low noise amplifiers and other devices from ESD or input power damage
- Receiver Protection
- Weapon systems

Description

The PE80L2002 is a High Power Limiter that operates from 18 GHz to 40 GHz. The Limiter handles 20 W Peak Power and operates from -54 Deg C to + 85 Deg C. Input/Output Connectors are Female 2.92mm field Replaceable.

Electrical Specifications

Description	Minimum	Typical	Maximum	Units
Frequency Range	18		40	GHz
Insertion Loss @ Pin=-10 dBm			4	dB
Input VSWR			2.1:1	
Output VSWR			2.1:1	
Leakage (CW) @ 1 Watt CW		+12	+18	dBm
Recovery Time			10	ns
Input Power (CW) Derated by 20% @ +125°C			1	Watt
Input Power (Peak) @1us pulse, 0.1% Duty Cycle			20	Watt
Limiting Threshold		+5	+9	dBm

Electrical Specification Notes:
Values at 25°C, sea level.

Click the following link (or enter part number in "SEARCH" on website) to obtain additional part information including price, inventory and certifications: [2.92mm High Power Limiter, 20 Watts Peak Power, 10 ns Recovery, 18 dBm Flat Leakage, 18 GHz to 40 GHz PE80L2002](#)



2.92mm High Power Limiter, 20 Watts Peak Power, 10 ns Recovery, 18 dBm Flat Leakage, 18 GHz to 40 GHz

Limiters - PE80L2002

Mechanical Specifications

Size

Length	0.5 in [12.7 mm]
Width	0.5 in [12.7 mm]
Height	0.22 in [5.59 mm]
Weight	0.033 lbs [14.97 g]

Configuration

Style	High Power Limiter
Connector 1	2.92mm Female
Connector 2	2.92mm Female

Environmental Specifications

Temperature

Operating Range	-54 to +85 deg C
Storage Range	-55 to +125 deg C

Humidity

Shock

Vibration

Altitude

Temperature Cycle

Fungus

Salt Fog

ESD Sensitivity

MIL-STD-202F, METHOD 103B COND. B
MIL-STD-202F, METHOD 213B COND. B
MIL-STD-202F, METHOD 204D COND. B
MIL-STD-202F, METHOD 105C COND. B
MIL-STD-202F, METHOD 107D COND. A
MIL-STD-810F, METHOD 508.5
MIL-STD-202F, METHOD 101D+EST Cond.B
Transport material in Approved ESD bags. Handle only in approved ESD Workstation.



Compliance Certifications (visit www.Pasternack.com for current document)

Not RoHS Compliant

Plotted and Other Data

Notes:

- Values at 25°C, sea level.

Click the following link (or enter part number in "SEARCH" on website) to obtain additional part information including price, inventory and certifications: [2.92mm High Power Limiter, 20 Watts Peak Power, 10 ns Recovery, 18 dBm Flat Leakage, 18 GHz to 40 GHz PE80L2002](#)

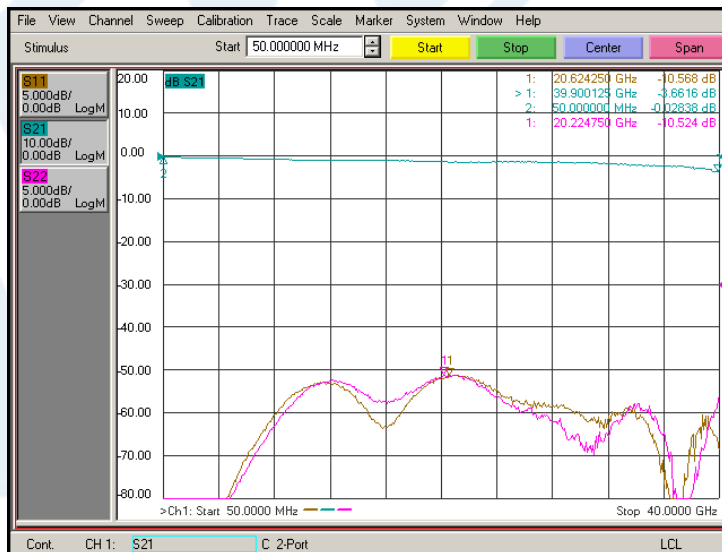


2.92mm High Power Limiter, 20 Watts Peak Power, 10 ns Recovery, 18 dBm Flat Leakage, 18 GHz to 40 GHz

Limiters - PE80L2002

Typical Performance Data

Insertion Loss & Return Loss (In/Out)

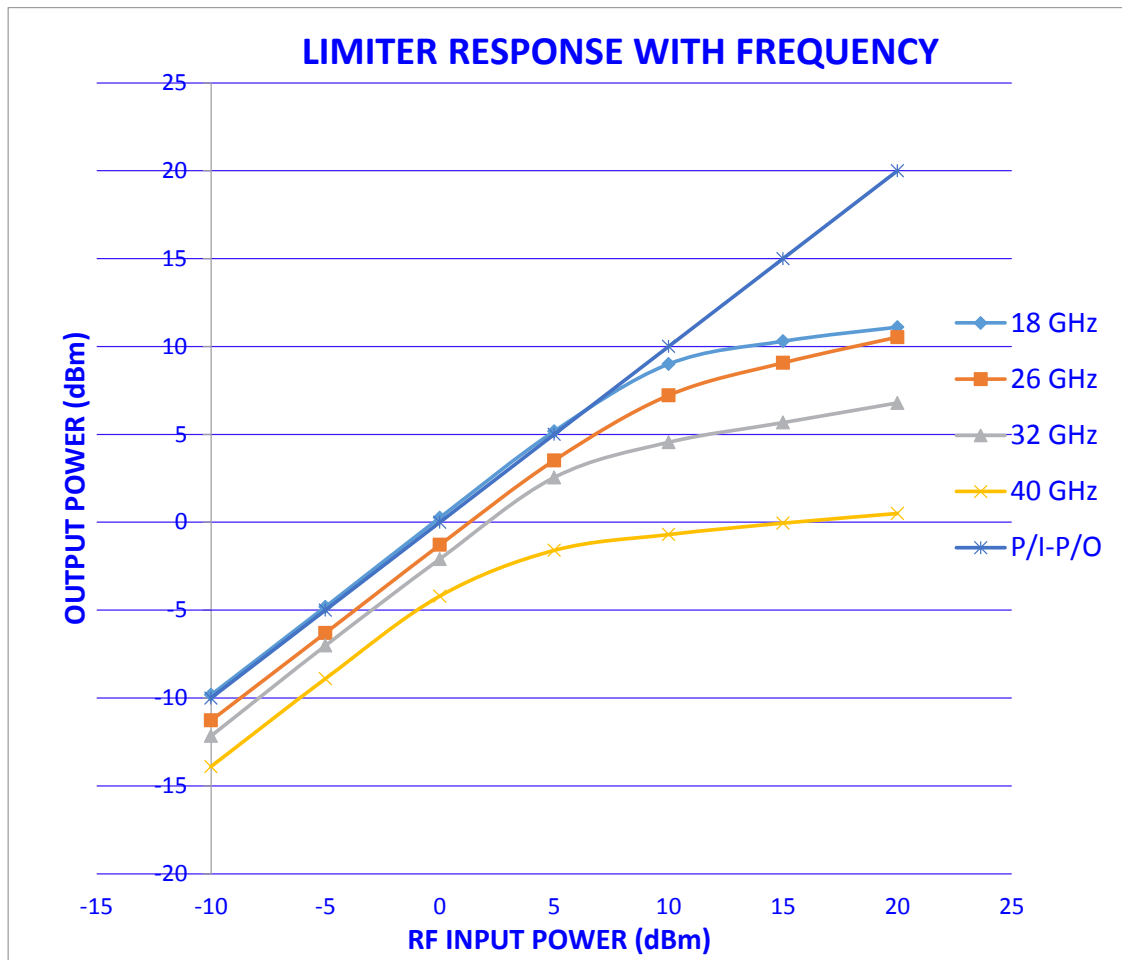


Click the following link (or enter part number in "SEARCH" on website) to obtain additional part information including price, inventory and certifications: [2.92mm High Power Limiter, 20 Watts Peak Power, 10 ns Recovery, 18 dBm Flat Leakage, 18 GHz to 40 GHz PE80L2002](#)



2.92mm High Power Limiter, 20 Watts Peak Power, 10 ns Recovery, 18 dBm Flat Leakage, 18 GHz to 40 GHz

Limiters - PE80L2002



Power Input vs. Power Output

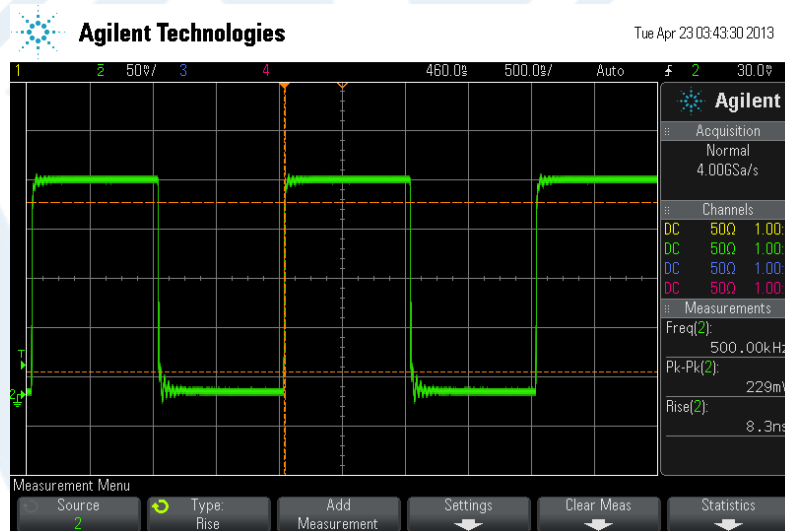
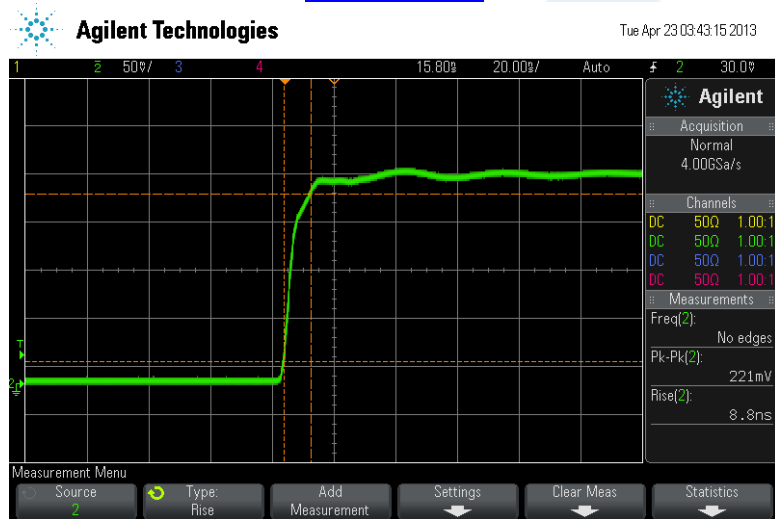
Click the following link (or enter part number in "SEARCH" on website) to obtain additional part information including price, inventory and certifications: [2.92mm High Power Limiter, 20 Watts Peak Power, 10 ns Recovery, 18 dBm Flat Leakage, 18 GHz to 40 GHz PE80L2002](#)



2.92mm High Power Limiter, 20 Watts Peak Power, 10 ns Recovery, 18 dBm Flat Leakage, 18 GHz to 40 GHz

Limiters - PE80L2002

Recovery Time 1Watt - Pulse IN



Click the following link (or enter part number in "SEARCH" on website) to obtain additional part information including price, inventory and certifications: [2.92mm High Power Limiter, 20 Watts Peak Power, 10 ns Recovery, 18 dBm Flat Leakage, 18 GHz to 40 GHz PE80L2002](#)



2.92mm High Power Limiter, 20 Watts Peak Power, 10 ns Recovery, 18 dBm Flat Leakage, 18 GHz to 40 GHz

Limiters - PE80L2002

2.92mm High Power Limiter, 20 Watts Peak Power, 10 ns Recovery, 18 dBm Flat Leakage, 18 GHz to 40 GHz from Pasternack Enterprises has same day shipment for domestic and International orders. Our RF, microwave and millimeter wave products maintain a 99% availability and are part of the broadest selection in the industry.

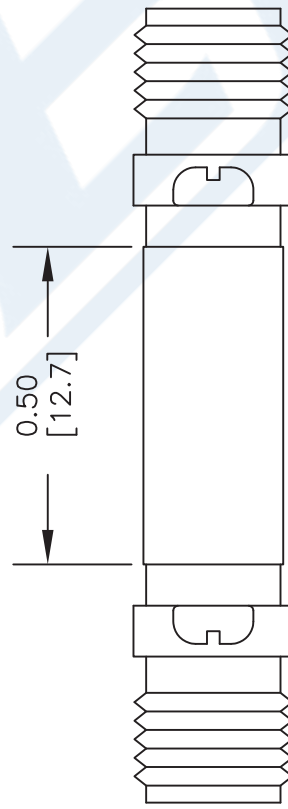
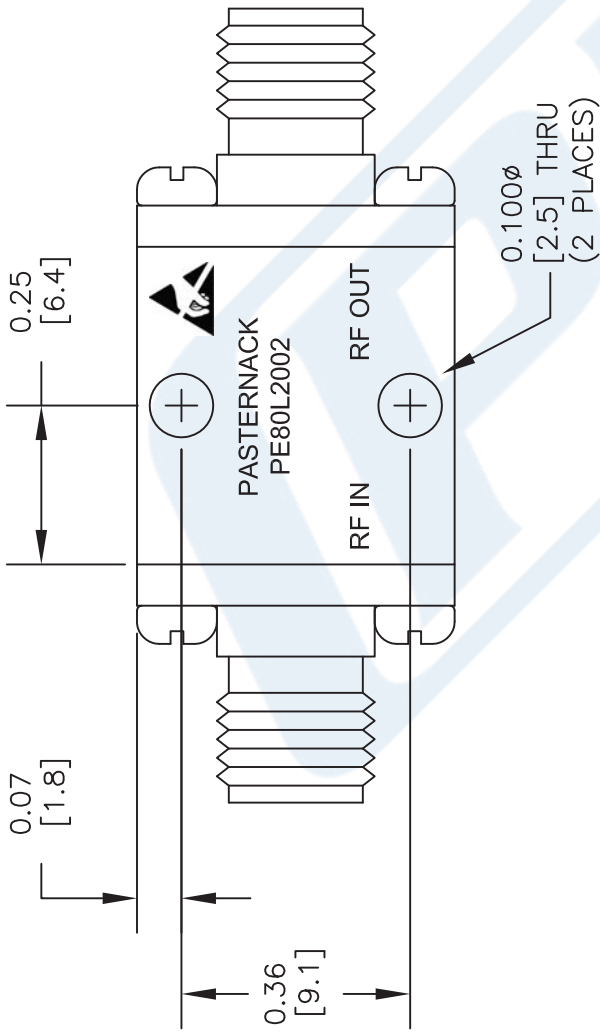
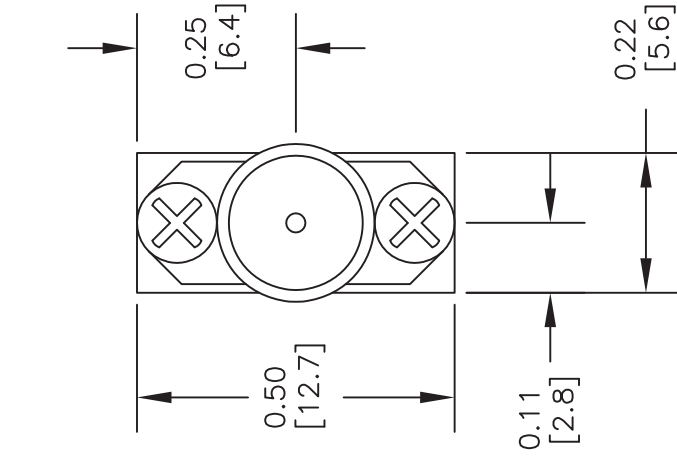
Click the following link (or enter part number in "SEARCH" on website) to obtain additional part information including price, inventory and certifications: [2.92mm High Power Limiter, 20 Watts Peak Power, 10 ns Recovery, 18 dBm Flat Leakage, 18 GHz to 40 GHz PE80L2002](http://www.pasternack.com/2.92mm-High-Power-Limiter-20-Watts-Peak-Power-10-ns-Recovery-18-dBm-Flat-Leakage-18-GHz-to-40-GHz-PE80L2002)

URL: <http://www.pasternack.com/2.92mm-limiter-high-power-10-ns-0-dbm-40-ghz-pe80l2002-p.aspx>

The information contained in this document is accurate to the best of our knowledge and representative of the part described herein. It may be necessary to make modifications to the part and/or the documentation of the part, in order to implement improvements. Pasternack reserves the right to make such changes as required. Unless otherwise stated, all specifications are nominal. Pasternack does not make any representation or warranty regarding the suitability of the part described herein for any particular purpose, and Pasternack does not assume any liability arising out of the use of any part or documentation.

PE80L2002 CAD Drawing

2.92mm High Power Limiter, 20 Watts Peak Power, 10 ns Recovery, 18 dBm Flat Leakage, 18 GHz to 40 GHz



2.92mm FEMALE

DWG TITLE

PE80L2002

NOTES:
1. UNLESS OTHERWISE SPECIFIED ALL DIMENSIONS ARE NOMINAL.
2. ALL SPECIFICATIONS ARE SUBJECT TO CHANGE WITHOUT NOTICE AT ANY TIME.
3. DIMENSIONS ARE IN INCHES [mm].

(PE) PASTERNAK®
THE ENGINEER'S RF SOURCE
Pasternack Enterprises, Inc.
P.O. Box 16759 | Irvine | CA | 92623
Phone: (949) 261-1920 | Fax: (949) 261-7451
Website: www.pasternack.com | E-Mail: sales@pasternack.com

FSCM NO. 53919

CAD FILE 031914

SCALE N/A

SIZE A

2233