

3 dB Fixed Attenuator, SMA Male to SMA  
Female Black Anodized Aluminum Heatsink  
Body Rated to 10 Watts Up to 6 GHz



**PE7428-03**

**Features**

- Bidirectional
- DC to 6 GHz Frequency Range
- Attenuation 3dB Typical
- Max Power 10 Watts (CW)
- VSWR < 1.2:1

**Applications**

- Instrumentation
- Precision measurements
- Prototyping and characterization
- Production systems

**Description**

Pasternack carries a wide range of fixed attenuators with a broad selection of attenuation levels, frequency ranges, and power dissipation ranges. RF microwave attenuators (also known as RF pads) lower the amplitude of a signal (attenuate) a known amount and can be used in a wide variety of applications. These attenuator pads are used when a signal needs to be reduced to protect measurement equipment or other circuitry, to extend the range of power meters and amplifiers, and to impedance match circuits by reducing the VSWR seen by adjacent components. RF attenuators can prevent signal overload in amplifiers, receivers and detectors, adjusting the signal level to a range that is optimal.

Few RF components are as commonly used as fixed coaxial attenuators, and Pasternack carries one of the largest in-stock varieties and ships them same day. The 3 dB Fixed Attenuator PE7428-03 is rated to 10 Watts and operates from DC to 6 GHz. The versatile coaxial package uses SMA male to SMA female connectors and is also REACH and RoHS compliant. The Black Anodized Aluminum Heatsink body allows for efficient heat dissipation under high power usage conditions.

**Electrical Specifications**

Description	Minimum	Typical	Maximum	Units
Frequency Range	DC		6	GHz
Impedance		50		Ohms
Nominal Attenuation		3		dB
Attenuation Accuracy		0.5		dB
VSWR			1.2:1	
Input Power, CW			10	Watts

**Specifications by Frequency**

Description	F1	F2	F3	F4	F5	Units
Frequency Range	DC to 3	3 to 6				GHz
VSWR, Max	1.15:1	1.2:1				

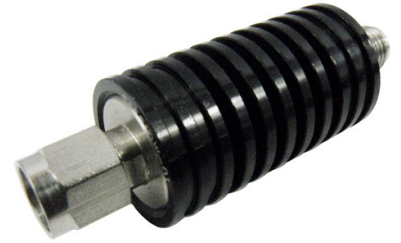
Electrical Specification Notes:  
Values at +25°C, sea level.

**Mechanical Specifications**

**Size**

- Length 1.86 in [47.24 mm]
- Width/Diameter 0.62 in [15.75 mm]
- Weight 0.0519 lbs [23.54 g]

3 dB Fixed Attenuator, SMA Male to SMA  
Female Black Anodized Aluminum Heatsink  
Body Rated to 10 Watts Up to 6 GHz



**PE7428-03**

Body Material and Plating	Black Anodized Aluminum Heatsink
<b>Configuration</b>	
Design	Fixed
Package Style	Connectorized Module

**Connectors**

Description	Connector 1	Connector 2
Type	SMA Male	SMA Female
Contact Material and Plating	Beryllium Copper, Gold	Beryllium Copper, Gold
Contact Plating Specification	MIL-G-45204	MIL-G-45204
Torque	7 in-lbs 0.79 Nm	
Body Material and Plating	Passivated Stainless Steel	Passivated Stainless Steel

**Environmental Specifications**

<b>Temperature</b>	
Operating Range	-55 to +125 deg C

**Compliance Certifications** (see [product page](#) for current document)

**Plotted and Other Data**

Notes:

**Typical Performance Data**

3 dB Fixed Attenuator, SMA Male to SMA Female Black Anodized Aluminum Heatsink Body Rated to 10 Watts Up to 6 GHz from Pasternack Enterprises has same day shipment for domestic and International orders. Our RF, microwave and millimeter wave products maintain a 99.4% availability and are part of the broadest selection in the industry.

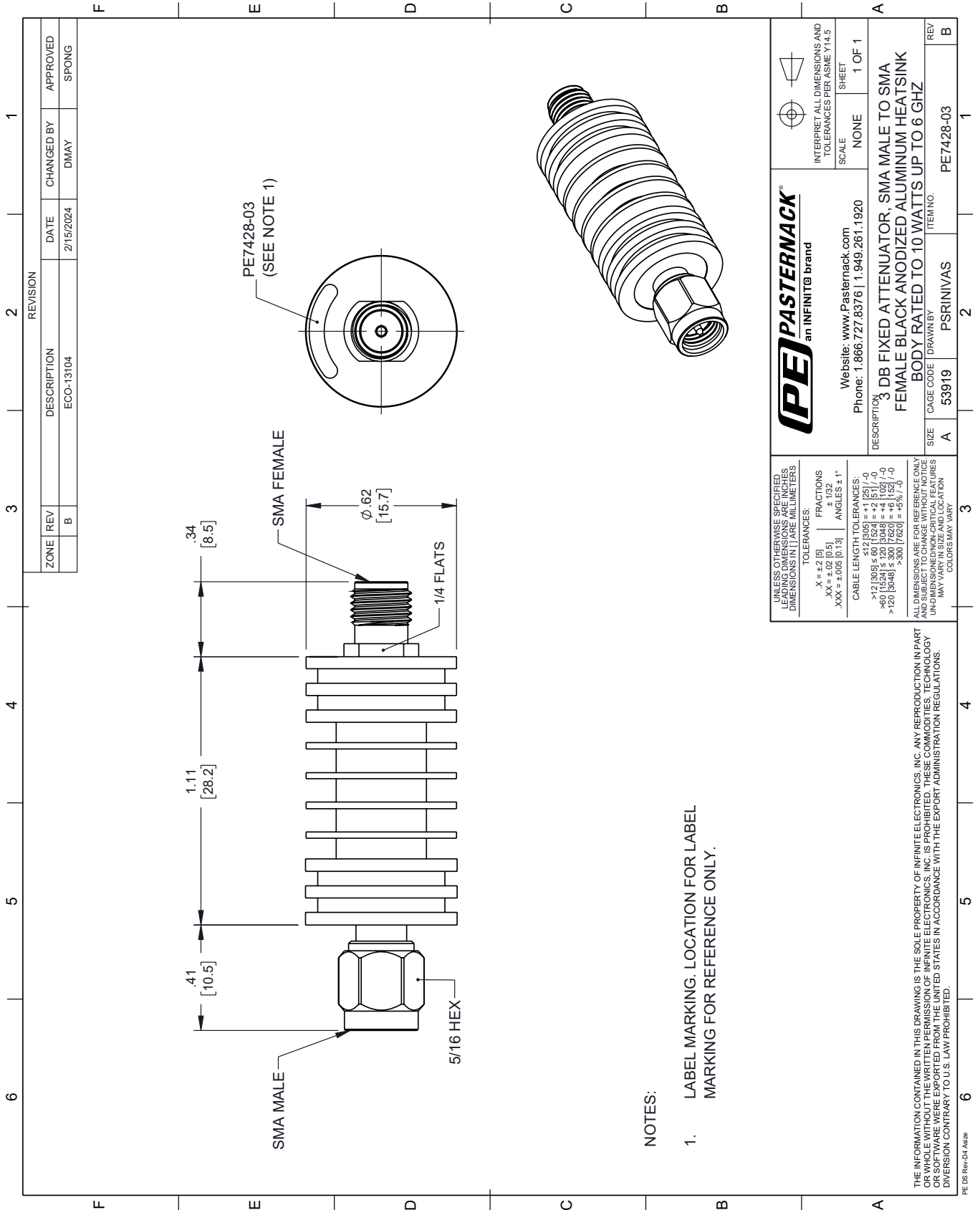
Click the following link (or enter part number in "SEARCH" on website) to obtain additional part information including price, inventory and certifications: [3 dB Fixed Attenuator, SMA Male to SMA Female Black Anodized Aluminum Heatsink Body Rated to 10 Watts Up to 6 GHz PE7428-03](#)

URL: <https://www.pasternack.com/3db-fixed-sma-male-sma-female-10-watts-attenuator-pe7428-03-p.aspx>

The information contained within this document is accurate to the best of our knowledge and representative of the part described herein. It may be necessary to make modifications to the part and/or the documentation of the part in order to implement improvements. Pasternack Enterprises reserves the right to make such changes as required. Unless otherwise stated, all specifications are nominal. Pasternack Enterprises does not make any representation or warranty regarding the suitability of the part described herein for any particular purpose, and Pasternack Enterprises does not assume liability arising out of the use of any part or document.

# PE7428-03 CAD Drawing

3 dB Fixed Attenuator, SMA Male to SMA Female Black Anodized Aluminum Heatsink Body Rated to 10 Watts Up to 6 GHz



**NOTES:**

1. LABEL MARKING, LOCATION FOR LABEL MARKING FOR REFERENCE ONLY.

**PE PASTERNAK**  
an INFINITE brand

Website: [www.Pasternack.com](http://www.Pasternack.com)  
 Phone: 1.866.727.8376 | 1.949.261.1920

INTERPRET ALL DIMENSIONS AND TOLERANCES PER ASME Y14.5  
 SCALE NONE  
 SHEET 1 OF 1

DESCRIPTION  
**3 DB FIXED ATTENUATOR, SMA MALE TO SMA FEMALE BLACK ANODIZED ALUMINUM HEATSINK BODY RATED TO 10 WATTS UP TO 6 GHz**

SIZE	A	CAGE CODE	53919	DRAWN BY	PSRINIVAS	ITEM NO.	PE7428-03
REV	B						