



6 dB Fixed Attenuator, N Female to N Female Black Anodized Aluminum Heatsink Body Rated to 25 Watts Up to 18 GHz

RF Fixed Attenuators Technical Data Sheet

PE7371-6

Description

Pasternack carries a wide range of fixed attenuators with a broad selection of attenuation levels, frequency ranges, and power dissipation ranges. RF microwave attenuators (also known as RF pads) lower the amplitude of a signal (attenuate) a known amount and can be used in a wide variety of applications. These attenuator pads are used when a signal needs to be reduced to protect measurement equipment or other circuitry, to extend the range of power meters and amplifiers, and to impedance match circuits by reducing the VSWR seen by adjacent components. RF attenuators can prevent signal overload in amplifiers, receivers and detectors, adjusting the signal level to a range that is optimal.

Few RF components are as commonly used as fixed coaxial attenuators, and Pasternack carries one of the largest in-stock varieties and ships them same day. The 6 dB Fixed Attenuator PE7371-6 is rated to 25 Watts and operates from DC to 18 GHz. The versatile coaxial package uses type N female connectors. The Black Anodized Aluminum Heatsink body allows for efficient heat dissipation under high power usage conditions.

Electrical Specifications

| Description | Minimum | Typical | Maximum | Units |
|---------------------|---------|---------|---------|-------|
| Frequency Range | DC | | 18 | GHz |
| Impedance | | 50 | | Ohms |
| Nominal Attenuation | | 6 | | dB |
| VSWR | | | 1.6:1 | |
| Input Power, CW | | | 25 | Watts |
| Input Power, Peak | | | 500 | Watts |

Specifications by Frequency

| Description | F1 | F2 | F3 | F4 | F5 | Units |
|---------------------------|---------|-----------|------------|----|----|-------|
| Range | DC to 6 | 6 to 12.4 | 12.4 to 18 | | | GHz |
| VSWR, Max | 1.3:1 | 1.45:1 | 1.6:1 | | | |
| Attenuation Accuracy, Typ | 0.5 | 0.75 | 1 | | | dB |
| Input Power, CW | 25 | | | | | Watts |

Click the following link (or enter part number in "SEARCH" on website) to obtain additional part information including price, inventory and certifications: [6 dB Fixed Attenuator, N Female to N Female Black Anodized Aluminum Heatsink Body Rated to 25 Watts Up to 18 GHz PE7371-6](#)



6 dB Fixed Attenuator, N Female to N Female Black Anodized Aluminum Heatsink Body Rated to 25 Watts Up to 18 GHz

RF Fixed Attenuators Technical Data Sheet

PE7371-6

Mechanical Specifications

Size

| | |
|---------------------------|----------------------------------|
| Length | 4.5 in [114.3 mm] |
| Width/Diameter | 2.41 in [61.21 mm] |
| Weight | 0.8 lbs [362.87 g] |
| Body Material and Plating | Black Anodized Aluminum Heatsink |

Configuration

| | |
|--------|----------------------|
| Design | Fixed, Bidirectional |
|--------|----------------------|

Connectors

| Description | Connector 1 | Connector 2 |
|--------------------------------------|-----------------------------|-----------------------------|
| Type | N Female | N Female |
| Contact Material and Plating | Brass, Gold | Brass, Gold |
| Contact Plating Specification | Silver | |
| Outer Conductor Material and Plating | | Brass, Silver |
| Hex Size | 11/16 In. | 11/16 In. |
| Body Material and Plating | Stainless Steel, Passivated | Stainless Steel, Passivated |
| Body Plating Specification | Passivated | |

Environmental Specifications

Temperature

| | |
|-----------------|-------------------|
| Operating Range | -55 to +125 deg C |
|-----------------|-------------------|

Compliance Certifications (see [product page](#) for current document)

Plotted and Other Data

Notes:

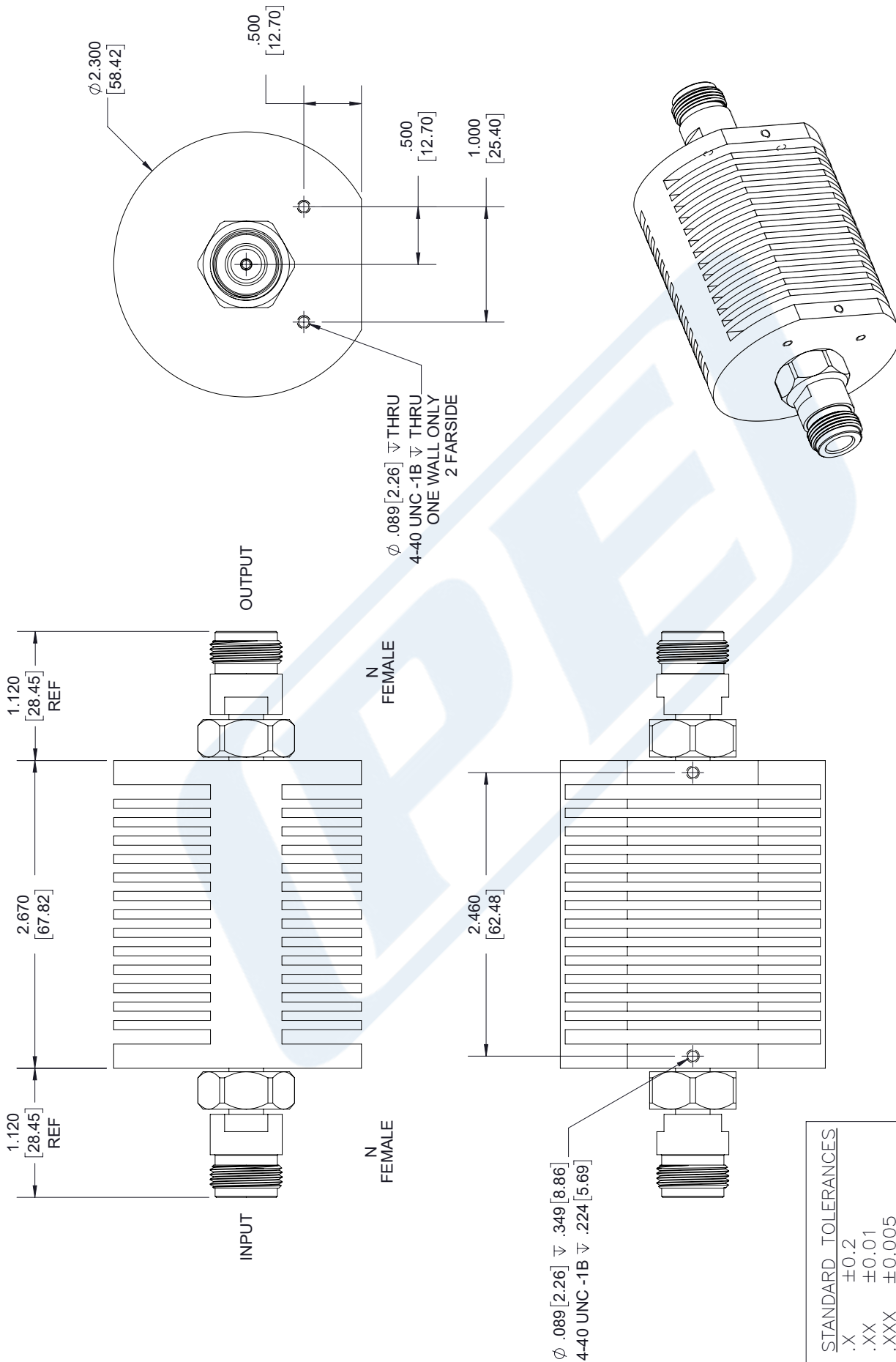
6 dB Fixed Attenuator, N Female to N Female Black Anodized Aluminum Heatsink Body Rated to 25 Watts Up to 18 GHz from Pasternack Enterprises has same day shipment for domestic and International orders. Our RF, microwave and millimeter wave products maintain a 99.4% availability and are part of the broadest selection in the industry.

Click the following link (or enter part number in "SEARCH" on website) to obtain additional part information including price, inventory and certifications: [6 dB Fixed Attenuator, N Female to N Female Black Anodized Aluminum Heatsink Body Rated to 25 Watts Up to 18 GHz PE7371-6](#)

URL: <https://www.pasternack.com/6db-fixed-n-female-n-female-25-watts-attenuator-pe7371-6-p.aspx>

PE7371-6 CAD Drawing

6 dB Fixed Attenuator, N Female to N Female Black Anodized Aluminum Heatsink Body Rated to 25 Watts Up to 18 GHz



NOTES:
 1. UNLESS OTHERWISE SPECIFIED ALL DIMENSIONS ARE NOMINAL.
 2. ALL SPECIFICATIONS ARE SUBJECT TO CHANGE WITHOUT NOTICE AT ANY TIME.
 3. DIMENSIONS ARE IN INCHES [mm].

DWG TITLE
PE7371-6

PASTERNAK®
 THE ENGINEER'S RF SOURCE
 Pasternack Enterprises, Inc.
 P.O. Box 16759 | Irvine | CA | 92623
Phone: (949) 261-1920 | **Fax:** (949) 261-7451
Website: www.pasternack.com | **E-Mail:** sales@pasternack.com

CAD FILE 04/18/18

SCALE N/A

CAGE CODE **53919**