



Transfer Electromechanical Relay Latching Switch,
+COM, DC to 43 GHz, 10W, 28VDC, 2.92mm

Electromechanical Relay Switches Technical Data Sheet

PE71S6580

Features

- Transfer Electromechanical Relay Switch
- DC to 43 GHz Frequency Range
- Latching Actuator
- Positive Common (+COM) Configuration
- 2M Lifecycle Rating
- Insertion Loss 0.5 dB typ
- Isolation > 85 dB typ
- VSWR as low as 1.2:1 max
- Solder Terminal Pins for DC Control
- 28 Volt DC Bias
- 2.92mm Female Connectors
- -25°C to +65°C Operating Temperature
- 10 Watt Average Power Handling
- 50 Ohm Design
- Hot Switching Capability - Consult Factory
- S-Parameter Data available upon request
- Rugged Design meets Mil-STD-202 Test Conditions

Applications

- Aerospace & Defense
- Test & Measurement
- Microwave Radio Systems
- Military & Commercial Communication Systems
- Research & Development
- SATCOM
- Wireless Communications
- Enterprise
- IoT

Description

The PE71S6580 is a Transfer electromechanical relay switch that operates across a wideband frequency range from DC to 43 GHz and can handle 10W of average power in a break before make condition. The 50 Ohm design supports a positive common (+COM) biasing configuration and features a Latching Actuator with a 2 million lifecycle rating. The Latching Actuator magnetically latches in place after the control voltage is removed. For power sensitive applications, this is the best actuator option. Impressive typical performance includes 0.5 dB insertion loss and isolation greater than 85 dB. This switch requires 28 Vdc bias voltage and operates over a temperature range of -25°C to +65°C. The rugged and compact package assembly supports 2.92mm female connectors and solder terminal pins for DC control. And for highly reliable operation, the model is guaranteed to meet MIL-STD-202 environmental test conditions for shock and random vibration.

Electrical Specifications (TA = 25°C, DC Voltage = 28 Vdc)

Switch Type
Actuator Type

Transfer
Latching

Description	Minimum	Typical	Maximum	Units
Frequency Range	DC		43	GHz
Operating Voltage	26	28	30	Volts
Actuating Set Current @		250		mA
VSWR		1.5:1	1.8:1	
Insertion Loss		0.5	1	dB
Isolation	50	85		dB
Switching Time		<20		ms Typ

Click the following link (or enter part number in "SEARCH" on website) to obtain additional part information including price, inventory and certifications: [Transfer Electromechanical Relay Latching Switch, +COM, DC to 43 GHz, 10W, 28VDC, 2.92mm PE71S6580](#)



Transfer Electromechanical Relay Latching Switch,
+COM, DC to 43 GHz, 10W, 28VDC, 2.92mm

Electromechanical Relay Switches Technical Data

PE71S6580

Performance by Frequency

Description	F1	F2	F3	F4	F5	Units
Frequency Range	DC to 6	6 to 12.4	12.4 to 26.5	26.5 to 43		GHz
VSWR, Max	1.2:1	1.3:1	1.4:1	1.8:1		
Insertion Loss, Max	0.2	0.4	0.7	1		dB
Isolation, Min	85	80	65	50		dB

Mechanical Specifications

Size

Length	2.05 in [52.07 mm]
Width/Diameter	1.5 in [38.1 mm]
Height	0.52 in [13.21 mm]
Weight	0.114 lbs [51.71 g]

Connectors

RF Connector Type	2.92mm Female
Control Connector	Solder Terminals

Environmental Specifications

Temperature

Operating Range	-25 to +65 deg C
Storage Range	-55 to +100 deg C

Shock MIL-STD-202 Method 213, Condition D, 500G (non oper)

Vibration MIL-STD-202 Method 204, Condition D, 10G RMS (non oper)

Compliance Certifications (see [product page](#) for current document)

Plotted and Other Data

Notes:

Click the following link (or enter part number in "SEARCH" on website) to obtain additional part information including price, inventory and certifications: [Transfer Electromechanical Relay Latching Switch, +COM, DC to 43 GHz, 10W, 28VDC, 2.92mm PE71S6580](#)

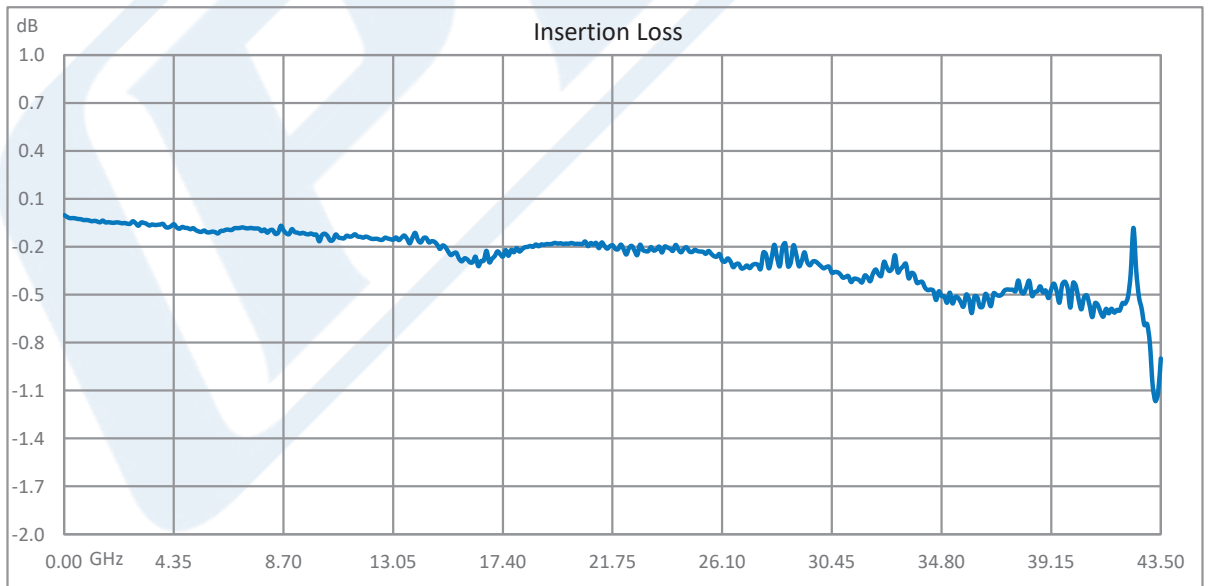
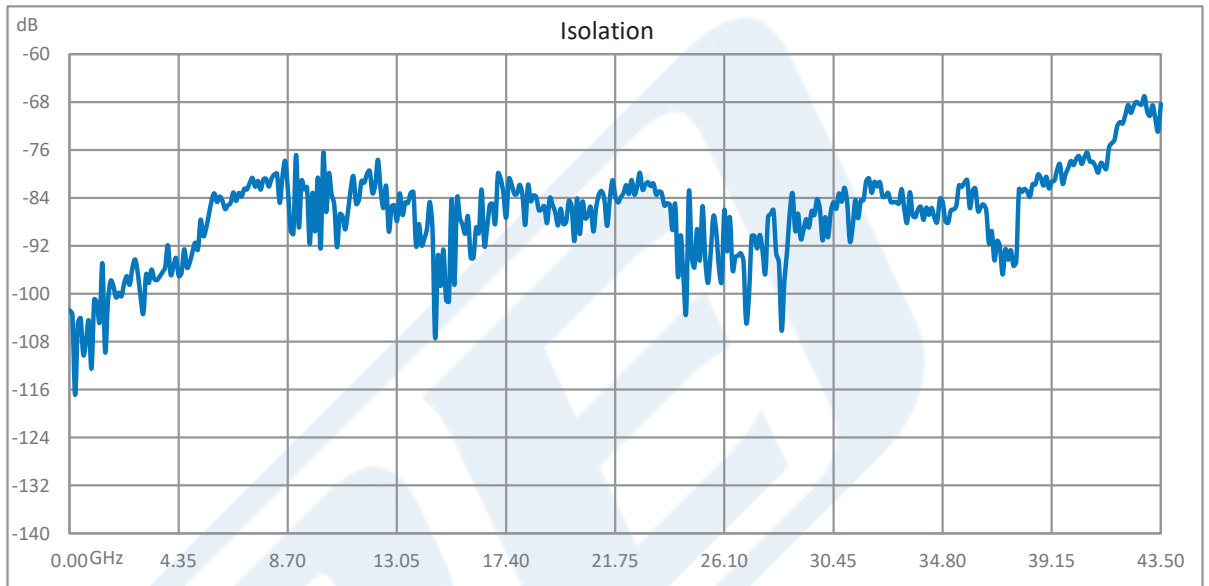


Transfer Electromechanical Relay Latching Switch,
+COM, DC to 43 GHz, 10W, 28VDC, 2.92mm

Electromechanical Relay Switches Technical Data

PE71S6580

Typical Performance Data



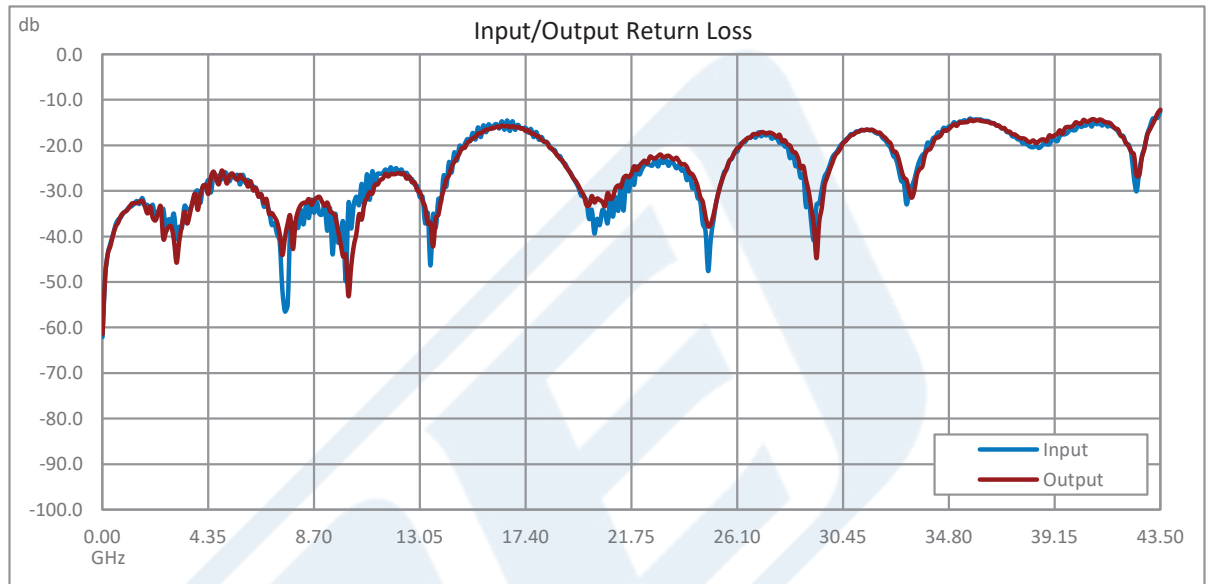
Click the following link (or enter part number in "SEARCH" on website) to obtain additional part information including price, inventory and certifications: [Transfer Electromechanical Relay Latching Switch, +COM, DC to 43 GHz, 10W, 28VDC, 2.92mm PE71S6580](#)



Transfer Electromechanical Relay Latching Switch,
+COM, DC to 43 GHz, 10W, 28VDC, 2.92mm

Electromechanical Relay Switches Technical Data

PE71S6580



Click the following link (or enter part number in "SEARCH" on website) to obtain additional part information including price, inventory and certifications: [Transfer Electromechanical Relay Latching Switch, +COM, DC to 43 GHz, 10W, 28VDC, 2.92mm PE71S6580](#)

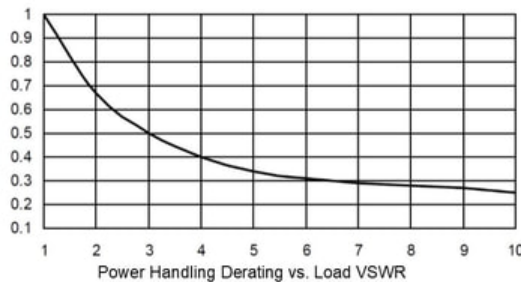
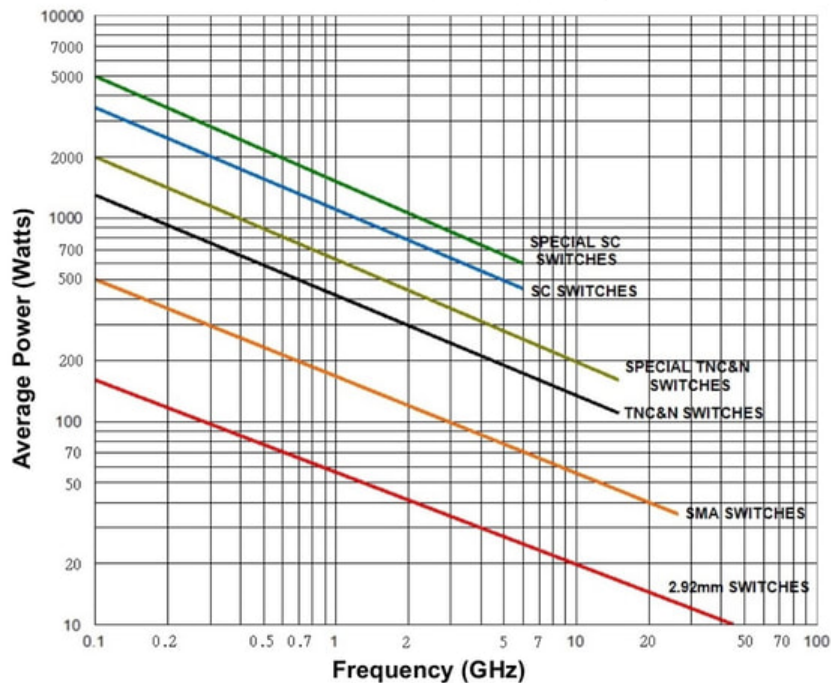


Transfer Electromechanical Relay Latching Switch,
+COM, DC to 43 GHz, 10W, 28VDC, 2.92mm

Electromechanical Relay Switches Technical Data

PE71S6580

Power Handling vs. Frequency



Power handling chart and derating curves based on the following conditions:

- Ambient temperature: 40°C or less
- Altitude: Sea level
- Load VSWR: 1.20:1 Maximum
- Relative Humidity: 40-50%
- Cold switching: RF signal off

Note: specifications subject to change without notice

Click the following link (or enter part number in "SEARCH" on website) to obtain additional part information including price, inventory and certifications: [Transfer Electromechanical Relay Latching Switch, +COM, DC to 43 GHz, 10W, 28VDC, 2.92mm PE71S6580](#)



Transfer Electromechanical Relay Latching Switch,
+COM, DC to 43 GHz, 10W, 28VDC, 2.92mm

Electromechanical Relay Switches Technical Data

PE71S6580

Transfer Electromechanical Relay Latching Switch, +COM, DC to 43 GHz, 10W, 28VDC, 2.92mm from Pasternack Enterprises has same day shipment for domestic and International orders. Our RF, microwave and millimeter wave products maintain a 99.4% availability and are part of the broadest selection in the industry.

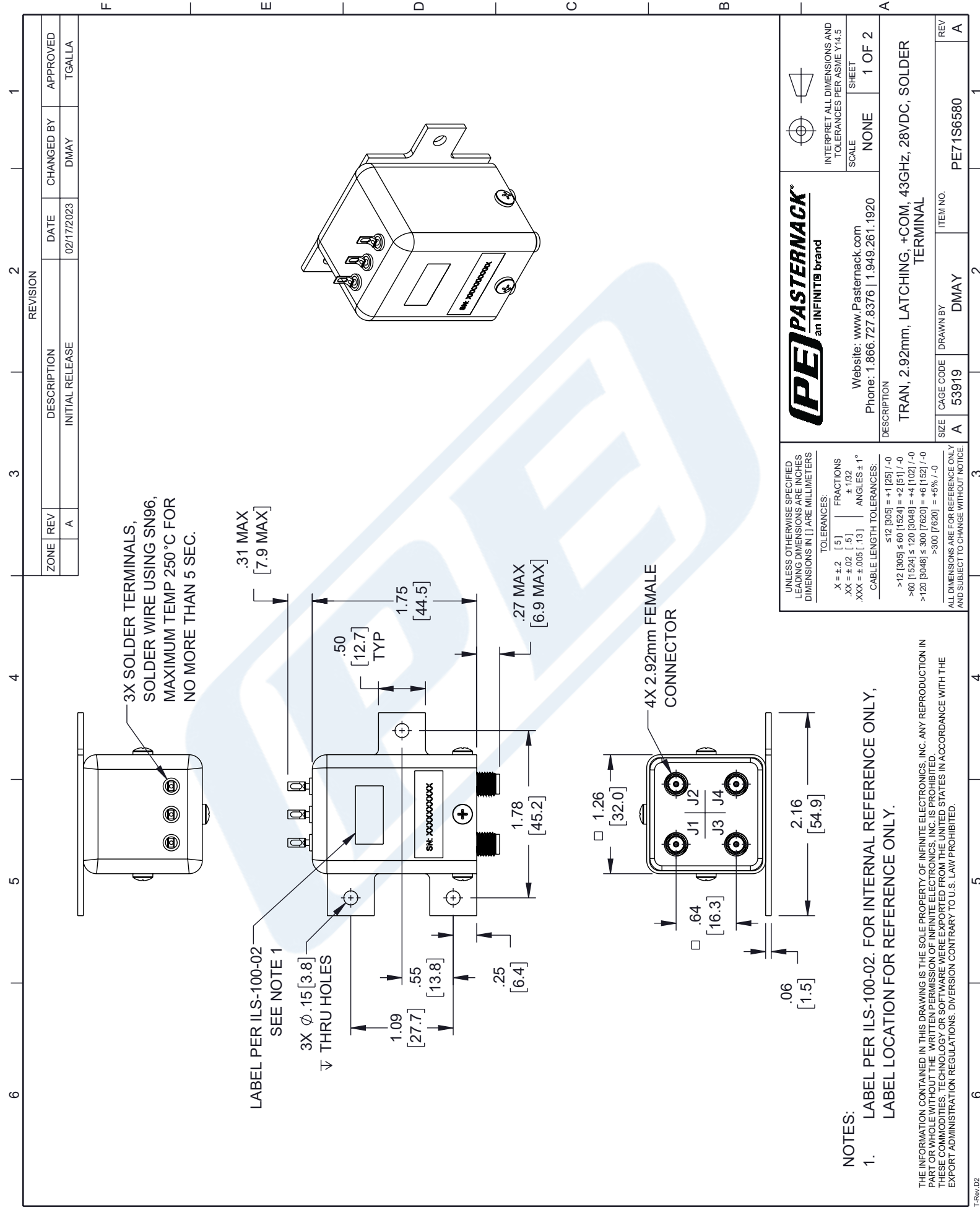
Click the following link (or enter part number in "SEARCH" on website) to obtain additional part information including price, inventory and certifications: [Transfer Electromechanical Relay Latching Switch, +COM, DC to 43 GHz, 10W, 28VDC, 2.92mm PE71S6580](https://www.pasternack.com/transfer-electromechanical-relay-latching-switch-43-ghz-28v-2.92mm-pe71s6580-p.aspx)

URL: <https://www.pasternack.com/transfer-electromechanical-relay-latching-switch-43-ghz-28v-2.92mm-pe71s6580-p.aspx>

The information contained in this document is accurate to the best of our knowledge and representative of the part described herein. It may be necessary to make modifications to the part and/or the documentation of the part, in order to implement improvements. Pasternack reserves the right to make such changes as required. Unless otherwise stated, all specifications are nominal. Pasternack does not make any representation or warranty regarding the suitability of the part described herein for any particular purpose, and Pasternack does not assume any liability arising out of the use of any part or documentation.

PE71S6580 CAD Drawing

Transfer Electromechanical Relay Latching Switch, +COM, DC to 43 GHz, 10W, 28VDC, 2.92mm



ZONE	REV	DESCRIPTION	DATE	CHANGED BY	APPROVED
A		INITIAL RELEASE	02/17/2023	DMAY	TGALLA

REVISION	
1	

UNLESS OTHERWISE SPECIFIED LEADING DIMENSIONS ARE INCHES DIMENSIONS IN [] ARE MILLIMETERS

TOLERANCES:
 X = ±.2 [5] FRACTIONS ±.1/32
 .XX = ±.02 [.5] ANGLES ± 1°
 .XXX = ±.005 [.13]

CABLE LENGTH TOLERANCES:
 ≤12 [305] = +1 [25] / -0
 >12 [305] ≤ 60 [1524] = +2 [51] / -0
 >60 [1524] ≤ 120 [3048] = +4 [102] / -0
 >120 [3048] ≤ 300 [7620] = +6 [152] / -0
 >300 [7620] = +5% / -0

ALL DIMENSIONS ARE FOR REFERENCE ONLY AND SUBJECT TO CHANGE WITHOUT NOTICE

PE PASTERNAK
an INFINITI® brand

Website: www.Pasternack.com
 Phone: 1.866.727.8376 | 1.949.261.1920

DESCRIPTION
 TRAN, 2.92mm, LATCHING, +COM, 43GHz, 28VDC, SOLDER TERMINAL

SCALE NONE SHEET 1 OF 2

INTERPRET ALL DIMENSIONS AND TOLERANCES PER ASME Y14.5

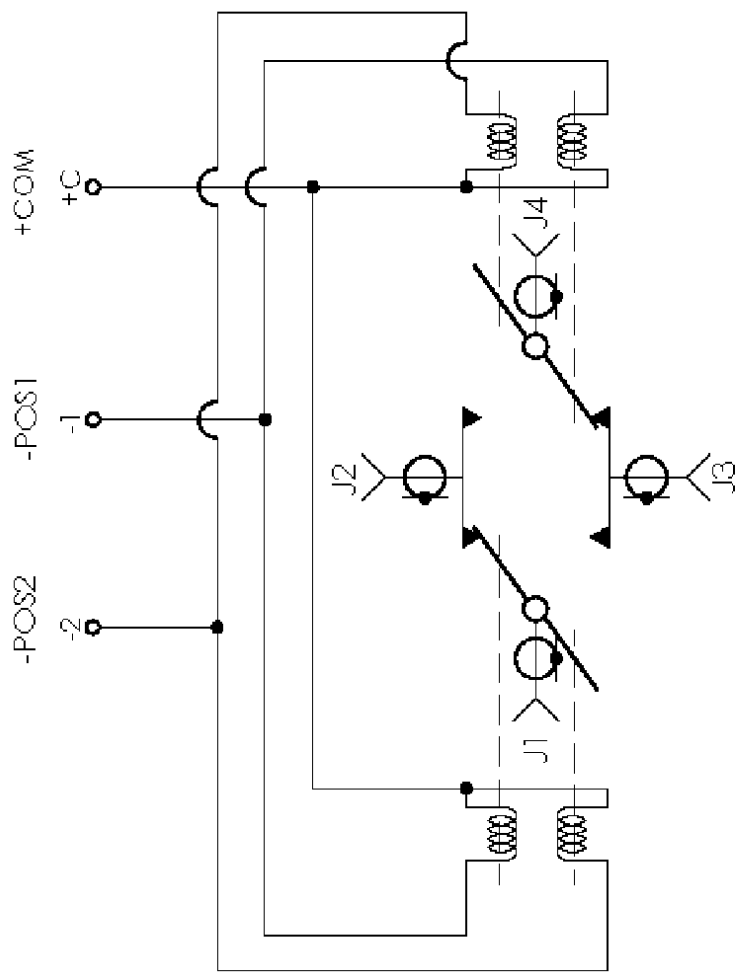
SIZE	CAGE CODE	DRAWN BY	ITEM NO.	REV
A	53919	DMAY	PE71S6580	A

NOTES:
 1. LABEL PER ILS-100-02, FOR INTERNAL REFERENCE ONLY, LABEL LOCATION FOR REFERENCE ONLY.

THE INFORMATION CONTAINED IN THIS DRAWING IS THE SOLE PROPERTY OF INFINITE ELECTRONICS, INC. ANY REPRODUCTION IN PART OR WHOLE WITHOUT THE WRITTEN PERMISSION OF INFINITE ELECTRONICS, INC. IS PROHIBITED. THESE COMMODITIES, TECHNOLOGY OR SOFTWARE WERE EXPORTED FROM THE UNITED STATES IN ACCORDANCE WITH THE EXPORT ADMINISTRATION REGULATIONS. DIVERSION CONTRARY TO U.S. LAW PROHIBITED.

PE71S6580 CAD Drawing

Transfer Electromechanical Relay Latching Switch, +COM, DC to 43 GHz, 10W, 28VDC, 2.92mm



POS	VOLTAGE	RF PATH
POS 1	1-C	J1-J2, J3-J4
POS 2	2-C	J1-J3, J2-J4

SCHEMATIC

UNLESS OTHERWISE SPECIFIED LEADING DIMENSIONS ARE INCHES DIMENSIONS IN [] ARE MILLIMETERS

TOLERANCES:
 X = ±.2 [.5] FRACTIONS
 .XX = ±.02 [.5] ±.1/32
 .XXX = ±.005 [.13] ANGLES ± 1°

CABLE LENGTH TOLERANCES:
 ≤12 [305] = +1[25] / -0
 >12 [305] ≤60 [1524] = +2[51] / -0
 >60 [1524] ≤120 [3048] = +4 [102] / -0
 >120 [3048] ≤300 [7620] = +6 [152] / -0
 >300 [7620] = +5% / -0

ALL DIMENSIONS ARE FOR REFERENCE ONLY AND SUBJECT TO CHANGE WITHOUT NOTICE



Website: www.Pasternack.com
 Phone: 1.866.727.8376 | 1.949.261.1920

DESCRIPTION
 TRAN, 2.92mm, LATCHING, +COM, 43GHz, 28VDC, SOLDER TERMINAL

SIZE A CAGE CODE 53919 DRAWN BY DMAY ITEM NO. PE71S6580 REV A



INTERPRET ALL DIMENSIONS AND TOLERANCES PER ASME Y14.5
 SCALE NONE
 SHEET 2 OF 2

THE INFORMATION CONTAINED IN THIS DRAWING IS THE SOLE PROPERTY OF INFINITE ELECTRONICS, INC. ANY REPRODUCTION IN PART OR WHOLE WITHOUT THE WRITTEN PERMISSION OF INFINITE ELECTRONICS, INC. IS PROHIBITED. THESE COMMODITIES, TECHNOLOGY OR SOFTWARE WERE EXPORTED FROM THE UNITED STATES IN ACCORDANCE WITH THE EXPORT ADMINISTRATION REGULATIONS. DIVERSION CONTRARY TO U.S. LAW PROHIBITED.