



Transfer Electromechanical Relay Failsafe Switch  
 DC to 12.4 GHz, 2M Lifecycles, TNC, 50 Watts,  
 28V, Indicators, TTL, Diodes, Solder Pins

## Electromechanical Relay Switches Technical Data Sheet

**PE71S6512**

### Features

- Transfer Electromechanical Relay Switch
- DC to 12 GHz Frequency Range
- Failsafe Actuator
- TTL Logic Control
- Suppression Diodes
- Indicators
- 2M Lifecycle Rating
- Insertion Loss 0.2 dB typ
- Isolation > 80 dB typ
- VSWR as low as 1.2:1 max
- +28 Volt DC Bias
- Solder Terminal Pins for DC Command Control
- TNC Female Connectors
- -25°C to +65°C Operating Temperature
- Up to 50 Watt Average Power Handling
- 50 Ohm Design
- Hot Switching Capability - Consult Factory
- S-Parameter Data available upon request
- Rugged Design meets Mil-STD-202 Test Conditions

### Applications

- Aerospace & Defense
- Test & Measurement
- Microwave Radio Systems
- Military & Commercial Communication Systems
- Research & Development
- SATCOM
- Wireless Communications
- Enterprise
- IoT

### Description

The PE71S6512 is a Transfer electromechanical relay switch that operates across a wide frequency range From DC to 12 GHz and can handle up to 50W of average power in a break before make condition. The design is rated for 2 million lifecycles and features a Failsafe Actuator. Additional features include TTL control logic, suppression diodes which limit voltage spikes or reverse current, and indicators to monitor the switch position. Impressive typical performance includes 0.2 dB insertion loss and isolation greater than 80 dB. This switch requires +28 Vdc bias voltage and operates over a temperature range of -25°C to +65°C. The rugged and compact package assembly supports TNC female connectors and Solder Pins for DC command control functions. And for highly reliable operation, the model is guaranteed to meet MIL-STD-202 environmental test conditions for shock and random vibration.

### Electrical Specifications (TA = +25°C, DC Voltage = +28 Vdc)

Switch Type	Transfer
Actuator Type	Failsafe
Actuator Options	Indicators, TTL Logic
TTL Control	on: 2.4 to 5.5 Volts off: 0 to 0.8 Volts

Description	Minimum	Typical	Maximum	Units
Frequency Range	DC		12.4	GHz
Operating Voltage		+28		Volts
Actuating Set Current @ +28 Volts			160	mA
VSWR		1.3:1	1.7:1	
Insertion Loss		0.2	0.6	dB
Isolation	60	80		dB

Click the following link (or enter part number in "SEARCH" on website) to obtain additional part information including price, inventory and certifications: [Transfer Electromechanical Relay Failsafe Switch DC to 12.4 GHz, 2M Lifecycles, TNC, 50 Watts, 28V, Indicators, TTL, Diodes, Solder Pins PE71S6512](#)



Transfer Electromechanical Relay Failsafe Switch  
DC to 12.4 GHz, 2M Lifecycles, TNC, 50 Watts,  
28V, Indicators, TTL, Diodes, Solder Pins

## Electromechanical Relay Switches Technical Data

**PE71S6512**

Input Power (CW) (at 12.4 GHz)	50	Watts
-----------------------------------	----	-------

### Performance by Frequency

Description	F1	F2	F3	F4	F5	Units
Frequency Range	DC to 2	2 to 4	4 to 8	8 to 12		GHz
VSWR, Max	1.2:1	1.3:1	1.5:1	1.7:1		
Insertion Loss, Max	0.2	0.4	0.5	0.6		dB
Isolation, Min	80	80	70	60		dB

### Mechanical Specifications

#### Size

Length	2.52 in [64.01 mm]
Width/Diameter	3.12 in [79.25 mm]
Height	1.75 in [44.45 mm]
Weight	0.35 lbs [158.76 g]

#### Connectors

RF Connector Type	TNC Female
-------------------	------------

### Environmental Specifications

#### Temperature

Operating Range	-25 to +65 deg C
Storage Range	-55 to +100 deg C

Shock	MIL-STD-202 Method 213, Condition D, 500G (non oper)
-------	--

Vibration	MIL-STD-202 Method 204, Condition D, 10G RMS (non oper)
-----------	---

**Compliance Certifications** (see [product page](#) for current document)

### Plotted and Other Data

Notes:

Click the following link (or enter part number in "SEARCH" on website) to obtain additional part information including price, inventory and certifications: [Transfer Electromechanical Relay Failsafe Switch DC to 12.4 GHz, 2M Lifecycles, TNC, 50 Watts, 28V, Indicators, TTL, Diodes, Solder Pins PE71S6512](#)

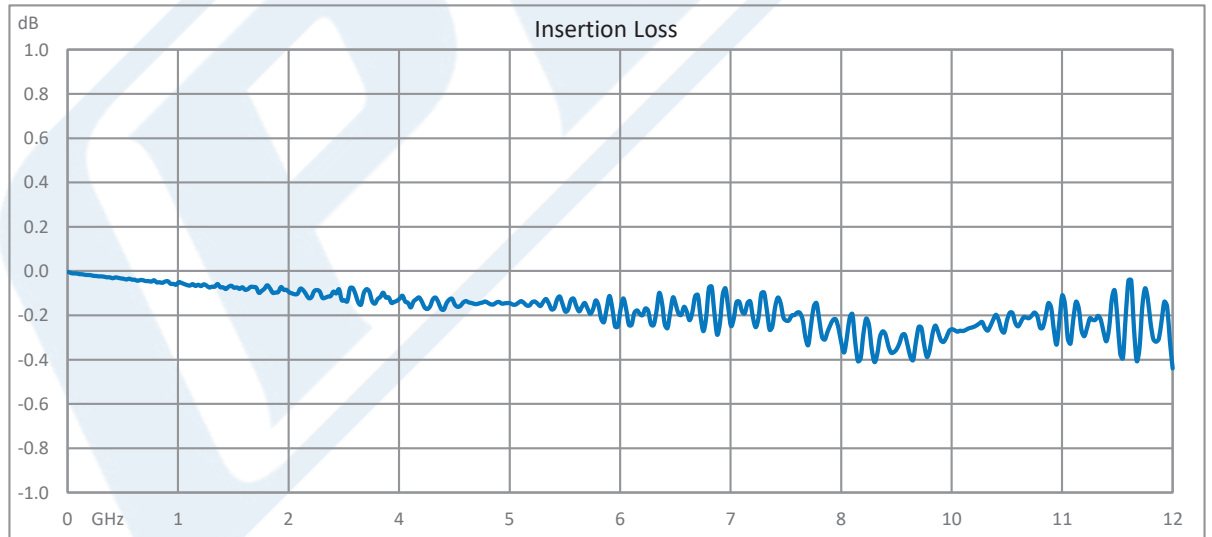
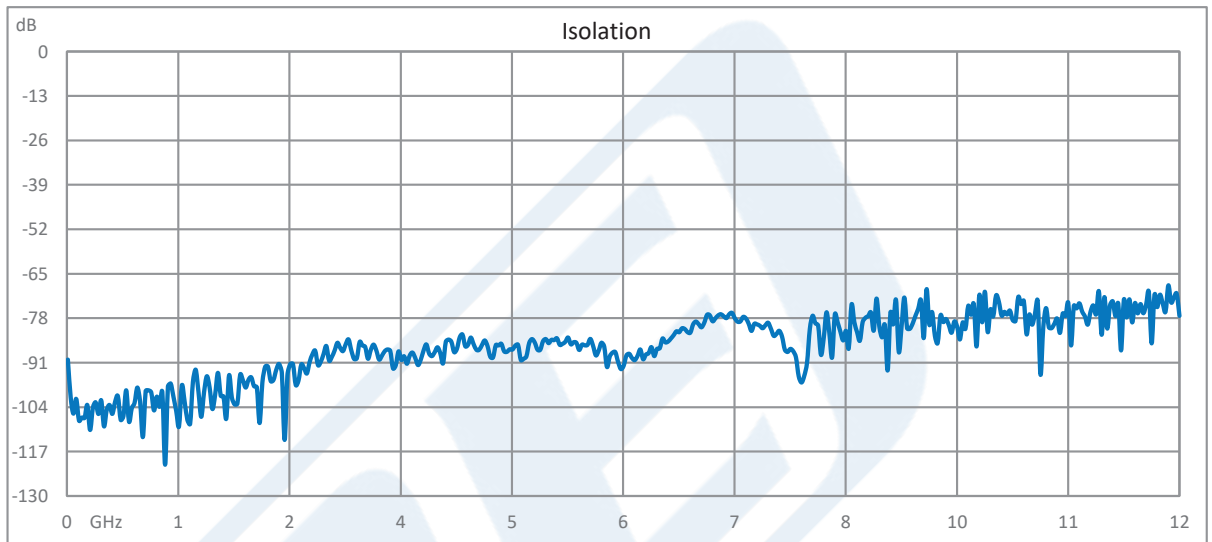


Transfer Electromechanical Relay Failsafe Switch  
DC to 12.4 GHz, 2M Lifecycles, TNC, 50 Watts,  
28V, Indicators, TTL, Diodes, Solder Pins

**Electromechanical Relay Switches Technical Data**

**PE71S6512**

**Typical Performance Data**



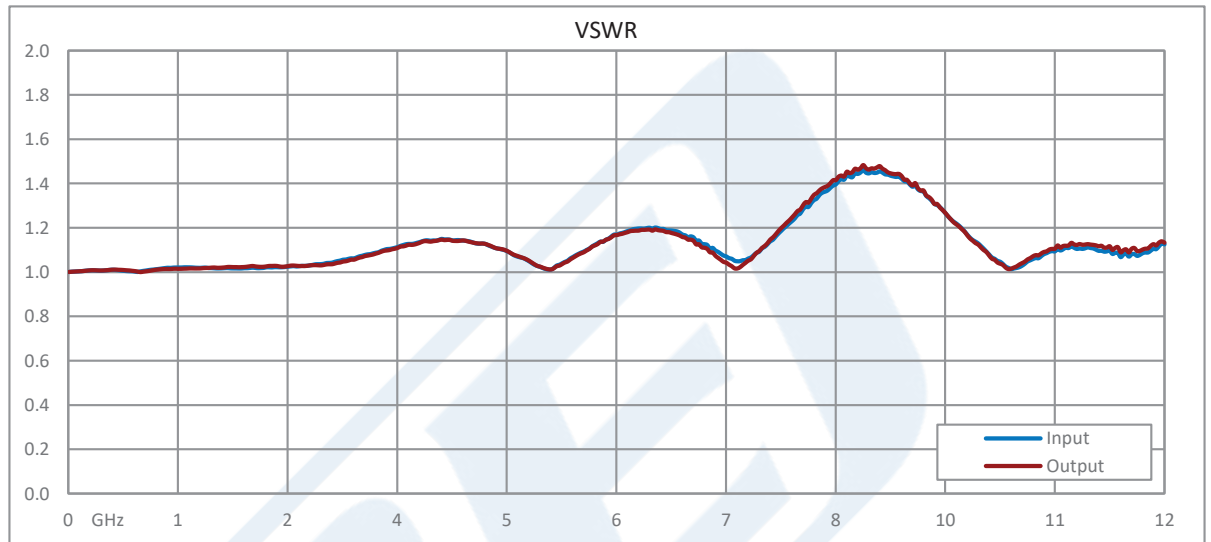
Click the following link (or enter part number in "SEARCH" on website) to obtain additional part information including price, inventory and certifications: [Transfer Electromechanical Relay Failsafe Switch DC to 12.4 GHz, 2M Lifecycles, TNC, 50 Watts, 28V, Indicators, TTL, Diodes, Solder Pins PE71S6512](#)



Transfer Electromechanical Relay Failsafe Switch  
DC to 12.4 GHz, 2M Lifecycles, TNC, 50 Watts,  
28V, Indicators, TTL, Diodes, Solder Pins

## Electromechanical Relay Switches Technical Data

**PE71S6512**



Click the following link (or enter part number in "SEARCH" on website) to obtain additional part information including price, inventory and certifications: [Transfer Electromechanical Relay Failsafe Switch DC to 12.4 GHz, 2M Lifecycles, TNC, 50 Watts, 28V, Indicators, TTL, Diodes, Solder Pins PE71S6512](#)

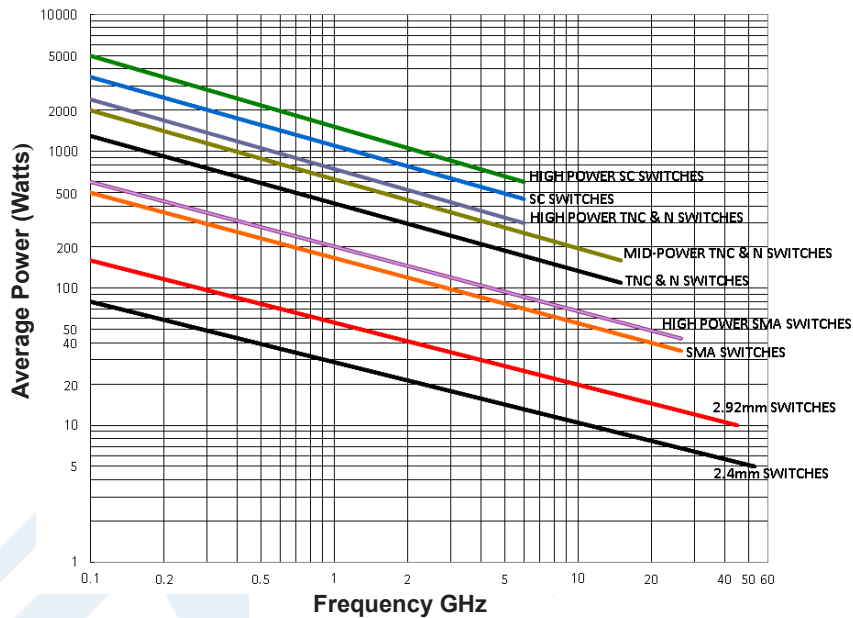


Transfer Electromechanical Relay Failsafe Switch  
DC to 12.4 GHz, 2M Lifecycles, TNC, 50 Watts,  
28V, Indicators, TTL, Diodes, Solder Pins

**Electromechanical Relay Switches Technical Data**

**PE71S6512**

**Power Handling vs. Frequency**



**Power Handling De-rating vs. Load VSWR**



Power Handling Chart and Derating Curves based on the following Test and Environmental Conditions:  
 Ambient temperature: 20-25°C  
 Altitude: Sea Level to 1,000 feet  
 Relative Humidity: 50-55%  
 Load VSWR: ≤ 1.20:1  
 Operation: Cold Switching

Click the following link (or enter part number in "SEARCH" on website) to obtain additional part information including price, inventory and certifications: [Transfer Electromechanical Relay Failsafe Switch DC to 12.4 GHz, 2M Lifecycles, TNC, 50 Watts, 28V, Indicators, TTL, Diodes, Solder Pins PE71S6512](#)



Transfer Electromechanical Relay Failsafe Switch  
DC to 12.4 GHz, 2M Lifecycles, TNC, 50 Watts,  
28V, Indicators, TTL, Diodes, Solder Pins

## Electromechanical Relay Switches Technical Data

**PE71S6512**

Transfer Electromechanical Relay Failsafe Switch DC to 12.4 GHz, 2M Lifecycles, TNC, 50 Watts, 28V, Indicators, TTL, Diodes, Solder Pins from Pasternack Enterprises has same day shipment for domestic and International orders. Our RF, microwave and millimeter wave products maintain a 99.4% availability and are part of the broadest selection in the industry.

Click the following link (or enter part number in "SEARCH" on website) to obtain additional part information including price, inventory and certifications: [Transfer Electromechanical Relay Failsafe Switch DC to 12.4 GHz, 2M Lifecycles, TNC, 50 Watts, 28V, Indicators, TTL, Diodes, Solder Pins PE71S6512](https://www.pasternack.com/transfer-electromechanical-relay-failsafe-switch-12.4-ghz-50w-28v-indicators-ttl-tnc-pe71s6512-p.aspx)

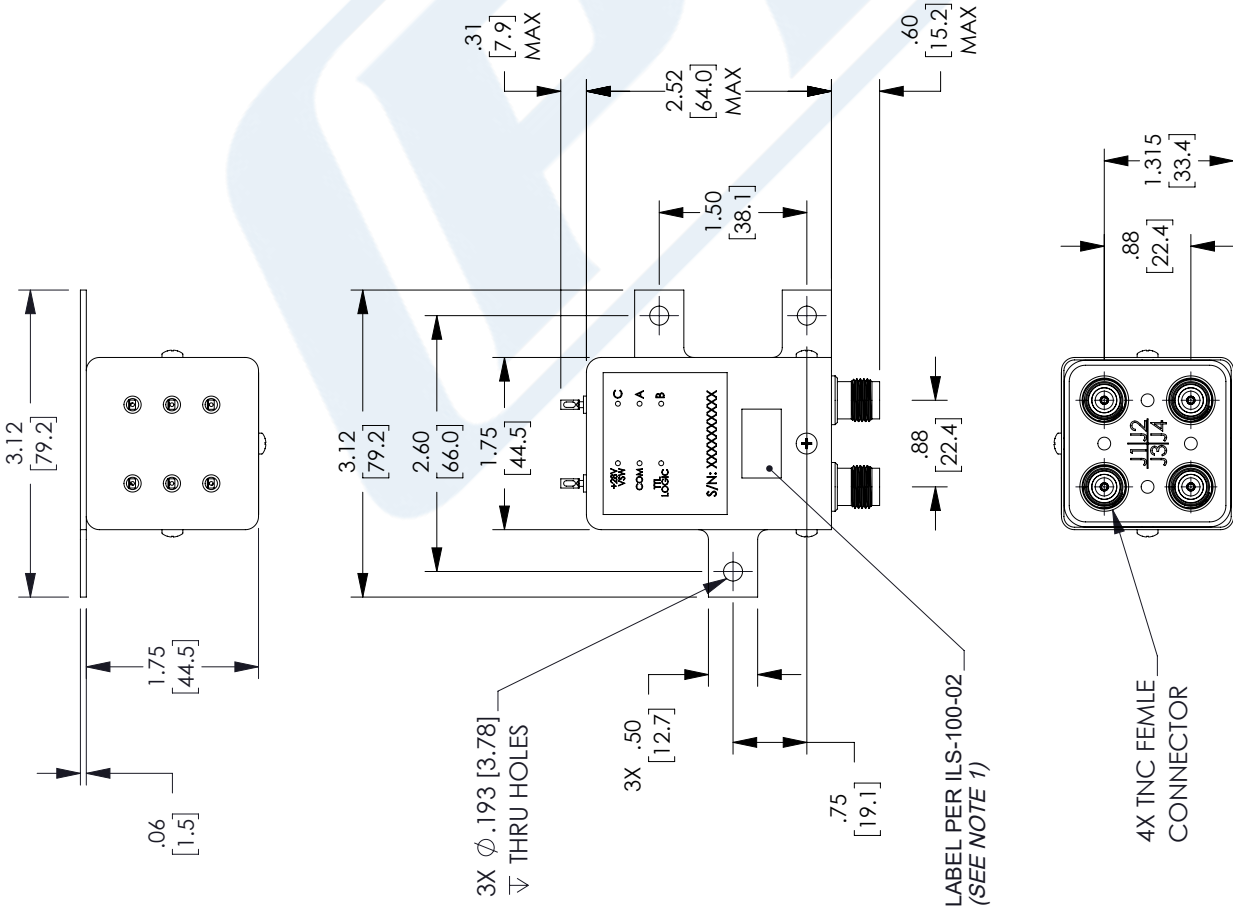
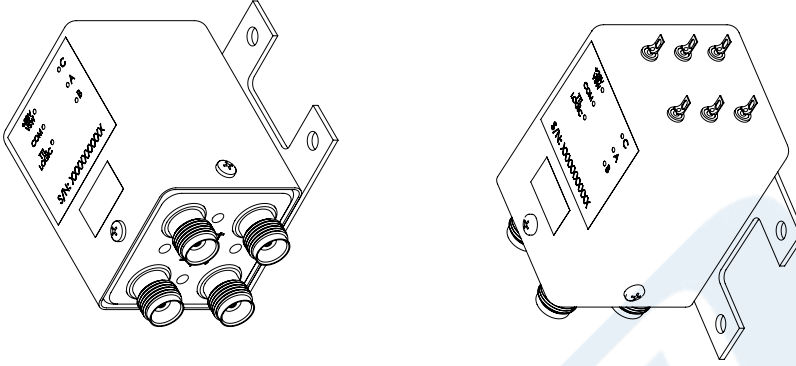
URL: <https://www.pasternack.com/transfer-electromechanical-relay-failsafe-switch-12.4-ghz-50w-28v-indicators-ttl-tnc-pe71s6512-p.aspx>

The information contained in this document is accurate to the best of our knowledge and representative of the part described herein. It may be necessary to make modifications to the part and/or the documentation of the part, in order to implement improvements. Pasternack reserves the right to make such changes as required. Unless otherwise stated, all specifications are nominal. Pasternack does not make any representation or warranty regarding the suitability of the part described herein for any particular purpose, and Pasternack does not assume any liability arising out of the use of any part or documentation.

# PE71S6512 CAD Drawing

Transfer Electromechanical Relay Failsafe Switch DC to 12.4 GHz, 2M Lifecycles, TNC, 50 Watts, 28V, Indicators, TTL, Diodes, Solder Pins

REVISIONS			
REV.	DESCRIPTION	DATE	APPROVED
A	INITIAL RELEASE	05/17/2022	T. GALLA



UNLESS OTHERWISE SPECIFIED LEADING DIMENSIONS ARE INCHES DIMENSIONS IN [ ] ARE MILLIMETERS

TOLERANCES:

.X = ±.2	[5.08]	FRACTIONS
.XX = ±.02	[.51]	± 1/32
.XXX = ±.005	[.13]	ANGLES ± 1°

CABLE LENGTH (L) TOLERANCES:

L ≤ 12	[305]	= +1 [25] / -0
12 [305] < L ≤ 60	[1524]	= +2 [51] / -0
60 [1524] < L ≤ 120	[3048]	= +4 [102] / -0
120 [3048] < L ≤ 300	[7620]	= +6 [152] / -0
300 [7620] < L		= +5%L / -0

ALL DIMENSIONS SHOWN ARE FOR REFERENCE ONLY.

**PE PASTERNAK**  
an INFINITE brand

Pasternack Enterprises, Inc.  
P. O. Box 16759, Irvine, CA 92623.  
Phone: 1.949.261.1920 | 1.866.727.8376  
Fax: 1.949.261.7451  
Website: www.pasternack.com  
E-mail: sales@pasternack.com

THIRD-ANGLE PROJECTION

THE INFORMATION AND DESIGN IN THIS DOCUMENT IS THE PROPERTY OF PASTERNAK CORPORATION. ALL RIGHTS RESERVED.

SHEET 1 OF 2  
SCALE N/A

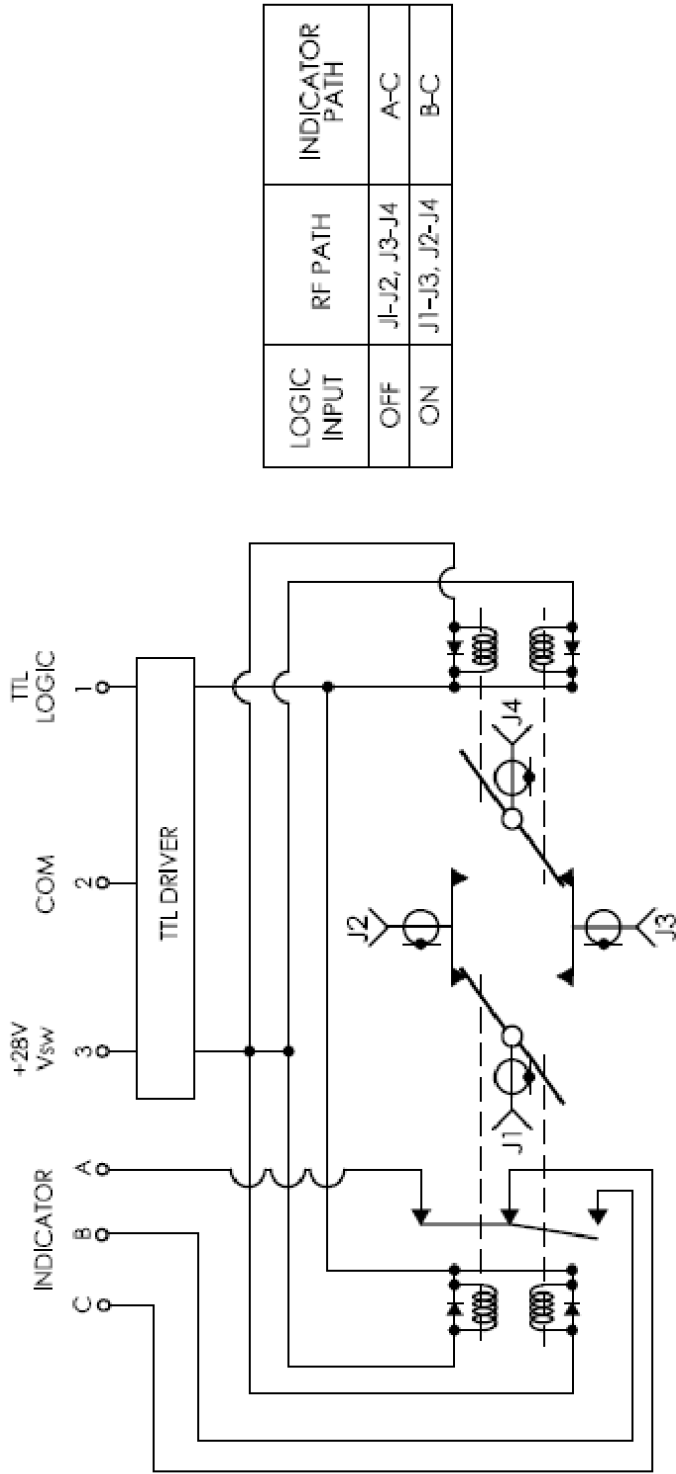
SIZE	CAGE CODE	DRAWN BY	ITEM NO.
A	53919	KGLEBOVA	PE71S6512
REV			A

- NOTES:
- LABEL PER ILS-100-02. FOR INTERNAL REFERENCE ONLY.  
LABEL LOCATION FOR REFERENCE ONLY.

THESE COMMODITIES, TECHNOLOGY OR SOFTWARE WERE EXPORTED FROM THE UNITED STATES IN ACCORDANCE WITH THE EXPORT ADMINISTRATION REGULATIONS. DIVERSION CONTRARY TO U.S. LAW PROHIBITED.

# PE71S6512 CAD Drawing

Transfer Electromechanical Relay Failsafe Switch DC to 12.4 GHz, 2M Lifecycles, TNC, 50 Watts, 28V, Indicators, TTL, Diodes, Solder Pins



LOGIC INPUT	RF PATH	INDICATOR PATH
OFF	J1-J2, J3-J4	A-C
ON	J1-J3, J2-J4	B-C

## SCHEMATIC

UNLESS OTHERWISE SPECIFIED LEADING DIMENSIONS ARE INCHES DIMENSIONS IN [ ] ARE MILLIMETERS

TOLERANCES:

.X = ±.2 [5.08] FRACTIONS  
 .XX = ±.02 [.51] ±.1/32  
 .XXX = ±.005 [.13] ANGLES ± 1°

CABLE LENGTH (L) TOLERANCES:

L ≤ 12 [305] = +1 [25] / -0  
 12 [305] < L ≤ 60 [1524] = +2 [51] / -0  
 60 [1524] < L ≤ 120 [3048] = +4 [102] / -0  
 120 [3048] < L ≤ 300 [7620] = +6 [152] / -0  
 300 [7620] < L = +5%L / -0

ALL DIMENSIONS SHOWN ARE FOR REFERENCE ONLY.

**PE PASTERNAK**  
 an INFINITI<sup>®</sup> brand

Pasternack Enterprises, Inc.  
 P. O. Box 16759, Irvine, CA 92623.  
 Phone: 1.949.261.1920 | 1.866.727.8376  
 Fax: 1.949.261.7451  
 Website: www.pasternack.com  
 E-mail: sales@pasternack.com

ITEM NO. PE71S6512  
 DRAWN BY KGLEBOVA  
 SIZE A CAGE CODE 53919

THIRD-ANGLE PROJECTION

THE INFORMATION AND DESIGN IN THIS DOCUMENT IS THE PROPERTY OF PASTERNAK CORPORATION ALL RIGHTS RESERVED.

SHEET 2 OF 2  
 SCALE N/A

REV A