



SPDT Electromechanical Relay Failsafe Switch, Terminated, DC to 26.5 GHz, up to 90W, 2M Lifecycles, 12V, TTL, Indicators, SMA

Electromechanical Relay Switches Technical Data Sheet

PE71S6468

Features

- Single Pole Double Throw Electromechanical Relay Switch
- DC to 26.5 GHz Frequency Range
- Failsafe Actuator
- TTL Logic Control
- Indicators
- 2M Lifecycle Rating
- Insertion Loss 0.3 dB typ
- Isolation > 80 dB typ
- Internally Terminated
- VSWR as low as 1.2:1 max
- +12 Volt DC Bias
- Solder Terminal Pins for DC Command Control
- SMA Female Connectors
- -25°C to +65°C Operating Temperature
- Up to 90 Watt Average Power Handling
- 50 Ohm Design
- Hot Switching Capability - Consult Factory
- S-Parameter Data available upon request
- Rugged Design meets Mil-STD-202 Test Conditions

Applications

- Aerospace & Defense
- Test & Measurement
- Microwave Radio Systems
- Military & Commercial Communication Systems
- Research & Development
- SATCOM
- Wireless Communications
- Enterprise
- IoT

Description

The PE71S6468 is a Single Pole Double Throw (SP2T) electromechanical relay switch that operates across a wide frequency range of DC to 26.5 GHz and can handle up to 90W of Average power in a break before make condition. The design is rated for 2 million lifecycles and features a Failsafe Actuator. The output port is terminated in 50 ohms when switched in the isolation (off) state. Additional features include TTL control logic, and indicators. Impressive typical performance includes 0.3 dB insertion loss and isolation greater than 80 dB. This switch requires +12Vdc bias voltage and operates over a temperature range of -25°C to +65°C. The rugged and compact package assembly supports SMA female connectors and solder terminal pins for DC command control functions. And for highly reliable operation, the model is guaranteed to meet MIL-STD-202 environmental test conditions for shock and random vibration.

Electrical Specifications

Switch Type	SPDT, Terminated
Actuator Type	Failsafe
Switching Sequence	Break Before Make
Actuator Options	Indicators, TTL Logic
TTL Control	on: 2.4 to 5.5 Volts off: 0 to 0.8 Volts

Description	Minimum	Typical	Maximum	Units
Frequency Range	DC		26.5	GHz
Impedance		50		Ohms
Operating Voltage	11	12	13	Volts
Actuating Set Current @ 12 Volts			420	mA
VSWR		1.3:1	1.7:1	

Click the following link (or enter part number in "SEARCH" on website) to obtain additional part information including price, inventory and certifications: [SPDT Electromechanical Relay Failsafe Switch, Terminated, DC to 26.5 GHz, up to 90W, 2M Lifecycles, 12V, TTL, Indicators, SMA PE71S6468](#)



SPDT Electromechanical Relay Failsafe Switch, Terminated, DC to 26.5 GHz, up to 90W, 2M Lifecycles, 12V, TTL, Indicators, SMA

Electromechanical Relay Switches Technical Data

PE71S6468

Insertion Loss		0.3	0.6	dB
Isolation	50	80		dB
Switching Time			20	ms Max

Performance by Frequency

Description	F1	F2	F3	F4	F5	Units
Frequency Range	DC to 6	6 to 12	12 to 18	18 to 26.5		GHz
VSWR, Max	1.2:1	1.3:1	1.4:1	1.7:1		
Insertion Loss, Max	0.15	0.25	0.35	0.6		dB
Isolation, Min	80	70	60	50		dB

Mechanical Specifications

Size

Length	1.85 in [46.99 mm]
Width/Diameter	2.25 in [57.15 mm]
Height	0.56 in [14.22 mm]
Finish	NICKEL
Package Type	Connectorized
Operating Life	2,000,000 Cycles

Connectors

RF Connector Type	SMA Female
-------------------	------------

Environmental Specifications

Temperature

Operating Range	-25 to +65 deg C
Storage Range	-55 to +100 deg C

Humidity	Moisture resistant or immersion sealing available
Shock	MIL-STD-202 Method 213, Condition D, 500G (non oper)
Vibration	MIL-STD-202 Method 214, Condition D, 10G RMS (non oper)

Compliance Certifications (see [product page](#) for current document)

Plotted and Other Data

Notes:

Click the following link (or enter part number in "SEARCH" on website) to obtain additional part information including price, inventory and certifications: [SPDT Electromechanical Relay Failsafe Switch, Terminated, DC to 26.5 GHz, up to 90W, 2M Lifecycles, 12V, TTL, Indicators, SMA PE71S6468](#)

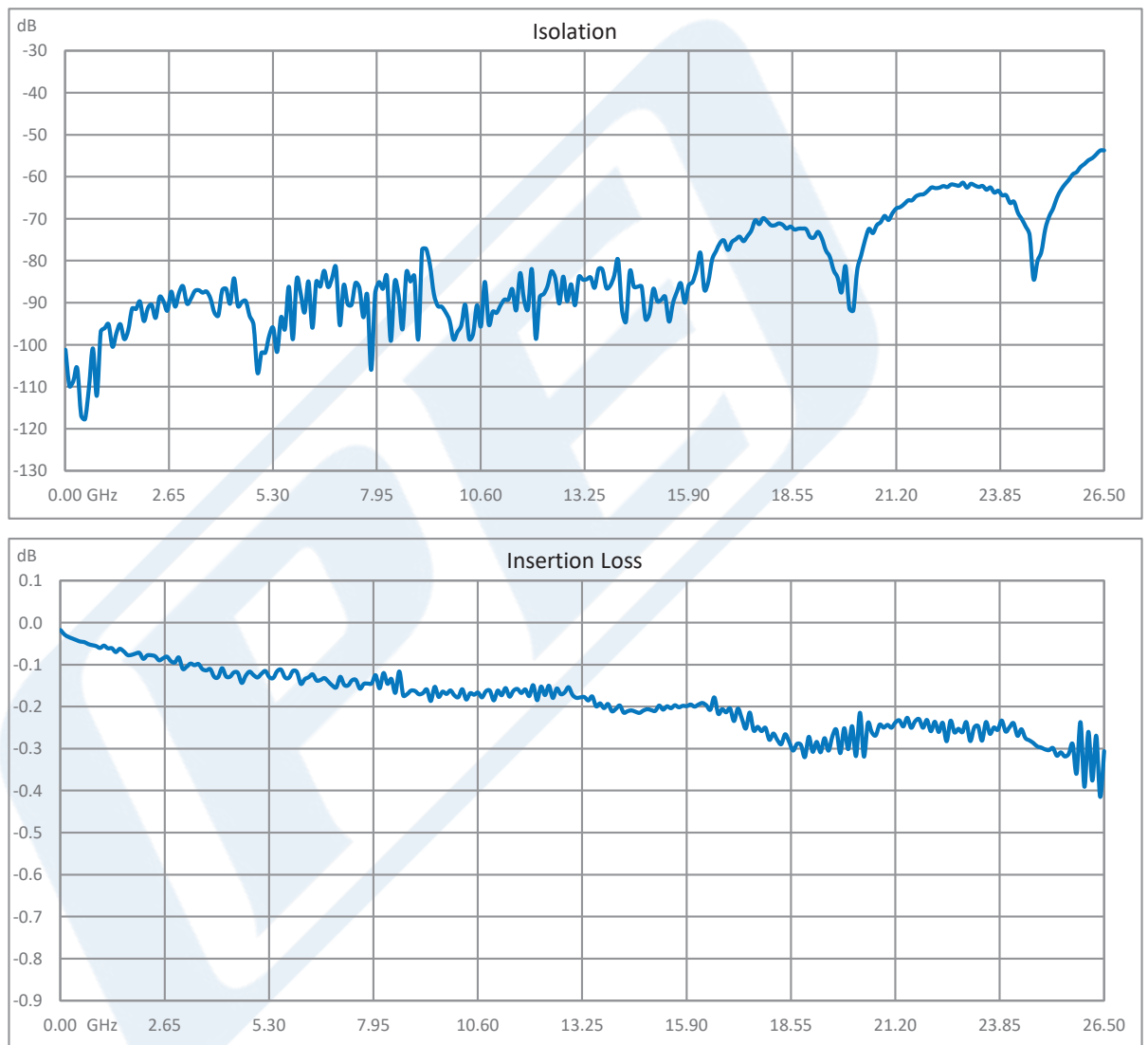


SPDT Electromechanical Relay Failsafe Switch, Terminated, DC to 26.5 GHz, up to 90W, 2M Lifecycles, 12V, TTL, Indicators, SMA

Electromechanical Relay Switches Technical Data

PE71S6468

Typical Performance Data



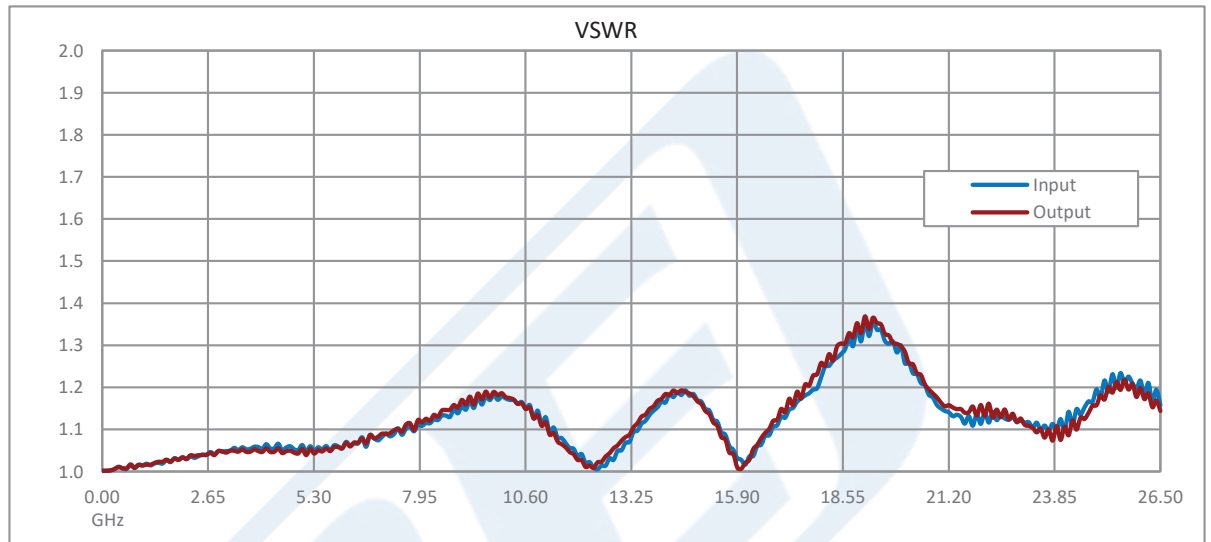
Click the following link (or enter part number in "SEARCH" on website) to obtain additional part information including price, inventory and certifications: [SPDT Electromechanical Relay Failsafe Switch, Terminated, DC to 26.5 GHz, up to 90W, 2M Lifecycles, 12V, TTL, Indicators, SMA PE71S6468](#)



SPDT Electromechanical Relay Failsafe Switch, Terminated, DC to 26.5 GHz, up to 90W, 2M Lifecycles, 12V, TTL, Indicators, SMA

Electromechanical Relay Switches Technical Data

PE71S6468



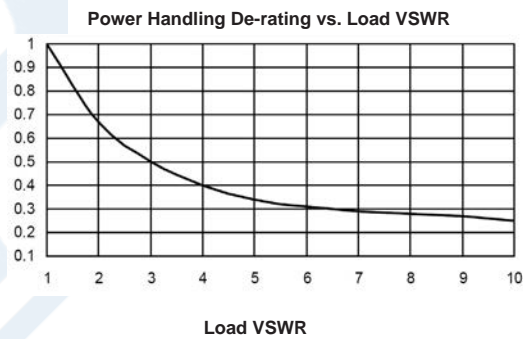
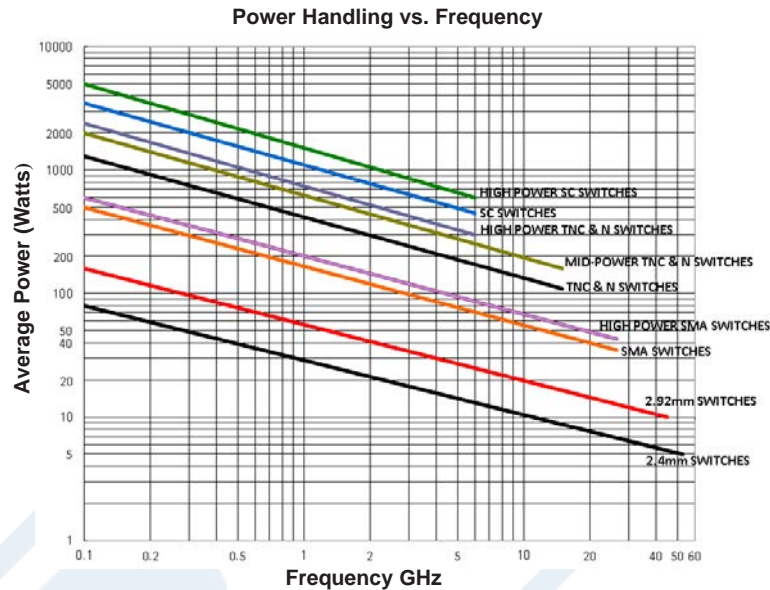
Click the following link (or enter part number in "SEARCH" on website) to obtain additional part information including price, inventory and certifications: [SPDT Electromechanical Relay Failsafe Switch, Terminated, DC to 26.5 GHz, up to 90W, 2M Lifecycles, 12V, TTL, Indicators, SMA PE71S6468](#)



SPDT Electromechanical Relay Failsafe Switch, Terminated, DC to 26.5 GHz, up to 90W, 2M Lifecycles, 12V, TTL, Indicators, SMA

Electromechanical Relay Switches Technical Data

PE71S6468



Power Handling Chart and Derating Curves based on the following Test and Environmental Conditions:
 Ambient temperature: 20 - 25°C
 Altitude: Sea Level to 1,000 feet
 Relative Humidity: 50 - 55%
 Load VSWR: ≤ 1.20:1
 Operation: Cold Switching

Click the following link (or enter part number in "SEARCH" on website) to obtain additional part information including price, inventory and certifications: [SPDT Electromechanical Relay Failsafe Switch, Terminated, DC to 26.5 GHz, up to 90W, 2M Lifecycles, 12V, TTL, Indicators, SMA PE71S6468](#)



SPDT Electromechanical Relay Failsafe Switch, Terminated, DC to 26.5 GHz, up to 90W, 2M Lifecycles, 12V, TTL, Indicators, SMA

Electromechanical Relay Switches Technical Data

PE71S6468

SPDT Electromechanical Relay Failsafe Switch, Terminated, DC to 26.5 GHz, up to 90W, 2M Lifecycles, 12V, TTL, Indicators, SMA from Pasternack Enterprises has same day shipment for domestic and International orders. Our RF, microwave and millimeter wave products maintain a 99.4% availability and are part of the broadest selection in the industry.

Click the following link (or enter part number in "SEARCH" on website) to obtain additional part information including price, inventory and certifications: [SPDT Electromechanical Relay Failsafe Switch, Terminated, DC to 26.5 GHz, up to 90W, 2M Lifecycles, 12V, TTL, Indicators, SMA PE71S6468](https://www.pasternack.com/spdt-electromechanical-relay-failsafe-switch-terminated-26.5-ghz-up-to-90w-2m-lifecycles-12v-ttl-indicators-sma-pe71s6468)

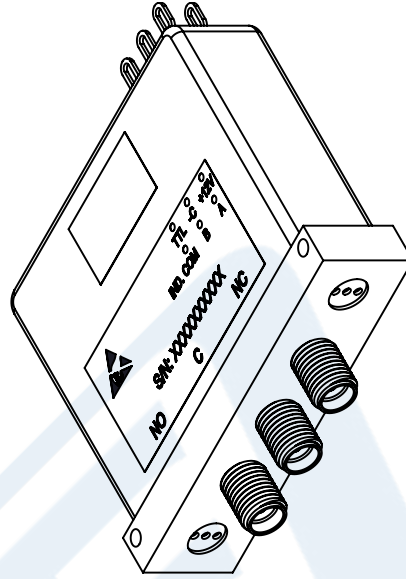
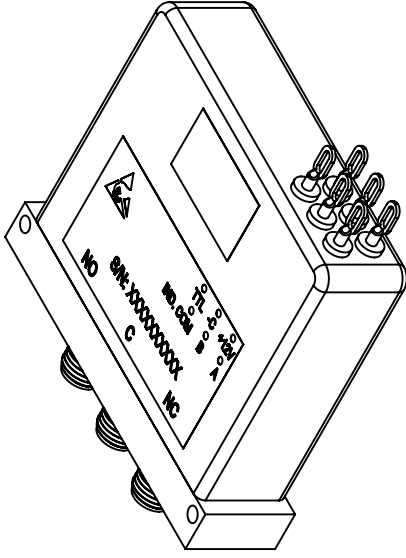
URL: <https://www.pasternack.com/spdt-electromechanical-relay-failsafe-switch-terminated-26.5-ghz-12v-indicators-ttl-sma-pe71s6468-p.aspx>

The information contained in this document is accurate to the best of our knowledge and representative of the part described herein. It may be necessary to make modifications to the part and/or the documentation of the part, in order to implement improvements. Pasternack reserves the right to make such changes as required. Unless otherwise stated, all specifications are nominal. Pasternack does not make any representation or warranty regarding the suitability of the part described herein for any particular purpose, and Pasternack does not assume any liability arising out of the use of any part or documentation.

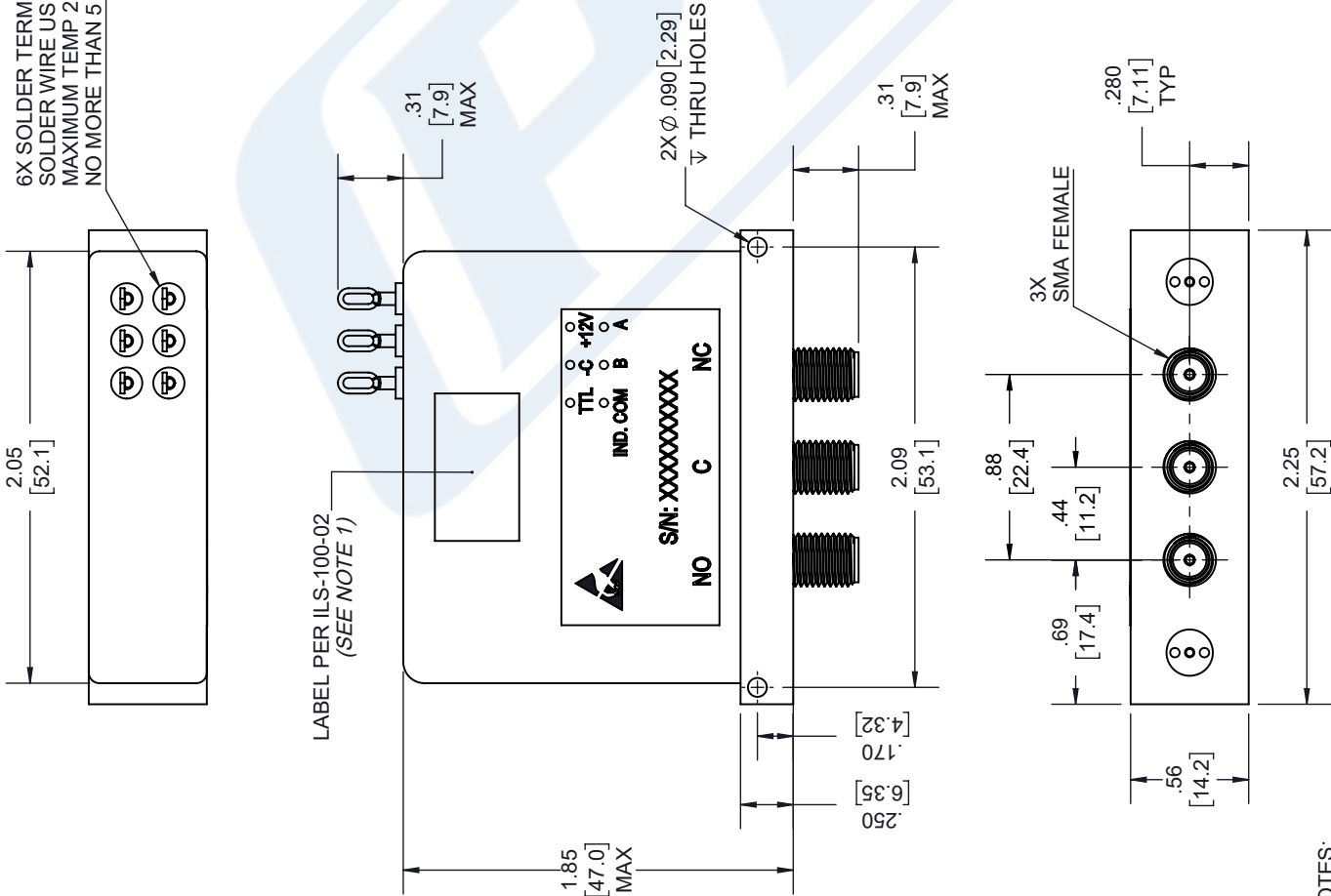
PE71S6468 CAD Drawing

SPDT Electromechanical Relay Failsafe Switch, Terminated, DC to 26.5 GHz, up to 90W, 2M Lifecycles, 12V, TTL, Indicators, SMA

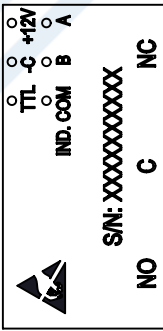
REVISIONS			
REV.	DESCRIPTION	DATE	APPROVED
A	INITIAL RELEASE	2/2/2021	T.GALLA



6X SOLDER TERMINALS,
SOLDER WIRE USING SN96
MAXIMUM TEMP 250 °C FOR
NO MORE THAN 5 SEC.



LABEL PER ILS-100-02
(SEE NOTE 1)



3X SMA FEMALE

NOTES:

1. LABEL PER ILS-100-02. FOR INTERNAL REFERENCE ONLY. LABEL LOCATION FOR REFERENCE ONLY.

THESE COMMODITIES, TECHNOLOGY OR SOFTWARE WERE EXPORTED FROM THE UNITED STATES IN ACCORDANCE WITH THE EXPORT ADMINISTRATION REGULATIONS. DIVERSION CONTRARY TO U.S. LAW PROHIBITED.

UNLESS OTHERWISE SPECIFIED LEADING DIMENSIONS ARE INCHES DIMENSIONS IN [] ARE MILLIMETERS

TOLERANCES:
 .X = ±.2 [5.08]
 .XX = ±.02 [.51]
 .XXX = ±.005 [.13]
 ANGLES ± 1°

FRACTIONS
 ±.1/32

CABLE LENGTH (L), TOLERANCES:
 L ≤ 12 [305] = +1 [25] / -0
 12 [305] < L ≤ 60 [1524] = +2 [51] / -0
 60 [1524] < L ≤ 120 [3048] = +4 [102] / -0
 120 [3048] < L ≤ 300 [7620] = +6 [152] / -0
 300 [7620] < L = +5% / -0

ALL DIMENSIONS SHOWN ARE FOR REFERENCE ONLY.

PE PASTERNAK
an INFINITE brand

Pasternack Enterprises, Inc.
P.O. Box 16759, Irvine, CA 92623.
Phone: 1.949.261.1920 | 1.866.727.8376
Fax: 1.949.261.7451
Website: www.pasternack.com
E-mail: sales@pasternack.com

THIRD-ANGLE PROJECTION

THE INFORMATION AND DESIGN IN THIS DOCUMENT IS THE PROPERTY OF PASTERNAK CORPORATION ALL RIGHTS RESERVED.

SHEET 1 OF 2

SCALE N/A

REV A

ITEM NO. PE71S6468

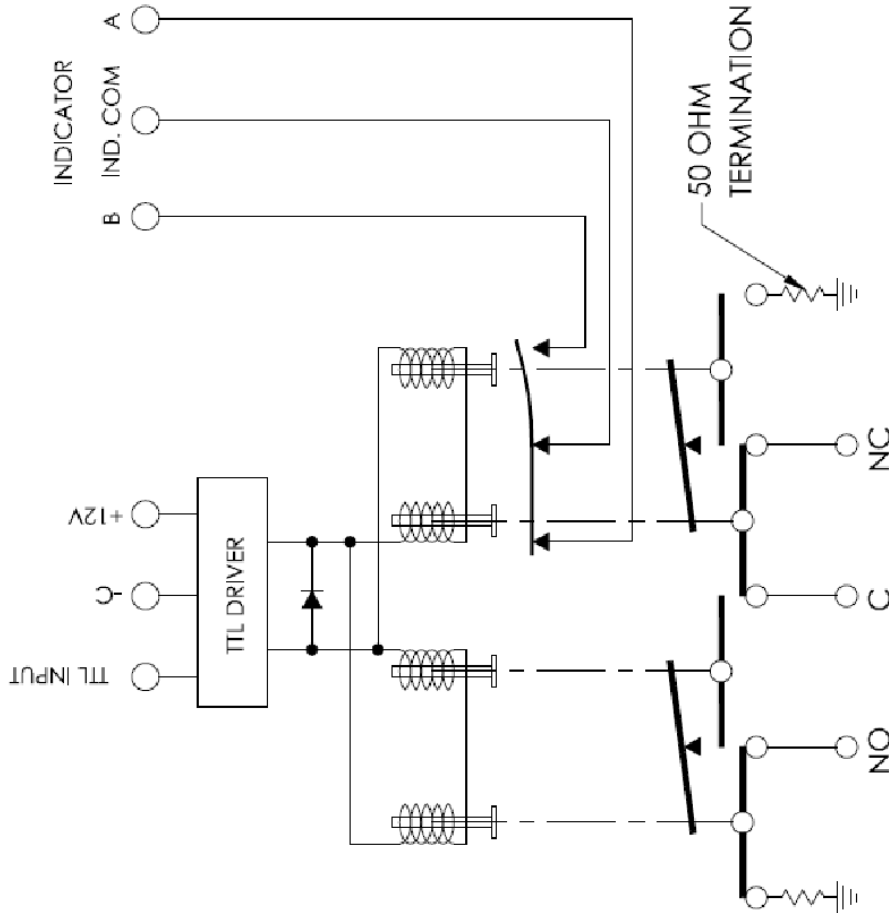
DRAWN BY K.DANG

CAGE CODE 53919

SIZE A

PE71S6468 CAD Drawing

SPDT Electromechanical Relay Failsafe Switch, Terminated, DC to 26.5 GHz, up to 90W, 2M Lifecycles, 12V, TTL, Indicators, SMA



SCHEMATIC (FAILSAFE POSITION)

OPERATIONAL			
LOGIC TABLE			
TERMINALS	RF PORTS	INDICATOR	
1	NO	NC	B-IND.COM A-IND.COM
0	OFF	ON	OFF ON
1	ON	OFF	ON OFF

POS	RF PATH	TERMINATION
NC	C-NC	NO TERMINATED
NO	C-NO	NC TERMINATED

UNLESS OTHERWISE SPECIFIED LEADING DIMENSIONS ARE INCHES DIMENSIONS IN [] ARE MILLIMETERS

TOLERANCES:
 .X = ±.2 [.008] FRACTIONS ± 1/32
 .XX = ±.02 [.51] ANGLES ± 1°
 .XXX = ±.005 [.13]

CABLE LENGTH (L), TOLERANCES:
 L ≤ 12 [305] = +1 [25] / -0
 12 [305] < L ≤ 60 [1524] = +2 [51] / -0
 60 [1524] < L ≤ 120 [3048] = +4 [102] / -0
 120 [3048] < L ≤ 300 [7620] = +6 [152] / -0
 300 [7620] < L = +5% / -0

ALL DIMENSIONS SHOWN ARE FOR REFERENCE ONLY.

THIRD-ANGLE PROJECTION

THE INFORMATION AND DESIGN IN THIS DOCUMENT IS THE PROPERTY OF PASTERNAK CORPORATION ALL RIGHTS RESERVED.

SHEET 2 OF 2

SCALE N/A

REV A

ITEM NO. PE71S6468

DRAWN BY K.DANG

CAGE CODE 53919

Website: www.pasternack.com
 E-mail: sales@pasternack.com
 Fax: 1.949.261.7451
 P.O. Box 16759, Irvine, CA 92623.
 Pasternack Enterprises, Inc.

PE PASTERNAK
 an INFINITE brand