



SPDT Electromechanical Relay Failsafe Switch, DC to 40 GHz,  
up to 10W, 2M Lifecycles, 12V, Indicators, TTL, 2.92mm

## Electromechanical Relay Switches Technical Data Sheet

PE71S6444

### Features

- Single Pole Double Throw Electromechanical Relay Switch
- DC to 40 GHz Frequency Range
- Failsafe Actuator
- TTL Logic Control
- Indicators
- 2M Lifecycle Rating
- Insertion Loss 0.4 dB typ
- Isolation > 85 dB typ
- VSWR as low as 1.15:1 max
- Terminal Solder Pins for DC Command Control
- +12 Volt DC Bias
- 2.92mm Female Connectors
- -25°C to +65°C Operating Temperature
- Up to 10 Watt Average Power Handling
- 50 Ohm Design
- Hot Switching Capability - Consult Factory
- S-Parameter Data available upon request
- Rugged Design meets Mil-STD-202 Test Conditions

### Applications

- Aerospace & Defense
- Test & Measurement
- Microwave Radio Systems
- Military & Commercial Communication Systems
- Research & Development
- SATCOM
- Wireless Communications
- Enterprise
- IoT

### Description

The PE71S6444 is a Single Pole Double Throw (SP2T) electromechanical relay switch that operates across a wide frequency range of DC to 40 GHz and can handle up to 10W of Average power in a break before make condition. The 50 Ohm design is rated for 2 million lifecycles and features a Failsafe Actuator. Additional features include TTL control logic, and indicators. Impressive typical performance includes 0.4 dB insertion loss and isolation greater than 85 dB. This switch requires +12Vdc bias voltage and operates over a temperature range of -25°C to +65°C. The rugged and compact package assembly supports 2.92mm female connectors and terminal solder pins for DC command control functions. And for highly reliable operation, the model is guaranteed to meet MIL-STD-202 environmental test conditions for shock and random vibration.

### Electrical Specifications

Switch Type	SPDT
Actuator Type	Failsafe
Switching Sequence	Break Before Make
Actuator Options	Indicators, TTL Logic
TTL Control	on: 2.4 to 5.5 Volts off: 0 to 0.8 Volts

Description	Minimum	Typical	Maximum	Units
Frequency Range	DC		40	GHz
Impedance		50		Ohms
Operating Voltage	11	12	13	Volts
Actuating Set Current @ 12 Volts			200	mA
VSWR		1.4:1	1.5:1	
Insertion Loss		0.4	0.7	dB

Click the following link (or enter part number in "SEARCH" on website) to obtain additional part information including price, inventory and certifications: [SPDT Electromechanical Relay Failsafe Switch, DC to 40 GHz, up to 10W, 2M Lifecycles, 12V, Indicators, TTL, 2.92mm PE71S6444](#)



SPDT Electromechanical Relay Failsafe Switch, DC to 40 GHz,  
up to 10W, 2M Lifecycles, 12V, Indicators, TTL, 2.92mm

## Electromechanical Relay Switches Technical Data

PE71S6444

Isolation	60	85		dB
Switching Time			20	ms Max

### Performance by Frequency

Description	F1	F2	F3	F4	F5	Units
Frequency Range	DC to 6	6 to 12.4	12.4 to 18	18 to 26.5	26.5 to 40	GHz
VSWR, Max	1.15:1	1.35:1	1.4:1	1.45:1	1.5:1	
Insertion Loss, Max	0.2	0.3	0.4	0.5	0.7	dB
Isolation, Min	85	80	80	75	60	dB

### Mechanical Specifications

#### Size

Length	2.05 in [52.07 mm]
Width/Diameter	1.5 in [38.1 mm]
Height	0.52 in [13.21 mm]

Finish	NICKEL
Package Type	Connectorized
Operating Life	2,000,000 Cycles

#### Connectors

RF Connector Type	2.92mm Female
-------------------	---------------

### Environmental Specifications

#### Temperature

Operating Range	-25 to +65 deg C
Storage Range	-55 to +100 deg C

Humidity	Moisture resistant or immersion sealing available
Shock	MIL-STD-202 Method 213, Condition D, 500G (non oper)
Vibration	MIL-STD-202 Method 214, Condition D, 10G RMS (non oper)

**Compliance Certifications** (see [product page](#) for current document)

### Plotted and Other Data

Notes:

Click the following link (or enter part number in "SEARCH" on website) to obtain additional part information including price, inventory and certifications: [SPDT Electromechanical Relay Failsafe Switch, DC to 40 GHz, up to 10W, 2M Lifecycles, 12V, Indicators, TTL, 2.92mm PE71S6444](#)

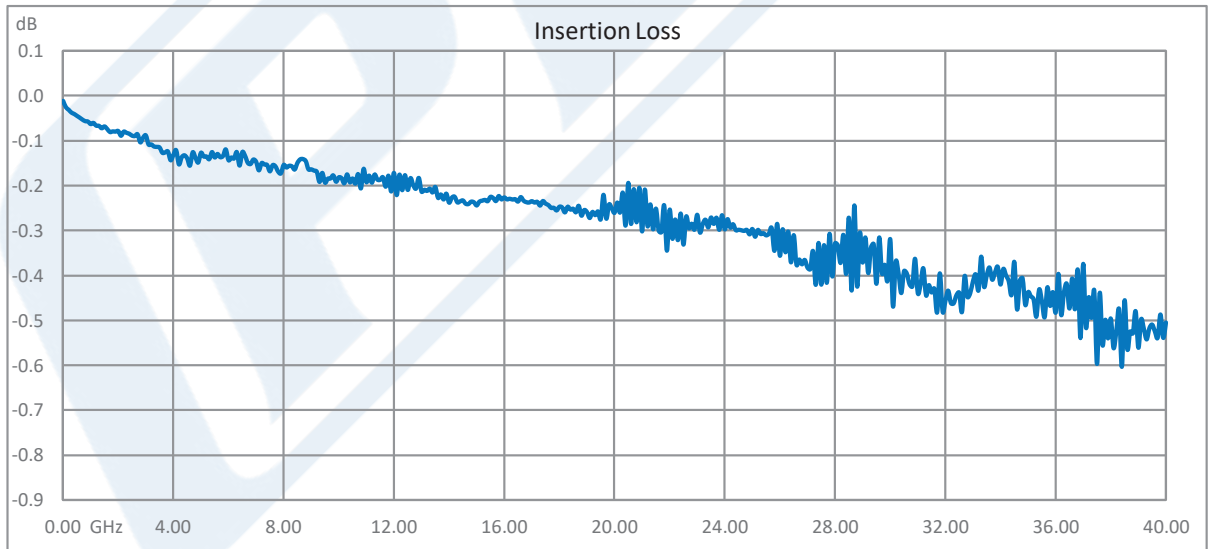
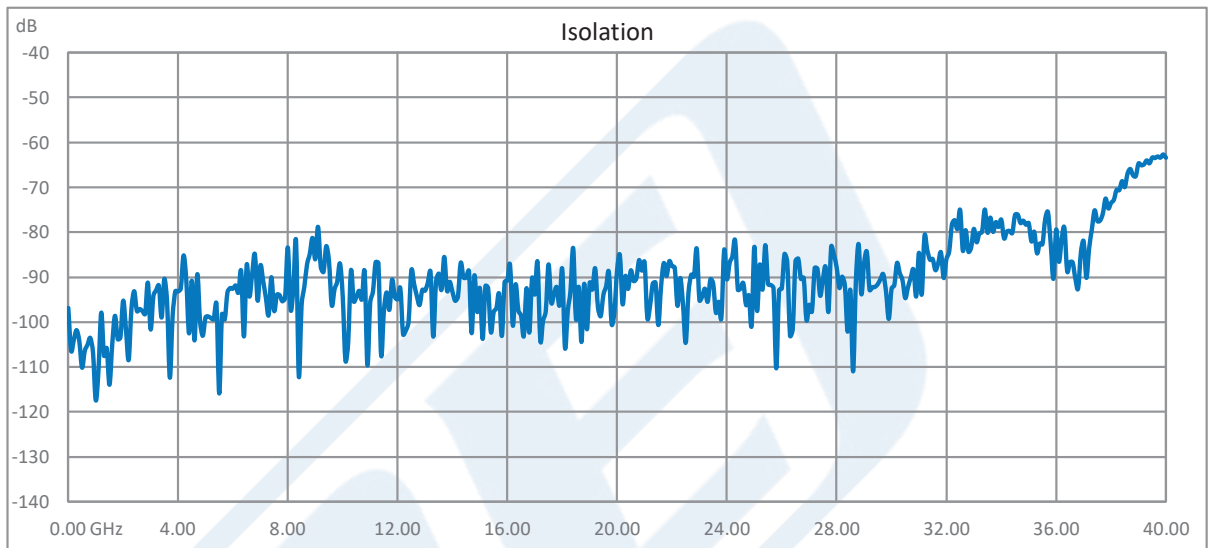


SPDT Electromechanical Relay Failsafe Switch, DC to 40 GHz,  
up to 10W, 2M Lifecycles, 12V, Indicators, TTL, 2.92mm

Electromechanical Relay Switches Technical Data

PE71S6444

Typical Performance Data



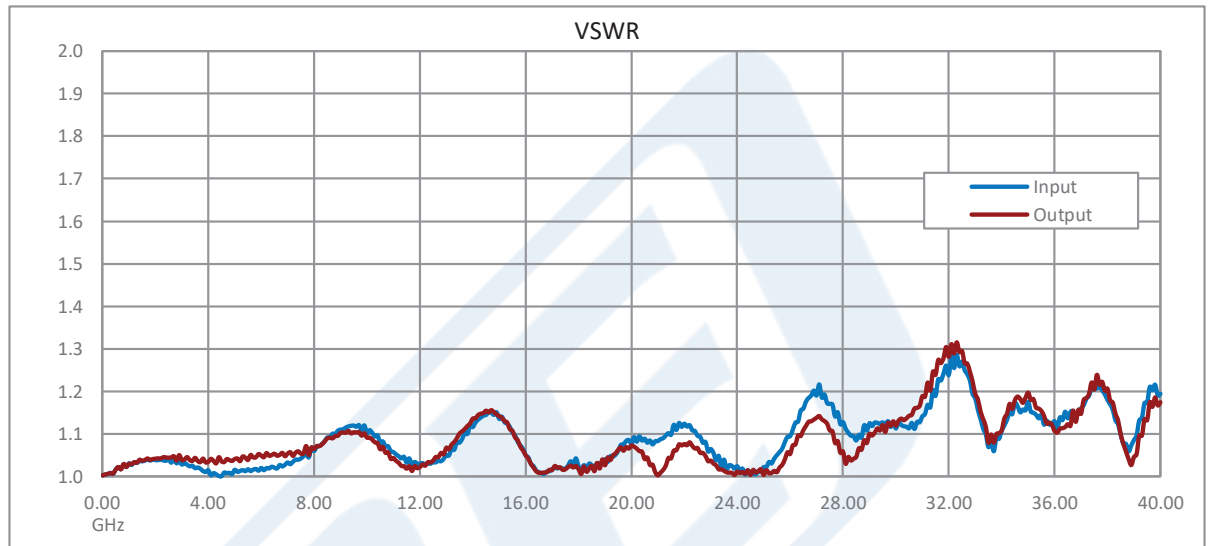
Click the following link (or enter part number in "SEARCH" on website) to obtain additional part information including price, inventory and certifications: [SPDT Electromechanical Relay Failsafe Switch, DC to 40 GHz, up to 10W, 2M Lifecycles, 12V, Indicators, TTL, 2.92mm PE71S6444](#)



SPDT Electromechanical Relay Failsafe Switch, DC to 40 GHz,  
up to 10W, 2M Lifecycles, 12V, Indicators, TTL, 2.92mm

## Electromechanical Relay Switches Technical Data

PE71S6444



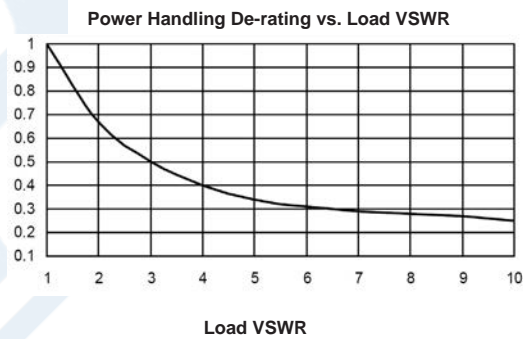
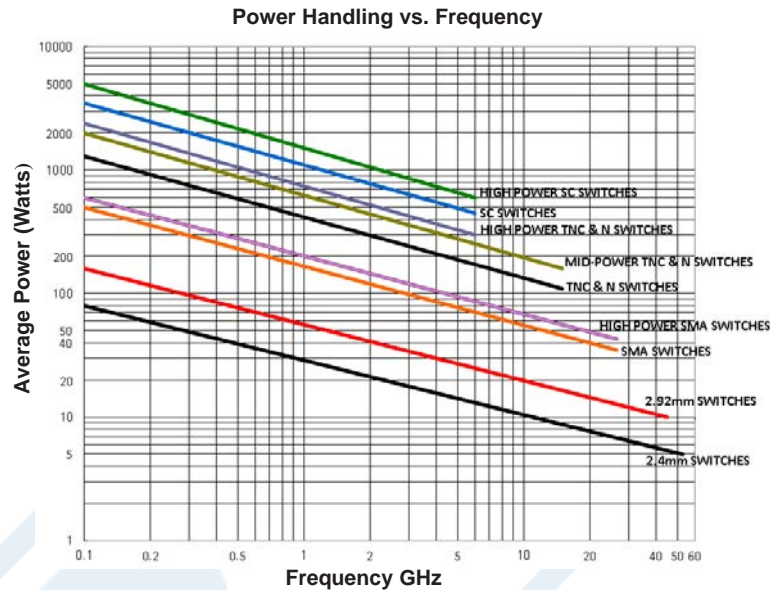
Click the following link (or enter part number in "SEARCH" on website) to obtain additional part information including price, inventory and certifications: [SPDT Electromechanical Relay Failsafe Switch, DC to 40 GHz, up to 10W, 2M Lifecycles, 12V, Indicators, TTL, 2.92mm PE71S6444](#)



SPDT Electromechanical Relay Failsafe Switch, DC to 40 GHz,  
up to 10W, 2M Lifecycles, 12V, Indicators, TTL, 2.92mm

Electromechanical Relay Switches Technical Data

PE71S6444



Power Handling Chart and Derating Curves based on the following Test and Environmental Conditions:  
 Ambient temperature: 20 - 25°C  
 Altitude: Sea Level to 1,000 feet  
 Relative Humidity: 50 - 55%  
 Load VSWR: ≤ 1.20:1  
 Operation: Cold Switching

Click the following link (or enter part number in "SEARCH" on website) to obtain additional part information including price, inventory and certifications: [SPDT Electromechanical Relay Failsafe Switch, DC to 40 GHz, up to 10W, 2M Lifecycles, 12V, Indicators, TTL, 2.92mm PE71S6444](#)



SPDT Electromechanical Relay Failsafe Switch, DC to 40 GHz,  
up to 10W, 2M Lifecycles, 12V, Indicators, TTL, 2.92mm

## Electromechanical Relay Switches Technical Data

PE71S6444

SPDT Electromechanical Relay Failsafe Switch, DC to 40 GHz, up to 10W, 2M Lifecycles, 12V, Indicators, TTL, 2.92mm from Pasternack Enterprises has same day shipment for domestic and International orders. Our RF, microwave and millimeter wave products maintain a 99.4% availability and are part of the broadest selection in the industry.

Click the following link (or enter part number in "SEARCH" on website) to obtain additional part information including price, inventory and certifications: [SPDT Electromechanical Relay Failsafe Switch, DC to 40 GHz, up to 10W, 2M Lifecycles, 12V, Indicators, TTL, 2.92mm PE71S6444](https://www.pasternack.com/spdt-electromechanical-relay-failsafe-switch-40-ghz-12v-indicators-ttl-2.92mm-pe71s6444)

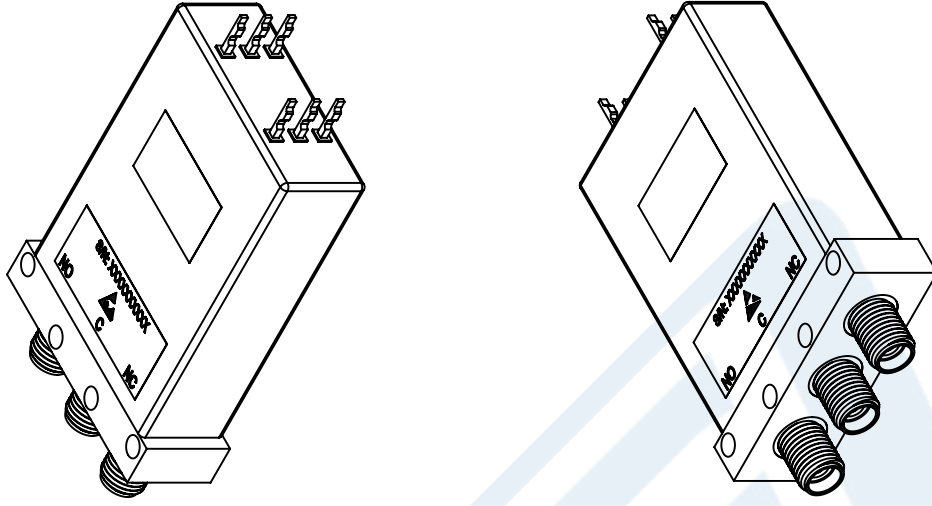
URL: <https://www.pasternack.com/spdt-electromechanical-relay-failsafe-switch-40-ghz-12v-indicators-ttl-2.92mm-pe71s6444-p.aspx>

The information contained in this document is accurate to the best of our knowledge and representative of the part described herein. It may be necessary to make modifications to the part and/or the documentation of the part, in order to implement improvements. Pasternack reserves the right to make such changes as required. Unless otherwise stated, all specifications are nominal. Pasternack does not make any representation or warranty regarding the suitability of the part described herein for any particular purpose, and Pasternack does not assume any liability arising out of the use of any part or documentation.

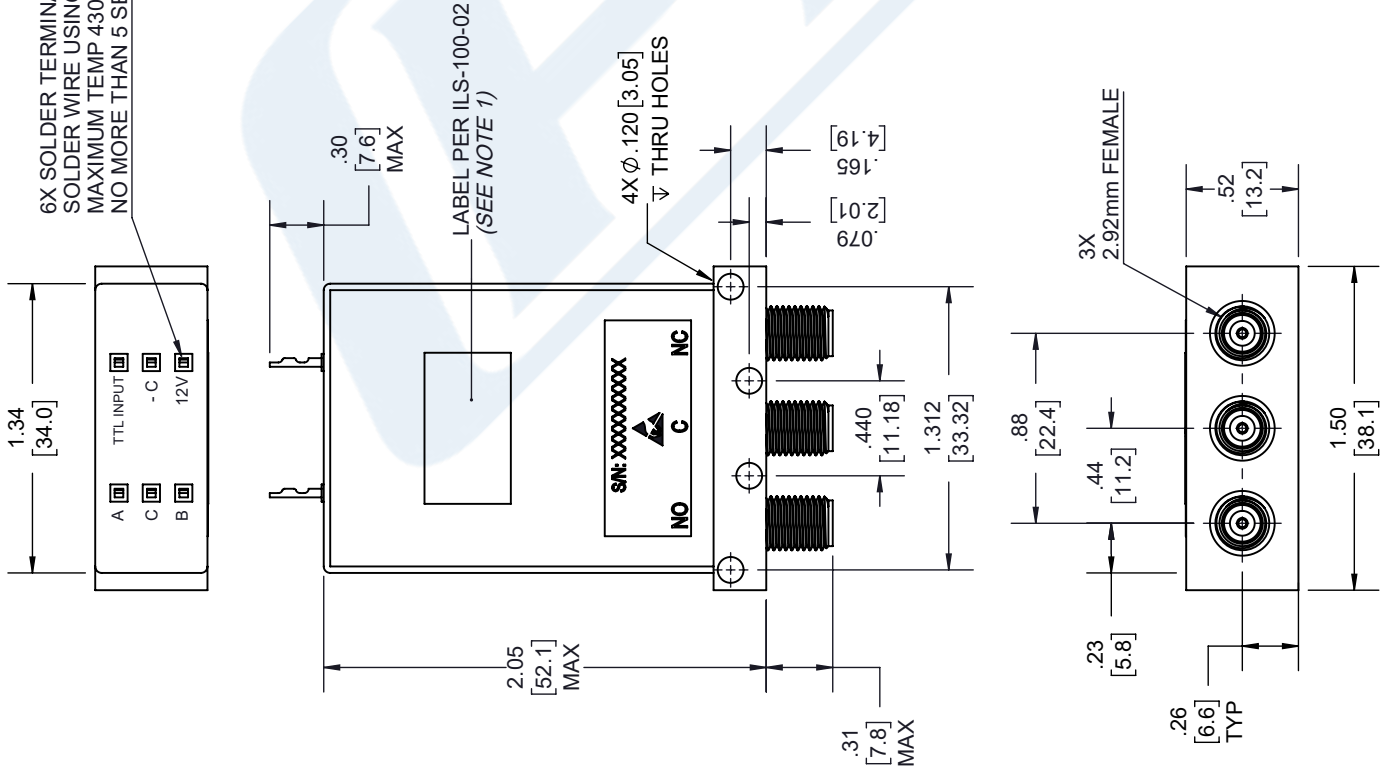
# PE71S6444 CAD Drawing

SPDT Electromechanical Relay Failsafe Switch, DC to 40 GHz,  
up to 10W, 2M Lifecycles, 12V, Indicators, TTL, 2.92mm

REVISIONS			
REV.	DESCRIPTION	DATE	APPROVED
A	INITIAL RELEASE	1/26/2021	T.GALLA



6X SOLDER TERMINALS,  
SOLDER WIRE USING SN96  
MAXIMUM TEMP 430°F FOR  
NO MORE THAN 5 SEC.



LABEL PER ILS-100-02  
(SEE NOTE 1)

UNLESS OTHERWISE SPECIFIED  
LEADING DIMENSIONS ARE INCHES  
DIMENSIONS IN [ ] ARE MILLIMETERS

TOLERANCES:  
 .X = ±.2 [5.08] FRACTIONS  
 .XX = ±.02 [ .51] ±.102  
 .XXX = ±.005 [ .13] ANGLES ± 1°  
 CABLE LENGTH (L), TOLERANCES:  
 L ≤ 12 [305] = +1 [25] / -0  
 12 [305] < L ≤ 60 [1524] = +2 [51] / -0  
 60 [1524] < L ≤ 120 [3048] = +4 [102] / -0  
 120 [3048] < L ≤ 300 [7620] = +6 [152] / -0  
 300 [7620] < L = +5% / -0

ALL DIMENSIONS SHOWN  
ARE FOR REFERENCE ONLY.

THIRD-ANGLE PROJECTION

THE INFORMATION AND  
DESIGN IN THIS DOCUMENT  
IS THE PROPERTY OF  
PASTERNAK CORPORATION  
ALL RIGHTS RESERVED.

SHEET 1 OF 2

SCALE N/A

**PE PASTERNAK**  
an INFINITE brand

Pasternack Enterprises, Inc.  
P. O. Box 16759, Irvine, CA 92623.  
Phone: 1.949.261.1920 | 1.866.727.8376  
Fax: 1.949.261.7451  
Website: www.pasternack.com  
E-mail: sales@pasternack.com

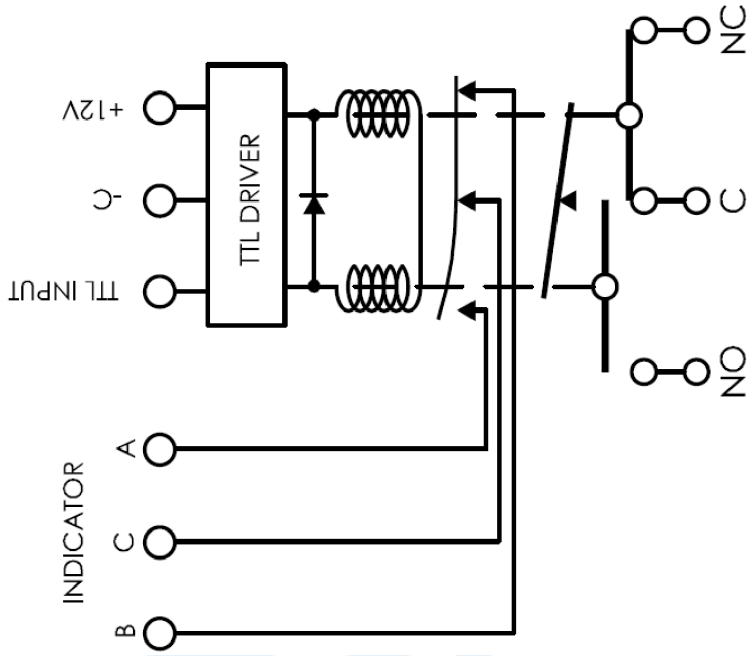
SIZE A CAGE CODE 53919 DRAWN BY K.DANG ITEM NO. PE71S6444 REV A

NOTES:  
1. LABEL PER ILS-100-02. FOR INTERNAL REFERENCE ONLY.  
LABEL LOCATION FOR REFERENCE ONLY.

THESE COMMODITIES, TECHNOLOGY OR SOFTWARE WERE EXPORTED FROM THE UNITED STATES IN ACCORDANCE WITH THE EXPORT ADMINISTRATION REGULATIONS. DIVERSION CONTRARY TO U.S. LAW PROHIBITED.

# PE71S6444 CAD Drawing

SPDT Electromechanical Relay Failsafe Switch, DC to 40 GHz,  
up to 10W, 2M Lifecycles, 12V, Indicators, TTL, 2.92mm



## SCHEMATIC

UNLESS OTHERWISE SPECIFIED  
LEADING DIMENSIONS ARE INCHES  
DIMENSIONS IN [ ] ARE MILLIMETERS

TOLERANCES:  
 .X = ±.2 [ .008 ] FRACTIONS  
 .XX = ±.02 [ .51 ] ± 1/32  
 .XXX = ±.005 [ .13 ] ANGLES ± 1°

CABLE LENGTH (L), TOLERANCES:  
 L ≤ 12 [305] = +1 [25] / -0  
 12 [305] < L ≤ 60 [1524] = +2 [51] / -0  
 60 [1524] < L ≤ 120 [3048] = +4 [102] / -0  
 120 [3048] < L ≤ 300 [7620] = +6 [152] / -0  
 300 [7620] < L = +5%L / -0

ALL DIMENSIONS SHOWN  
ARE FOR REFERENCE ONLY.

THIRD-ANGLE PROJECTION

THE INFORMATION AND  
DESIGN IN THIS DOCUMENT  
IS THE PROPERTY OF  
PASTERNAK CORPORATION  
ALL RIGHTS RESERVED.

SHEET 2 OF 2

SCALE N/A

REV A

**PE PASTERNAK**  
an INFINITE brand

Pasternack Enterprises, Inc.  
P. O. Box 16759, Irvine, CA 92623.  
Phone: 1.949.261.1920 | 1.866.727.8376  
Fax: 1.949.261.7451  
Website: www.pasternack.com  
E-mail: sales@pasternack.com

ITEM NO. PE71S6444

SIZE A CAGE CODE 53919 DRAWN BY K.DANG

THESE COMMODITIES, TECHNOLOGY OR SOFTWARE WERE EXPORTED FROM THE UNITED STATES IN ACCORDANCE WITH THE EXPORT ADMINISTRATION REGULATIONS. DIVERSION CONTRARY TO U.S. LAW PROHIBITED.