



Absorptive SP8T PIN Diode Switch Operating from 500 MHz to 18 GHz Up to 0.1 Watts (+20 dBm) and Field Replaceable SMA

PIN Diode Switches Technical Data Sheet

PE71S6213

Features

- SP8T Absorptive Switch
- 0.5 GHz to 18.0 GHz
- Insertion Loss 4.5 dB max
- Isolation 55 dB min
- Power Input 20 dBm CW max
- Switching Speed 100 nsec max

Applications

- Test & Measurement
- Military Communication
- Commercial Communication

Description

The PE71S6213 is a SP8T Absorptive Switch designed to operate over the 0.5 GHz to 18.0 GHz Frequency Range. The switch is designed to maintain low insertion loss, high isolation, and fast switching speed.

Electrical Specifications

TTL Control

Off/Isolation: "0"

On/Low Loss: "1"

Description	Minimum	Typical	Maximum	Units
Frequency Range	0.5		18	GHz
Impedance		50		Ohms
VSWR			2:01	
Insertion Loss			4.5	dB
Isolation	55			dB
Switching Time			50	ns
Settling Time			100	ns
RF Input Power (CW)*			0.1	Watts
Survival Power			1	Watt
Positive Operating Voltage		5		Vdc
Negative Operating Voltage		-5	70	Vdc
Current @ 5 Vdc		400		mA
Current @ -5Vdc		100		mA
Operating Temperature	-40		85	deg C

Click the following link (or enter part number in "SEARCH" on website) to obtain additional part information including price, inventory and certifications: [Absorptive SP8T PIN Diode Switch Operating from 500 MHz to 18 GHz Up to 0.1 Watts \(+20 dBm\) and Field Replaceable SMA PE71S6213](#)



Absorptive SP8T PIN Diode Switch Operating from 500 MHz to 18 GHz Up to 0.1 Watts (+20 dBm) and Field Replaceable SMA

PIN Diode Switches Technical Data Sheet

PE71S6213

Mechanical Specifications

Size

Length	4 in [101.6 mm]
Width	1.5 in [38.1 mm]
Height	0.4 in [10.16 mm]
Weight	0.249 lbs [112.94 g]
Design	Absorptive, SP8T
RF Connector	SMA Female
RF Connector Option	Field Replaceable
TTL Control Connector	Solder Pin

Environmental Specifications

Temperature

Operating Range	-40 to 85 deg C
Storage Range	-55 to 125 deg C

Humidity

MIL-STD-202F, METHOD 103B COND. B

Shock

MIL-STD-202F, METHOD 213B COND. B

Vibration

MIL-STD-202F, METHOD 204D COND. B

Altitude

MIL-STD-202F, METHOD 105C COND. B

Temperature Cycling

MIL-STD-202F, METHOD 107D COND. A

ESD Sensitivity

ESD Sensitive Material, Transport material in Approved ESD bags. Handle only in ESD Workstation.

Compliance Certifications (see [product page](#) for current document)

Plotted and Other Data

Notes:

Click the following link (or enter part number in "SEARCH" on website) to obtain additional part information including price, inventory and certifications: [Absorptive SP8T PIN Diode Switch Operating from 500 MHz to 18 GHz Up to 0.1 Watts \(+20 dBm\) and Field Replaceable SMA PE71S6213](#)

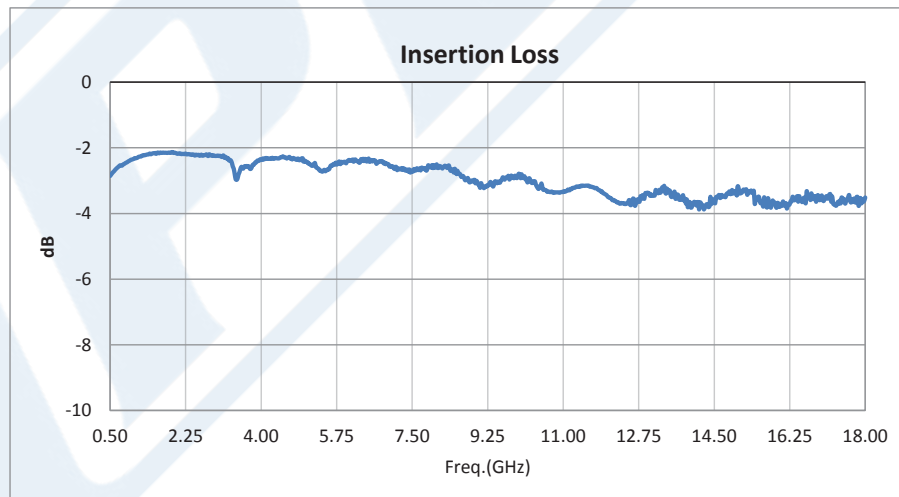
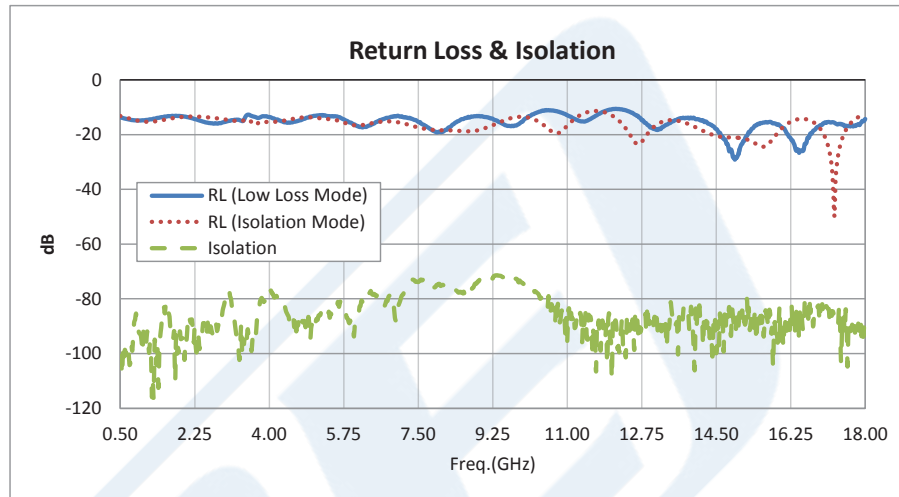


Absorptive SP8T PIN Diode Switch Operating from 500 MHz to 18 GHz Up to 0.1 Watts (+20 dBm) and Field Replaceable SMA

PIN Diode Switches Technical Data Sheet

PE71S6213

Typical Performance Data



Absorptive SP8T PIN Diode Switch Operating from 500 MHz to 18 GHz Up to 0.1 Watts (+20 dBm) and Field Replaceable SMA from Pasternack Enterprises has same day shipment for domestic and International orders. Our RF, microwave and millimeter wave products maintain a 99.4% availability and are part of the broadest selection in the industry.

Click the following link (or enter part number in "SEARCH" on website) to obtain additional part information including price, inventory and certifications: [Absorptive SP8T PIN Diode Switch Operating from 500 MHz to 18 GHz Up to 0.1 Watts \(+20 dBm\) and Field Replaceable SMA PE71S6213](#)

Click the following link (or enter part number in "SEARCH" on website) to obtain additional part information including price, inventory and certifications: [Absorptive SP8T PIN Diode Switch Operating from 500 MHz to 18 GHz Up to 0.1 Watts \(+20 dBm\) and Field Replaceable SMA PE71S6213](#)



Absorptive SP8T PIN Diode Switch Operating from 500 MHz to 18 GHz Up to 0.1 Watts (+20 dBm) and Field Replaceable SMA

PIN Diode Switches Technical Data Sheet

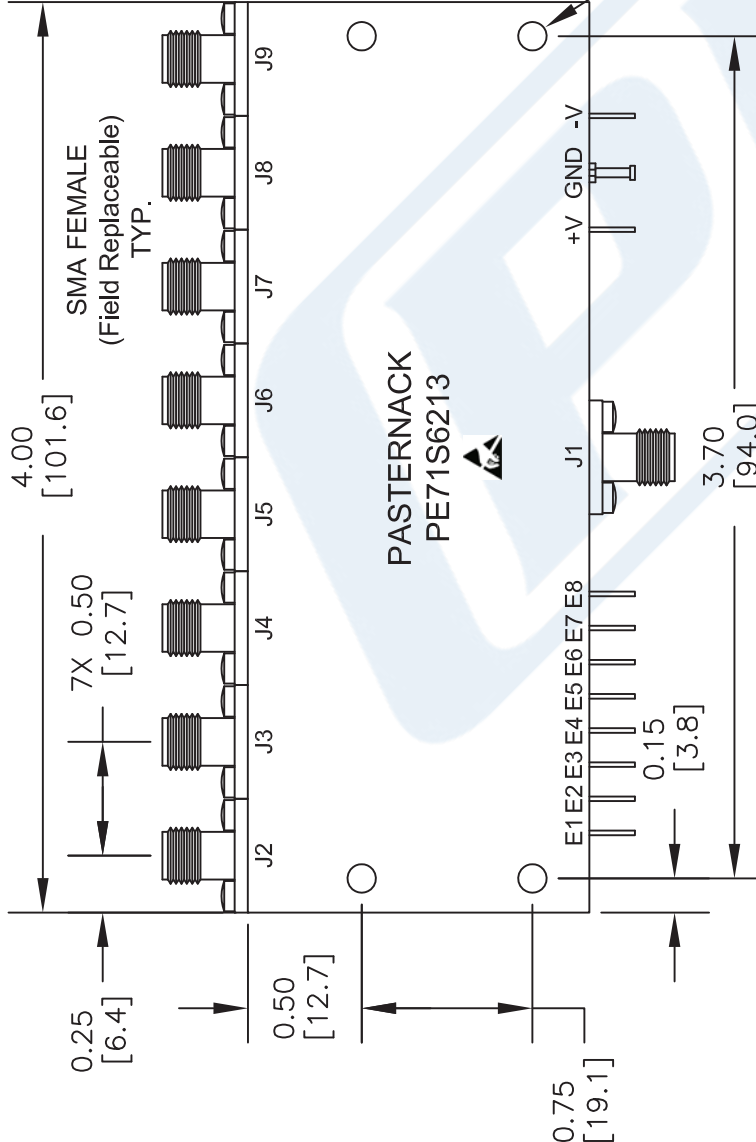
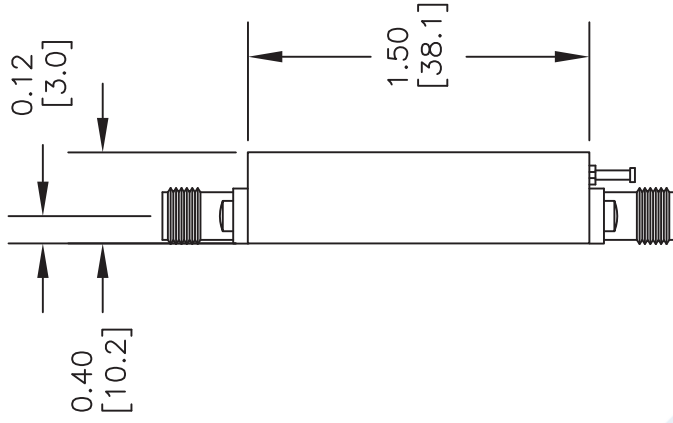
PE71S6213

URL: <https://www.pasternack.com/absorptive-sp8t-pin-diode-switch-18-ghz-20-dbm-sma-pe71s6213-p.aspx>

The information contained in this document is accurate to the best of our knowledge and representative of the part described herein. It may be necessary to make modifications to the part and/or the documentation of the part, in order to implement improvements. Pasternack reserves the right to make such changes as required. Unless otherwise stated, all specifications are nominal. Pasternack does not make any representation or warranty regarding the suitability of the part described herein for any particular purpose, and Pasternack does not assume any liability arising out of the use of any part or documentation.

PE71S6213 CAD Drawing

Absorptive SP8T PIN Diode Switch Operating from 500 MHz to 18 GHz
Up to 0.1 Watts (+20 dBm) and Field Replaceable SMA

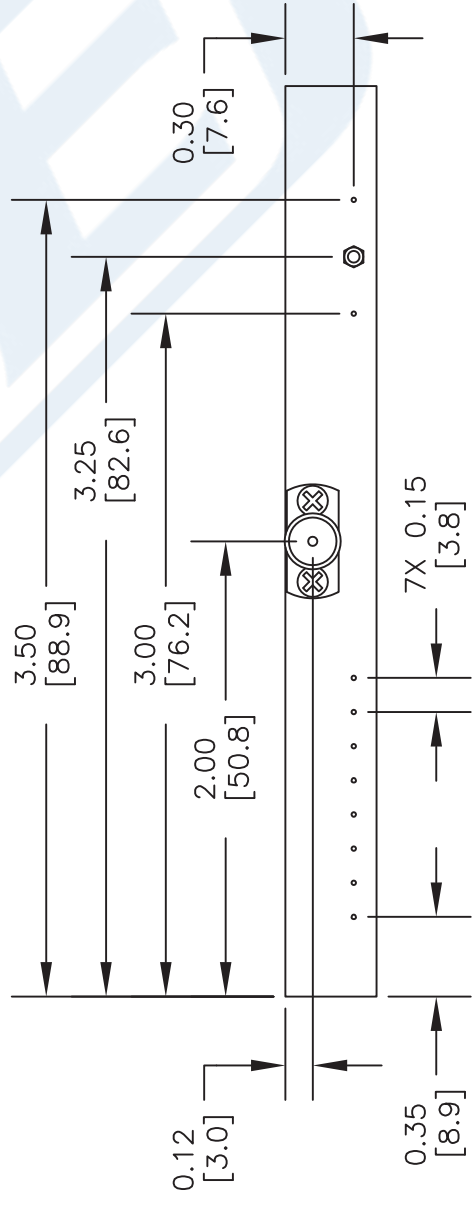


TTL LOGIC TABLE

E1	E2	E3	E4	E5	E6	E7	E8	Low Loss
1	0	0	0	0	0	0	0	J1-J2
0	1	0	0	0	0	0	0	J1-J3
0	0	1	0	0	0	0	0	J1-J4
0	0	0	1	0	0	0	0	J1-J5
0	0	0	0	1	0	0	0	J1-J6
0	0	0	0	0	1	0	0	J1-J7
0	0	0	0	0	0	1	0	J1-J8
0	0	0	0	0	0	0	1	J1-J9

NOTE: 0=Isolation
1=Low Loss

ALL DIMENSIONS ARE IN INCHES.
TOLERANCES:
X.XX ±0.020
X.XXX ±0.010
* THESE DIMENSIONS AND TOLERANCES
SUPERSEDE NOTE #1 ON TITLE BLOCK.



NOTES:
1. UNLESS OTHERWISE SPECIFIED ALL DIMENSIONS ARE NOMINAL.
2. ALL SPECIFICATIONS ARE SUBJECT TO CHANGE WITHOUT NOTICE AT ANY TIME.
3. DIMENSIONS ARE IN INCHES [mm].

DWG TITLE
PE71S6213

PE PASTERNAK
THE ENGINEER'S RF SOURCE
Pasternack Enterprises, Inc.
P.O. Box 16759 | Irvine | CA | 92623
Phone: (949) 261-1920 | Fax: (949) 261-7451
Website: www.pasternack.com | E-Mail: sales@pasternack.com

CAD FILE 041116 SCALE N/A SIZE A 2233

FSCM NO. 53919

FSCM NO. 53919