



SPDT Electromechanical Relay Latching Switch, DC to 8 GHz, up to 400W, 24V, Hot Switching, SMT

Electromechanical Relay Switches Technical Data Sheet

PE71S6093

Features

- Single Pole Double Throw SMT Relay Switch
- DC to 8 GHz Frequency Range
- 2M Cycle Min Operating Life (Cold Switching)
- 35 Watt Avg Power
- -40 to +85 Deg C Operating Temperature
- Insertion Loss 0.8 dB Max
- VSWR 1.4:1 Max

Applications

- High Performance Relay Switch
- Military Communications
- Communications Systems
- Test & Measurement

Description

The PE71S6093 is a single pole double throw electromechanical relay switch that operates from DC to 8 GHz and can handle up to 400 Watts of CW input power in a break before make condition. The design features a latching actuator and is rated for 2M life cycles of cold switching for high reliability operation. Insertion loss is specified from 0.1 dB max and Isolation from 50 dB min, with +24 Vdc operating voltage. Performance is guaranteed over -40°C to +85°C and the switch assembly is RoHS and REACH compliant.

Electrical Specifications

| | |
|--------------------|-------------------|
| Switch Type | SPDT |
| Actuator Type | Latching |
| Switching Sequence | Break before Make |
| Actuator Options | Hot Switching |

| Description | Minimum | Typical | Maximum | Units |
|--------------------------------------|---------|---------|---------|-------|
| Frequency Range | DC | | 8 | GHz |
| Impedance | | 50 | | Ohms |
| Operating Voltage | 20.5 | 24 | 30 | Volts |
| Actuating Current @ 24 Volts | | 32 | | mA |
| VSWR | | | 1.4:1 | |
| Insertion Loss | | | 0.8 | dB |
| Isolation | 30 | | | dB |
| Coil Resistance | | 865 | | Ohms |
| Third Order Intermodulation | | -120 | | dBc |
| Input Power (CW) (Cold Switching) | | | 35 | Watts |

Click the following link (or enter part number in "SEARCH" on website) to obtain additional part information including price, inventory and certifications: [SPDT Electromechanical Relay Latching Switch, DC to 8 GHz, up to 400W, 24V, Hot Switching, SMT PE71S6093](#)



SPDT Electromechanical Relay Latching Switch, DC to 8 GHz, up to 400W, 24V, Hot Switching, SMT

Electromechanical Relay Switches Technical Data

PE71S6093

Performance by Frequency

| Description | F1 | F2 | F3 | F4 | F5 | Units |
|-----------------------|---------|--------|--------|--------|--------|-------|
| Frequency Range | DC to 1 | 1 to 2 | 2 to 3 | 3 to 6 | 6 to 8 | GHz |
| VSWR, Max | 1.1:1 | 1.2:1 | 1.35:1 | 1.35:1 | 1.4:1 | |
| Insertion Loss, Max | 0.1 | 0.2 | 0.3 | 0.4 | 0.8 | dB |
| Isolation, Min | 50 | 45 | 40 | 35 | 30 | dB |
| Input Power, Max (CW) | 400 | 280 | 175 | 50 | 35 | Watts |

Electrical Specification Notes:

Average Power and Actuating Current values at 25°C.

Third Order Intermodulation conditions: 2 carriers, 20W each.

Max. Input Power (CW) for hot switching: 50W (DC to 2GHz), 40W (2 to 3GHz), 25W (3 to 6GHz), 5W (6 to 8GHz).

Dielectric test voltage: 300Vrms.

Insulation resistance at 500Vdc: 100MOhms min.

Mechanical Specifications

Size

Length 0.53 in [13.46 mm]

Width/Diameter 0.41 in [10.41 mm]

Height 0.28 in [7.11 mm]

Weight 0.005 lbs [2.27 g]

Package Type Surface Mount

Operating Life 2,000,000 Cycles

Operating Life (Cold Switching) 2,000,000 Cycles

Operating Life (Hot Switching) 500,000 Cycles

Making Contacts 4 ms Max (1.8 ms Typ)

Breaking Contacts 1 ms Max (500 µs Typ)

Connectors

RF Connector Type SMT

Mechanical Specification Notes:

Cold Switching: 120 cycles/min maximum

Hot Switching: 20 cycles/min maximum

Environmental Specifications

Temperature

Operating Range -40 to +85 deg C

Storage Range -55 to +85 deg C

Ingress Protection (IP) Rating IEC 60529 / IP67

Shock MIL-STD-202, Method 213B, Cond C (operating)

Click the following link (or enter part number in "SEARCH" on website) to obtain additional part information including price, inventory and certifications: [SPDT Electromechanical Relay Latching Switch, DC to 8 GHz, up to 400W, 24V, Hot Switching, SMT PE71S6093](#)



SPDT Electromechanical Relay Latching Switch, DC to 8 GHz, up to 400W, 24V, Hot Switching, SMT

Electromechanical Relay Switches Technical Data

PE71S6093

Sine Vibration

MIL-STD-202, Method 204, Cond D (operating)/Cond G (non-operating)

Random Vibration

MIL-STD-202, Method 214A, Profile I, Cond F (operating)/Cond H (non-operating)

Environmental Specification Notes:
Environmental specifications are guaranteed but not tested.

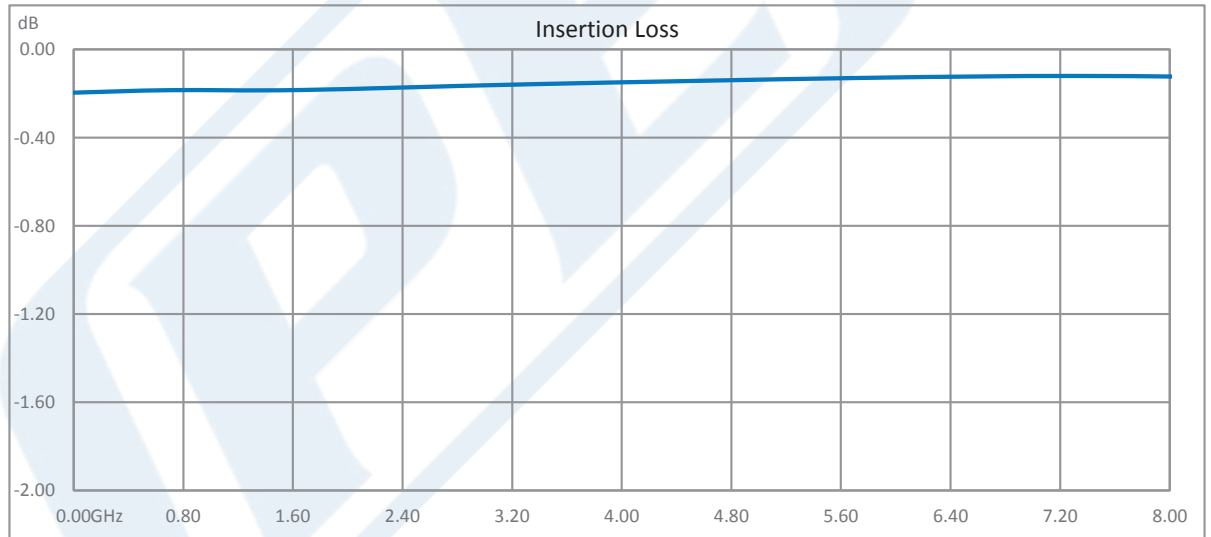
Compliance Certifications (see [product page](#) for current document)

Plotted and Other Data

Notes:

- Values shown are typical at 25°C.

Typical Performance Data



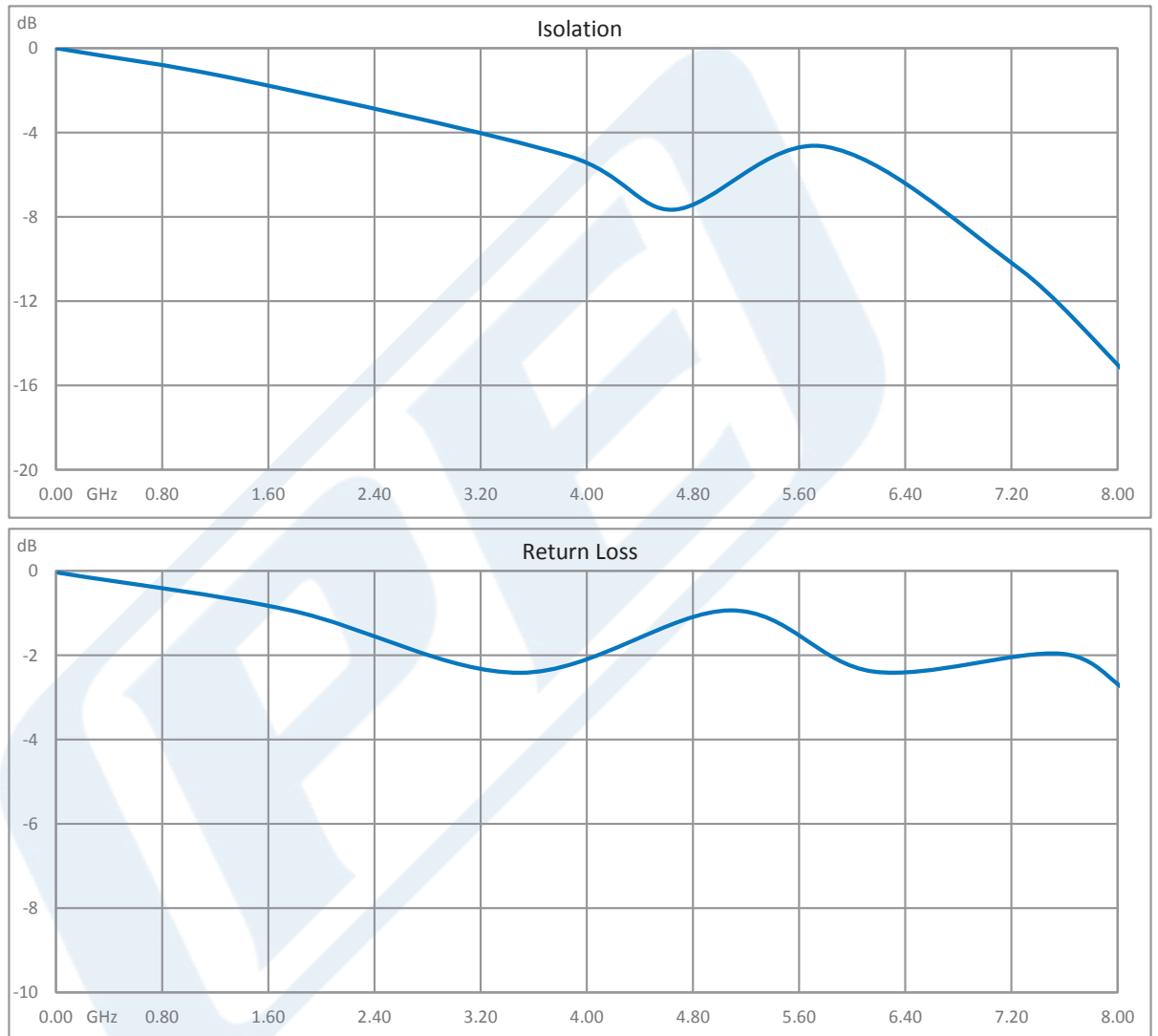
Click the following link (or enter part number in "SEARCH" on website) to obtain additional part information including price, inventory and certifications: [SPDT Electromechanical Relay Latching Switch, DC to 8 GHz, up to 400W, 24V, Hot Switching, SMT PE71S6093](#)



SPDT Electromechanical Relay Latching Switch, DC to 8 GHz, up to 400W, 24V, Hot Switching, SMT

Electromechanical Relay Switches Technical Data

PE71S6093



Click the following link (or enter part number in "SEARCH" on website) to obtain additional part information including price, inventory and certifications: [SPDT Electromechanical Relay Latching Switch, DC to 8 GHz, up to 400W, 24V, Hot Switching, SMT PE71S6093](#)



SPDT Electromechanical Relay Latching Switch, DC to 8 GHz, up to 400W, 24V, Hot Switching, SMT

Electromechanical Relay Switches Technical Data

PE71S6093

SPDT Electromechanical Relay Latching Switch, DC to 8 GHz, up to 400W, 24V, Hot Switching, SMT from Pasternack Enterprises has same day shipment for domestic and International orders. Our RF, microwave and millimeter wave products maintain a 99.4% availability and are part of the broadest selection in the industry.

Click the following link (or enter part number in "SEARCH" on website) to obtain additional part information including price, inventory and certifications: [SPDT Electromechanical Relay Latching Switch, DC to 8 GHz, up to 400W, 24V, Hot Switching, SMT PE71S6093](https://www.pasternack.com/smt-spdt-electromechanical-relay-switch-8-ghz-latching-pe71s6093-p.aspx)

URL: <https://www.pasternack.com/smt-spdt-electromechanical-relay-switch-8-ghz-latching-pe71s6093-p.aspx>

The information contained in this document is accurate to the best of our knowledge and representative of the part described herein. It may be necessary to make modifications to the part and/or the documentation of the part, in order to implement improvements. Pasternack reserves the right to make such changes as required. Unless otherwise stated, all specifications are nominal. Pasternack does not make any representation or warranty regarding the suitability of the part described herein for any particular purpose, and Pasternack does not assume any liability arising out of the use of any part or documentation.

PE71S6093 CAD Drawing

SPDT Electromechanical Relay Latching Switch, DC to 8 GHz, up to 400W, 24V, Hot Switching, SMT

A – Soldering procedure using automatic pick and place equipment

1-Solder paste:

R596 series are « Lead Free », and Lead Free Sn-Ag3.5-Cu0.7 solder cream may be used as well as standard Sn63-Pb35-Ag2. It is recommended using a « no clean - low residue » solder cream (5% solid residue of flux quantity) that will permit the elimination of the cleaning operation step after soldering.

Note: Due to the gold plating of the switch PCB interface, it is important to use a paste made with silver. This will help in avoiding formation of intermetallics as part of the solder joint.
RECOMMENDED SOLDERING PROCEDURE

2-Solder paste deposition:

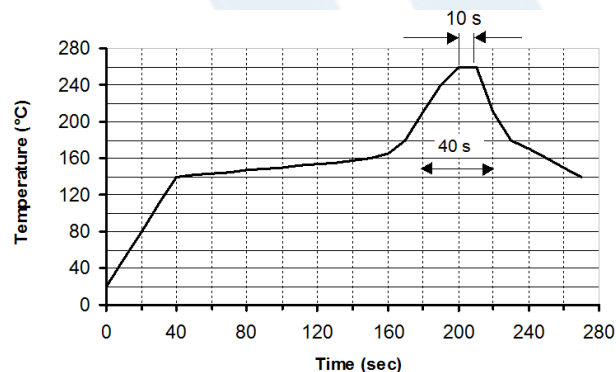
Solder cream may be applied on the board with screen printing or dispenser technologies. For either method, the solder paste must be coated to appropriate thickness and shapes to achieve good solder wetting. Please optically verify that the edges of the zone are clean and without contaminates, and that the PCB zoned areas have not oxydated. The design of the mounting pads and the stenciling area are given on page 7, for a thickness of the silk-screen printing of 0.15 mm (0.006 ").

3-Placement of the component:

For small lightweight components such as chip components, a self-alignment effect can be expected if small placement errors exist. However, this effect is not as expected for relays components and they require a accurate positioning on their soldering pads, typically +/- 0.1mm (+/-0.004"). Place the relay onto the PCB with automatic pick and place equipment. Various types of suction can be used. We do not recommend using adhesive agents on the component or on the PCB.

4-Soldering: infra-red process

Please follow the recommended temperature profile for infra-red reflow or forced air convection:



Higher temperature (>260°C) and longer process duration would damage permanently the switches

5-Cleaning procedure:

On miniature relays, high frequency cleaning may cause the contacts to stick. If cleaning is needed, please avoid ultrasonic cleaning and use alcohol based cleaning solutions.



In-line cleaning process, spraying, immersion, especially under temperature, may cause a risk of degradation of internal contacts.

6-Quality check:

Verify by visual inspection that the component is centered on the mounting pads.

Solder joints: verify by visual inspection that the formations of meniscus on the pads are proper, and have a capillarity amount upper the third of the height.

B – Soldering procedure by manual operation

1-Solder paste and flux deposition:

Refer to procedure A – 1

Deposite a thin layer of flux on mounting zone.

Allow the flux to evaporate a few seconds before applying the solder paste, in order to avoid dilution of the paste.

2-Solder paste deposition:

We recommends depositing a small amount of solder paste on the mounting zone area by syringe.

Be careful, not to apply solder paste outside of the zone area.

3-Placement of the component:

During manipulation, avoid contaminating gold surfaces by contact with fingers.

Place the component on the mounting zone by pressing on the top of the relay lid.

4-Hand soldering:

Iron wattage 30 to 60 W.

Tip temperature 280 to 300°C for max. 5 seconds

To keep good RF characteristics above 3GHz, it is important to solder RF ports first, and apply pressure on the relay lid during all the soldering stage, so as to reduce the air gap between the PC board and the relay.

5-Cleaning procedure:

Refer to procedure A – 5.

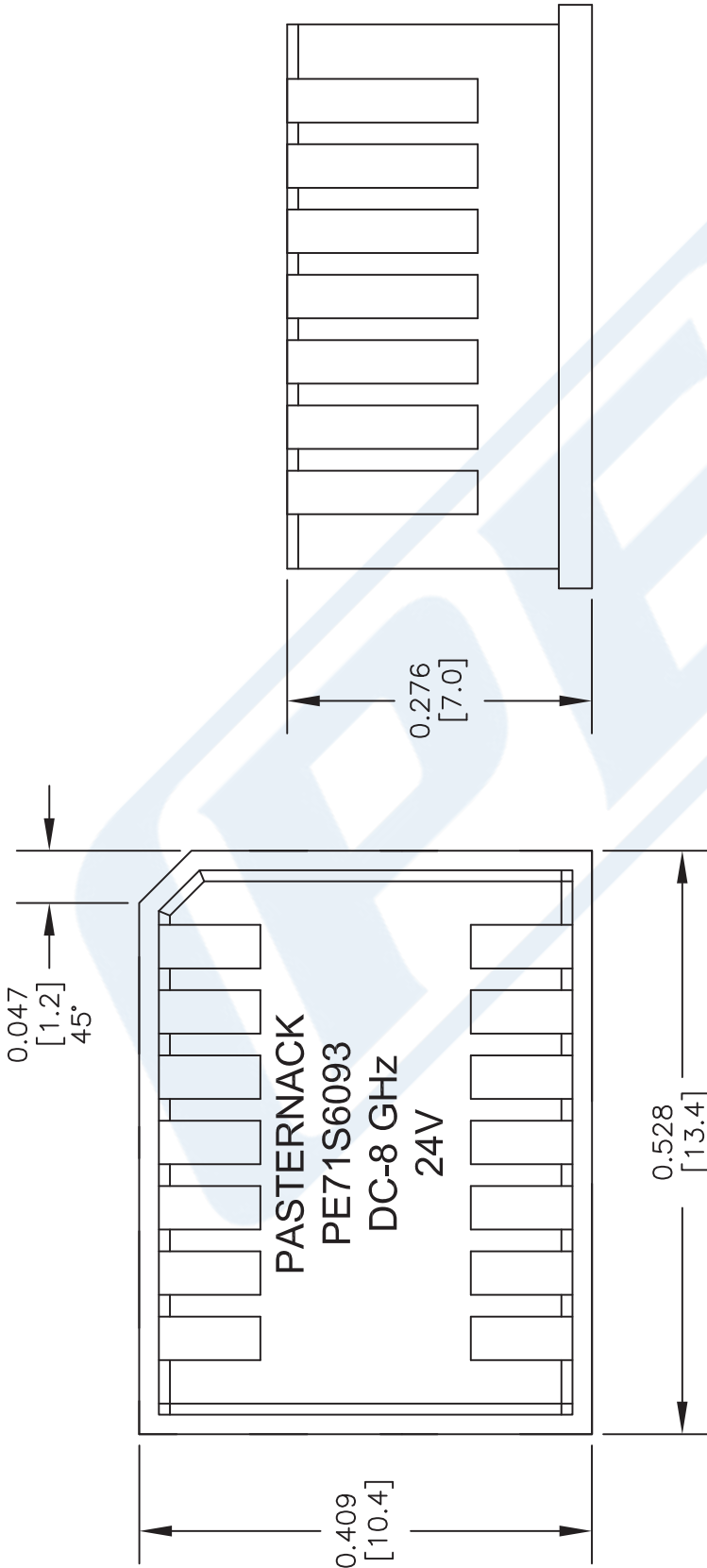
6-Quality check:

Verify by visual inspection that component is centered on the mounting pads.

Solder joints: verify by visual inspection that the formations of meniscus on the RF pads are proper, and have a capillarity amount higher than one third of the height.

PE71S6093 CAD Drawing

SPDT Electromechanical Relay Latching Switch, DC to 8 GHz, up to 400W, 24V, Hot Switching, SMT



NOTES:
 1. UNLESS OTHERWISE SPECIFIED ALL DIMENSIONS ARE NOMINAL.
 2. ALL SPECIFICATIONS ARE SUBJECT TO CHANGE WITHOUT NOTICE AT ANY TIME.
 3. DIMENSIONS ARE IN INCHES [mm].

DWG TITLE
PE71S6093

FSCM NO. 53919

CAD FILE 082114

SCALE N/A

SIZE A

150

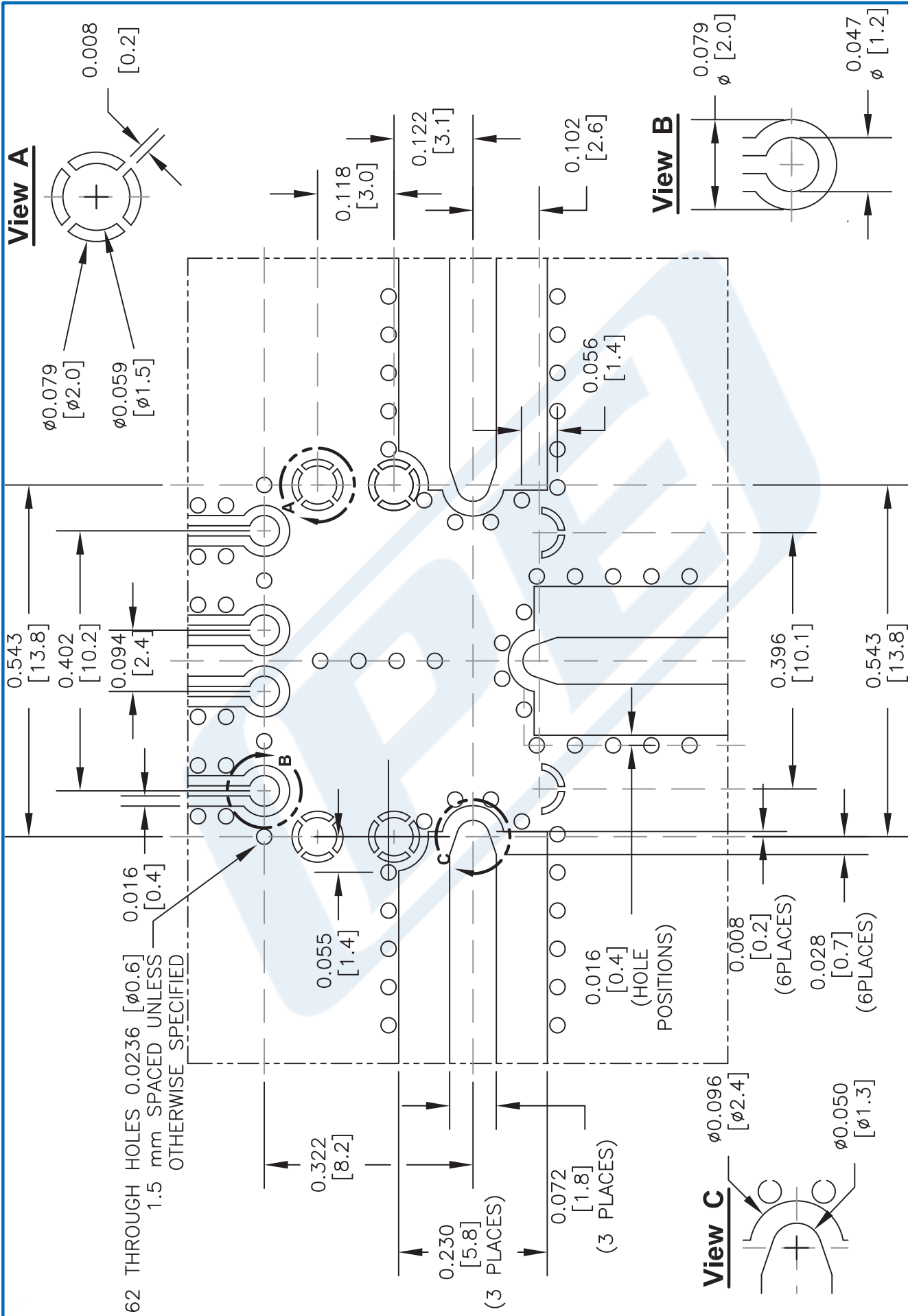
(PE) PASTERNAK®
 THE ENGINEER'S RF SOURCE
 Pasternack Enterprises, Inc.
 P.O. Box 16759 | Irvine | CA | 92623

Phone: (949) 261-1920 | Fax: (949) 261-7451

Website: www.pasternack.com | E-Mail: sales@pasternack.com

PE71S6093 CAD Drawing

SPDT Electromechanical Relay Latching Switch, DC to 8 GHz, up to 400W, 24V, Hot Switching, SMT



62 THROUGH HOLES 0.0236 [0.6] 1.5 mm SPACED UNLESS OTHERWISE SPECIFIED

NOTES:
 1. UNLESS OTHERWISE SPECIFIED ALL DIMENSIONS ARE NOMINAL.
 2. ALL SPECIFICATIONS ARE SUBJECT TO CHANGE WITHOUT NOTICE AT ANY TIME.
 3. DIMENSIONS ARE IN INCHES [mm].

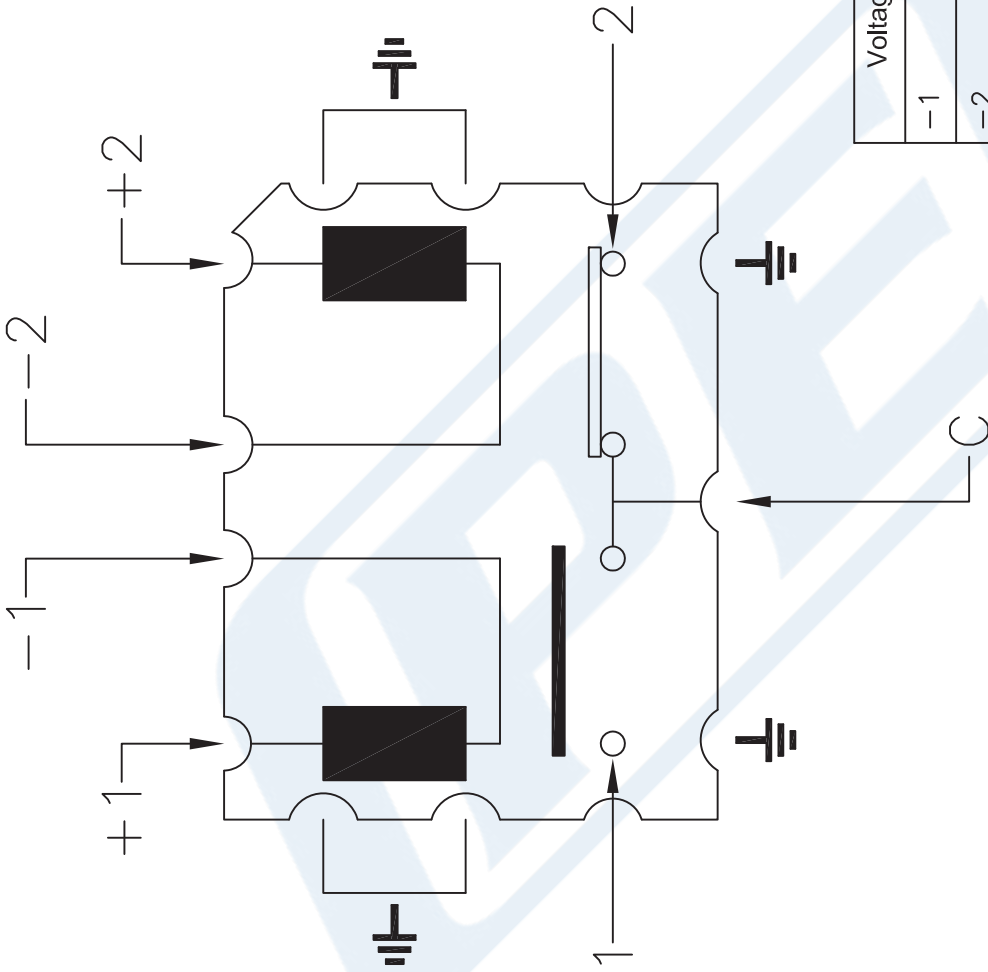
DWG TITLE
PE71S6093

PE PASTERNAK
 THE ENGINEER'S RF SOURCE
 Pasternack Enterprises, Inc.
 P.O. Box 16759 | Irvine | CA | 92623
 Phone: (949) 261-1920 | Fax: (949) 261-7451
 Website: www.pasternack.com | E-Mail: sales@pasternack.com

| | | | | | |
|----------|--------|-------|-----|------|---|
| CAD FILE | 082114 | SCALE | N/A | SIZE | A |
| FSCM NO. | 53919 | | | | |

PE71S6093 CAD Drawing

SPDT Electromechanical Relay Latching Switch, DC to 8 GHz, up to 400W, 24V, Hot Switching, SMT



LATCHING MODEL (TYPE 3)

DWG TITLE

PE71S6093

NOTES:
 1. UNLESS OTHERWISE SPECIFIED ALL DIMENSIONS ARE NOMINAL.
 2. ALL SPECIFICATIONS ARE SUBJECT TO CHANGE WITHOUT NOTICE AT ANY TIME.
 3. DIMENSIONS ARE IN INCHES [mm].

PE PASTERNAK®
 THE ENGINEER'S RF SOURCE
 Pasternack Enterprises, Inc.
 P.O. Box 16759 | Irvine | CA | 92623
 Phone: (949) 261-1920 | Fax: (949) 261-7451
 Website: www.pasternack.com | E-Mail: sales@pasternack.com

FSCM NO. 53919

CAD FILE 121214

SCALE N/A

SIZE A

150