



SP6T Electromechanical Relay Latching Switch DC to 40 GHz,
 2.92mm, 5 Watts, 28V Control with Self Cut Off, Reset, Diodes

Electromechanical Relay Switches Technical Data Sheet

PE71S6078

Features

- Single Pole Six Throw Relay Switch
- DC to 40 GHz Frequency Range
- 2M Cycle Min Operating Life
- 5 Watt Avg Power Max
- -40 to +85 Deg C Operating Temperature
- Insertion Loss 1.1 dB Max
- VSWR 2.2:1 Max

Applications

- High Performance Relay Switch
- Military Communications
- Communications Systems
- Test & Measurement

Description

The PE71S6078 is a Single Pole Six Throw Electromechanical Relay Switch that operates from DC to 40 GHz and can handle up to 40 Watts of CW input power in a Break Before Make condition. The design features a Latching Actuator with Diodes, Self Cut Off and Reset circuitry and is rated for 2M Life Cycles for high reliability operation. Insertion loss is specified from 0.2 dB max and Isolation from 70 dB min, with +28 Vdc operating voltage. Performance is guaranteed over -40°C to +85°C and the switch assembly is RoHS and REACH compliant. The package interface uses solder terminals and 2.92mm Female connectors.

Electrical Specifications

Switch Type	SP6T, Reflective
Actuator Type	Latching
Switching Sequence	Break before Make
Actuator Options	Self Cut Off, Reset, Diodes
Polarity	Negative Common
Reset Current	750 mA
Self Cut-Off Time	40 ms < CT < 120 ms

Description	Minimum	Typical	Maximum	Units
Frequency Range	DC		40	GHz
Impedance		50		Ohms
Operating Voltage	24	28	30	Volts
Actuating Current @ 28 Volts		125		mA
VSWR			2.2:1	
Insertion Loss			1.1	dB
Isolation	50			dB
Input Power (CW)			5	Watts

Click the following link (or enter part number in "SEARCH" on website) to obtain additional part information including price, inventory and certifications: [SP6T Electromechanical Relay Latching Switch DC to 40 GHz, 2.92mm, 5 Watts, 28V Control with Self Cut Off, Reset, Diodes PE71S6078](#)



SP6T Electromechanical Relay Latching Switch DC to 40 GHz,
2.92mm, 5 Watts, 28V Control with Self Cut Off, Reset, Diodes

Electromechanical Relay Switches Technical Data

PE71S6078

Performance by Frequency

Description	F1	F2	F3	F4	F5	Units
Frequency Range	DC to 6	6 to 12.4	12.4 to 18	18 to 26.5	26.5 to 40	GHz
VSWR, Max	1.3:1	1.4:1	1.5:1	1.7:1	2.2:1	
Insertion Loss, Max	0.2	0.4	0.5	0.7	1.1	dB
Isolation, Min	70	60	60	55	50	dB
Input Power, Max (CW)	40	30	25	15	5	Watts

Electrical Specification Notes:
Average Power and Actuating Current values at 25°C.
Reset: supply voltage time 1 sec max./10% duty cycle.

Mechanical Specifications

Size

Length	2.19 in [55.63 mm]
Width/Diameter	2.25 in [57.15 mm]
Height	2.25 in [57.15 mm]
Weight	0.49 lbs [222.26 g]
Package Type	Connectorized Module
Operating Life	2,000,000 Cycles
Switching Time	15 ms Max

Connectors

RF Connector Type	2.92mm Female
RF Connector Specification	MIL C 39012
Control Connector	Solder Pins

Mechanical Specification Notes:
Solder Pins: 250°C max/30sec.

Environmental Specifications

Temperature

Operating Range	-40 to +85 deg C
Storage Range	-55 to +85 deg C

Construction
Humidity
Shock

Splashproof
MIL-DTE-3928E, Cond.B
MIL-STD-202, Method 213B, Cond.C

Click the following link (or enter part number in "SEARCH" on website) to obtain additional part information including price, inventory and certifications: [SP6T Electromechanical Relay Latching Switch DC to 40 GHz, 2.92mm, 5 Watts, 28V Control with Self Cut Off, Reset, Diodes PE71S6078](#)



SP6T Electromechanical Relay Latching Switch DC to 40 GHz,
2.92mm, 5 Watts, 28V Control with Self Cut Off, Reset, Diodes

Electromechanical Relay Switches Technical Data

PE71S6078

Vibration
ESD Sensitivity



Environmental Specification Notes:
Environmental specifications are guaranteed but not tested.

Compliance Certifications (visit www.Pasternack.com for current document)

RoHS Compliant

REACH Compliant

12/17/2014

Plotted and Other Data

Notes:

- Values shown are typical at 25°C.

MIL-STD-202, Method 204D, Cond.D

ESD Sensitive Material. Transport material in approved
ESD bags. Handle in approved ESD Workstation.

Click the following link (or enter part number in "SEARCH" on website) to obtain additional part information including price, inventory and certifications: [SP6T Electromechanical Relay Latching Switch DC to 40 GHz, 2.92mm, 5 Watts, 28V Control with Self Cut Off, Reset, Diodes PE71S6078](#)

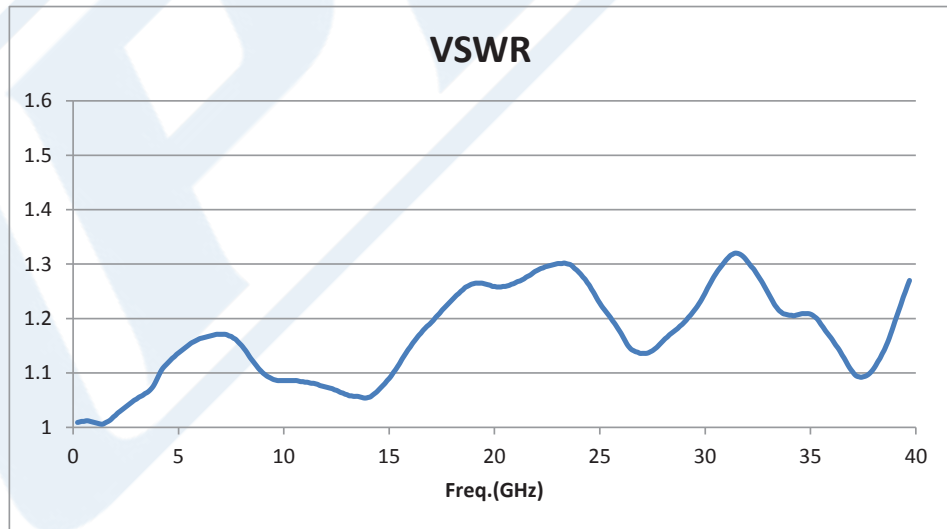
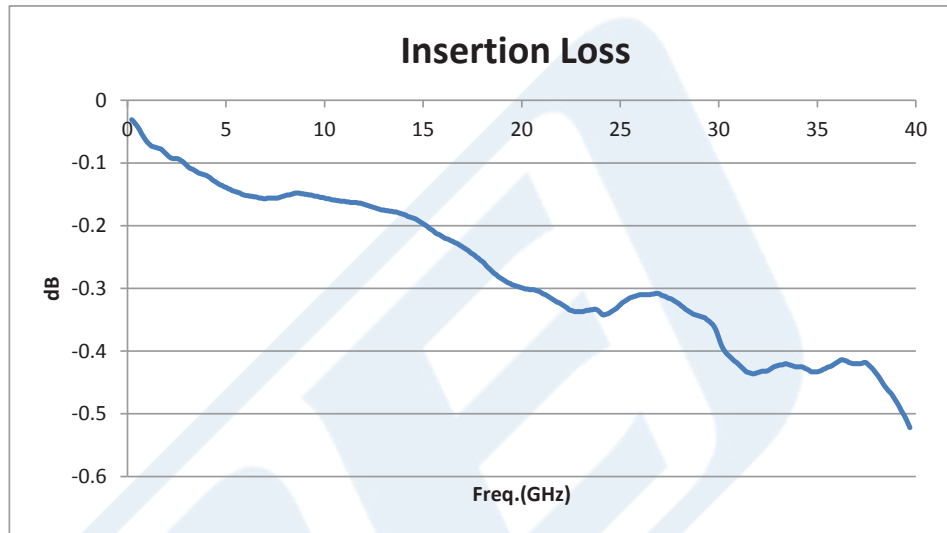


SP6T Electromechanical Relay Latching Switch DC to 40 GHz,
2.92mm, 5 Watts, 28V Control with Self Cut Off, Reset, Diodes

Electromechanical Relay Switches Technical Data

PE71S6078

Typical Performance Data



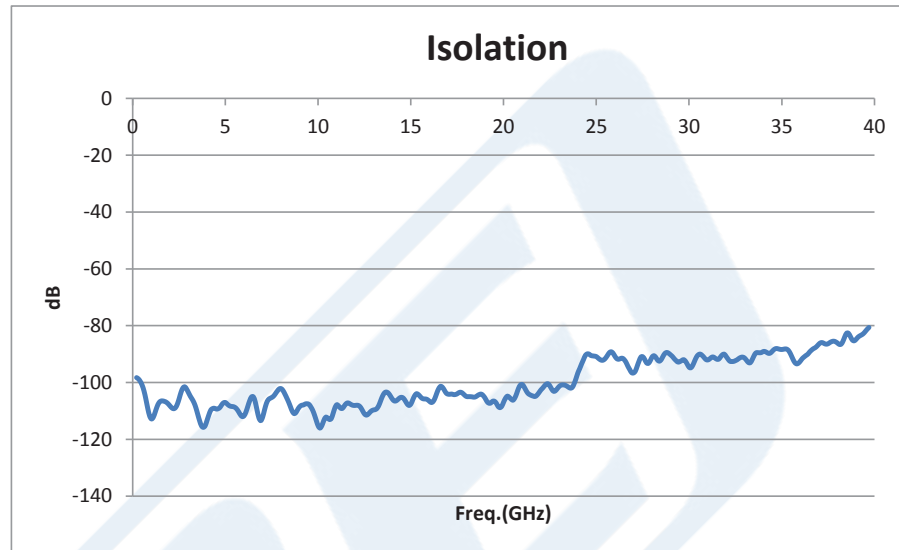
Click the following link (or enter part number in "SEARCH" on website) to obtain additional part information including price, inventory and certifications: [SP6T Electromechanical Relay Latching Switch DC to 40 GHz, 2.92mm, 5 Watts, 28V Control with Self Cut Off, Reset, Diodes PE71S6078](#)



SP6T Electromechanical Relay Latching Switch DC to 40 GHz,
2.92mm, 5 Watts, 28V Control with Self Cut Off, Reset, Diodes

Electromechanical Relay Switches Technical Data

PE71S6078



Click the following link (or enter part number in "SEARCH" on website) to obtain additional part information including price, inventory and certifications: [SP6T Electromechanical Relay Latching Switch DC to 40 GHz, 2.92mm, 5 Watts, 28V Control with Self Cut Off, Reset, Diodes PE71S6078](#)



SP6T Electromechanical Relay Latching Switch DC to 40 GHz,
2.92mm, 5 Watts, 28V Control with Self Cut Off, Reset, Diodes

Electromechanical Relay Switches Technical Data

PE71S6078

SP6T Electromechanical Relay Latching Switch DC to 40 GHz, 2.92mm, 5 Watts, 28V Control with Self Cut Off, Reset, Diodes from Pasternack Enterprises has same day shipment for domestic and International orders. Our RF, microwave and millimeter wave products maintain a 99% availability and are part of the broadest selection in the industry.

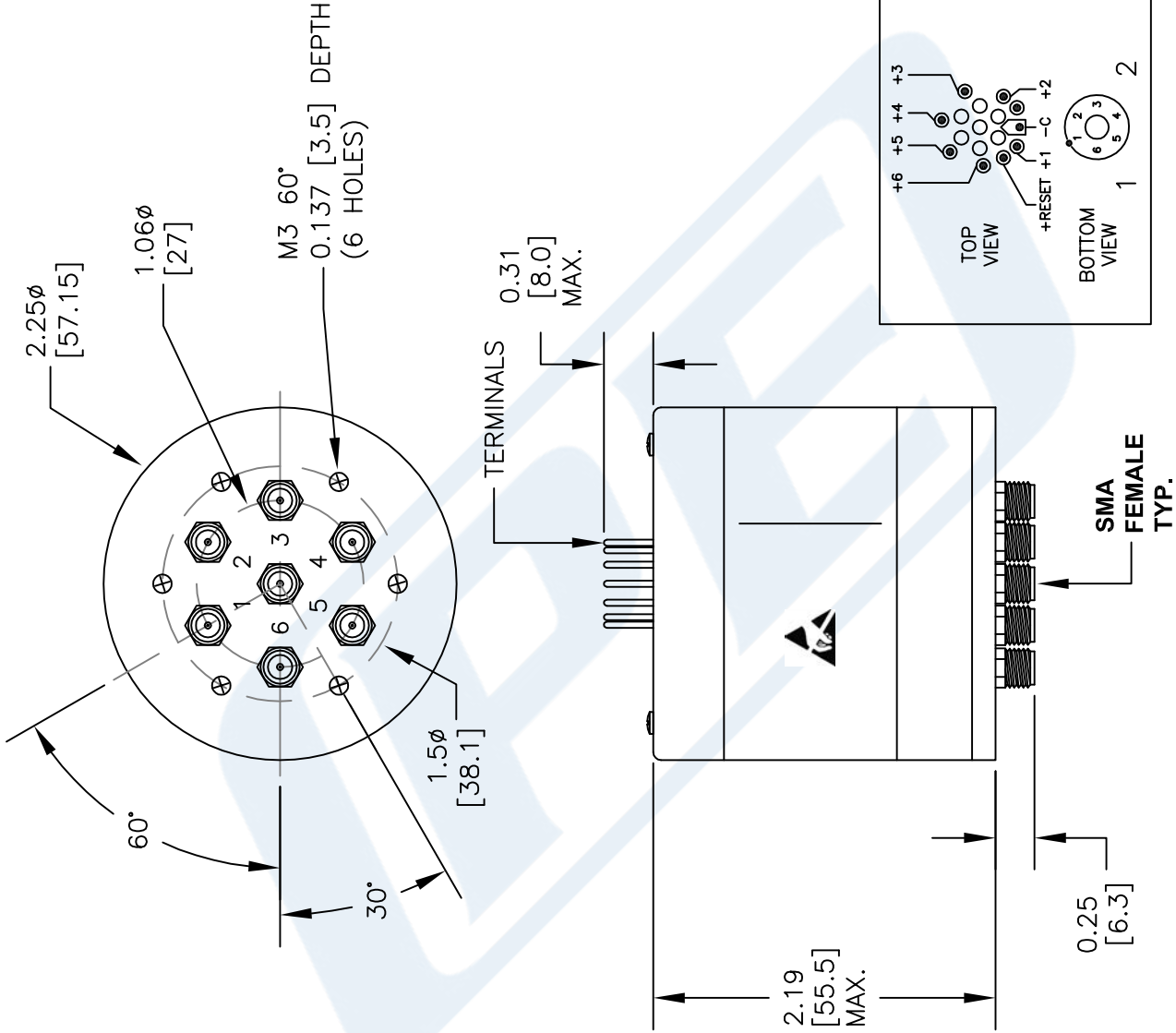
Click the following link (or enter part number in "SEARCH" on website) to obtain additional part information including price, inventory and certifications: [SP6T Electromechanical Relay Latching Switch DC to 40 GHz, 2.92mm, 5 Watts, 28V Control with Self Cut Off, Reset, Diodes PE71S6078](#)

URL: <http://www.pasternack.com/2.92mm-sp6t-electromechanical-relay-switch-40-ghz-latching-pe71s6078-p.aspx>

The information contained in this document is accurate to the best of our knowledge and representative of the part described herein. It may be necessary to make modifications to the part and/or the documentation of the part, in order to implement improvements. Pasternack reserves the right to make such changes as required. Unless otherwise stated, all specifications are nominal. Pasternack does not make any representation or warranty regarding the suitability of the part described herein for any particular purpose, and Pasternack does not assume any liability arising out of the use of any part or documentation.

PE71S6078 CAD Drawing

SP6T Electromechanical Relay Latching Switch DC to 40 GHz,
2.92mm, 5 Watts, 28V Control with Self Cut Off, Reset, Diodes



PASTERNAK
PE71S6078
0 - 40 GHz
Un: 28 V
LOT: ----

TOP VIEW

BOTTOM VIEW

NOTES:
1. UNLESS OTHERWISE SPECIFIED ALL DIMENSIONS ARE NOMINAL.
2. ALL SPECIFICATIONS ARE SUBJECT TO CHANGE WITHOUT NOTICE AT ANY TIME.
3. DIMENSIONS ARE IN INCHES [mm].

DWG TITLE
PE71S6078

FSCM NO. 53919

CAD FILE 082214

SCALE N/A

SIZE A

150

PE PASTERNAK
THE ENGINEER'S RF SOURCE

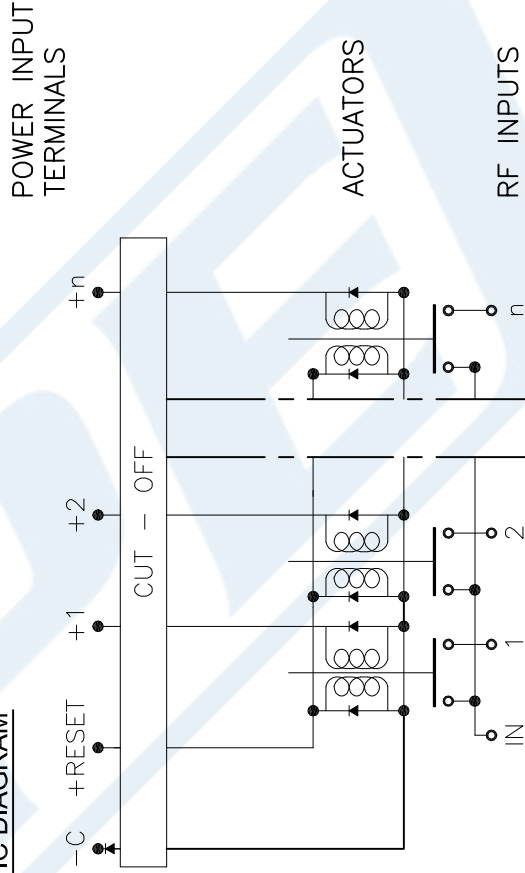
Pasternack Enterprises, Inc.
P.O. Box 16759 | Irvine | CA | 92623
Phone: (949) 261-1920 | Fax: (949) 261-7451
Website: www.pasternack.com | E-Mail: sales@pasternack.com

PE71S6078 CAD Drawing

SP6T Electromechanical Relay Latching Switch DC to 40 GHz,
2.92mm, 5 Watts, 28V Control with Self Cut Off, Reset, Diodes

Voltage	RF Continuity
- C + RESET	ALL PORTS OPEN
- C + 1	IN ↔ 1
- C + 2	IN ↔ 2
- C + 3	IN ↔ 3
- C + 4	IN ↔ 4
- C + 5	IN ↔ 5
- C + 6	IN ↔ 6

SCHEMATIC DIAGRAM



DWG TITLE

PE71S6078

NOTES:
1. UNLESS OTHERWISE SPECIFIED ALL DIMENSIONS ARE NOMINAL.
2. ALL SPECIFICATIONS ARE SUBJECT TO CHANGE WITHOUT NOTICE AT ANY TIME.
3. DIMENSIONS ARE IN INCHES [mm].

Pasternack Enterprises, Inc.
P.O. Box 16759 | Irvine | CA | 92623
Phone: (949) 261-1920 | Fax: (949) 261-7451
Website: www.pasternack.com | E-Mail: sales@pasternack.com

FSCM NO. 53919

CAD FILE 120214

SCALE N/A

SIZE A

150