



Transfer Electromechanical Relay Failsafe Switch,
DC to 18 GHz, up to 240W, 12V, SMA

Electromechanical Relay Switches Technical Data Sheet

PE71S6066

Features

- Transfer Relay Switch
- DC to 18 GHz Frequency Range
- 2.5M Cycle Min Operating Life
- 100 Watt Avg Power Max
- -40 to +85 Deg C Operating Temperature
- Insertion Loss 0.5 dB Max
- VSWR 1.5:1 Max

Applications

- High Performance Relay Switch
- Military Communications
- Communications Systems
- Test & Measurement

Description

The PE71S6066 is a Transfer Electromechanical Relay Switch that operates from DC to 18 GHz and can handle up to 240 Watts of CW input power in a Break Before Make condition. The design features a Failsafe Actuator and is rated for 2.5M Life Cycles for high reliability operation. Insertion loss is specified from 0.2 dB max and Isolation from 80 dB min, with +12 Vdc operating voltage. Performance is guaranteed over -40°C to +85°C and the switch assembly is RoHS and REACH compliant. The package interface uses solder terminals and SMA Female connectors.

Electrical Specifications

Switch Type Transfer
Actuator Type Failsafe
Switching Sequence Break before Make

Description	Minimum	Typical	Maximum	Units
Frequency Range	DC		18	GHz
Impedance		50		Ohms
Operating Voltage	10.2	12	13	Volts
Actuating Current @ 12 Volts		340		mA
VSWR			1.5:1	
Insertion Loss			0.5	dB
Isolation	60			dB
Input Power (CW)			100	Watts
Switching Time			15	ms Max

Click the following link (or enter part number in "SEARCH" on website) to obtain additional part information including price, inventory and certifications: [Transfer Electromechanical Relay Failsafe Switch, DC to 18 GHz, up to 240W, 12V, SMA PE71S6066](#)



Transfer Electromechanical Relay Failsafe Switch,
DC to 18 GHz, up to 240W, 12V, SMA

Electromechanical Relay Switches Technical Data

PE71S6066

Performance by Frequency

Description	F1	F2	F3	F4	F5	Units
Frequency Range	DC to 3	3 to 8	8 to 12.4	12.4 to 18		GHz
VSWR, Max	1.2:1	1.3:1	1.4:1	1.5:1		
Insertion Loss, Max	0.2	0.3	0.4	0.5		dB
Isolation, Min	80	70	65	60		dB
Input Power, Max (CW)	240	150	120	100		Watts

Electrical Specification Notes:
Average Power and Actuating Current values at 25°C.

Mechanical Specifications

Size

Length	1.53 in [38.86 mm]
Width/Diameter	1.27 in [32.26 mm]
Height	1.33 in [33.78 mm]
Weight	0.181 lbs [82.1 g]
Package Type	Connectorized
Operating Life	2,500,000 Cycles

Connectors

RF Connector Type	SMA Female
RF Connector Specification	MIL C 39012
Control Connector	Solder Pin

Mechanical Specification Notes:
Solder Pins: 250°C max/30sec.

Environmental Specifications

Temperature

Operating Range	-40 to +85 deg C
Storage Range	-55 to +85 deg C

Construction

Shock	Splashproof
Vibration	MIL-STD-202, Method 213B, Cond.G MIL-STD-202, Method 204D, Cond.C

Environmental Specification Notes:
Environmental specifications are guaranteed but not tested.

Click the following link (or enter part number in "SEARCH" on website) to obtain additional part information including price, inventory and certifications: [Transfer Electromechanical Relay Failsafe Switch, DC to 18 GHz, up to 240W, 12V, SMA PE71S6066](#)



Transfer Electromechanical Relay Failsafe Switch,
DC to 18 GHz, up to 240W, 12V, SMA

Electromechanical Relay Switches Technical Data

PE71S6066

Compliance Certifications (see [product page](#) for current document)

Plotted and Other Data

Notes:

- Values shown are typical at 25°C.

Click the following link (or enter part number in "SEARCH" on website) to obtain additional part information including price, inventory and certifications: [Transfer Electromechanical Relay Failsafe Switch, DC to 18 GHz, up to 240W, 12V, SMA PE71S6066](#)

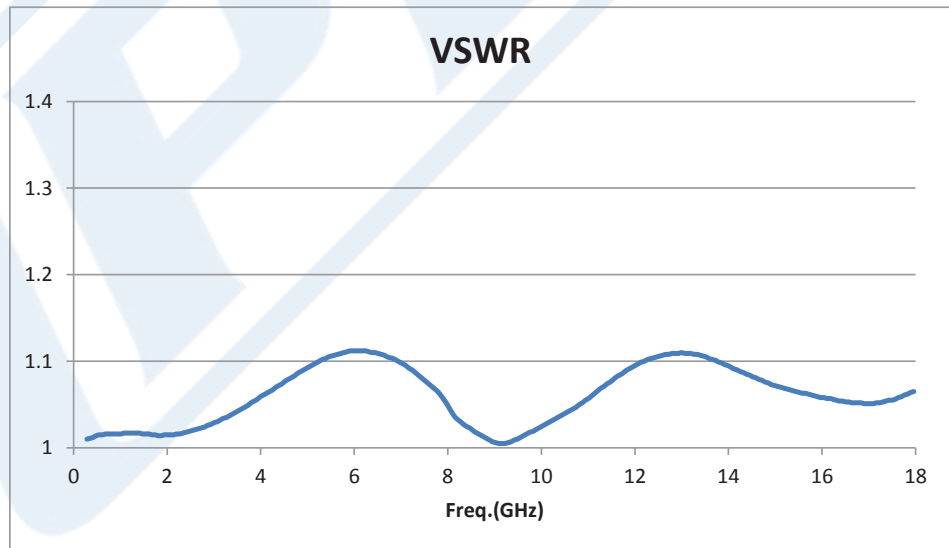
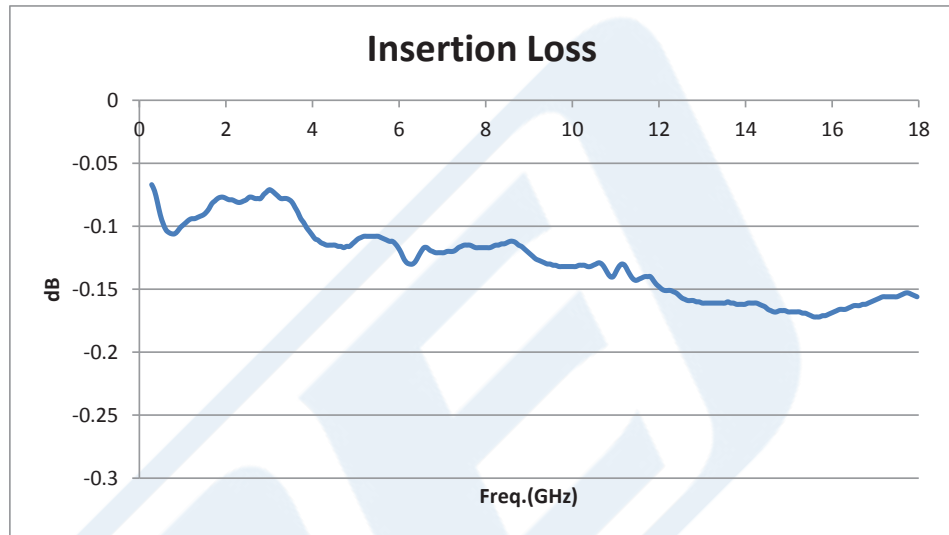


Transfer Electromechanical Relay Failsafe Switch,
DC to 18 GHz, up to 240W, 12V, SMA

Electromechanical Relay Switches Technical Data

PE71S6066

Typical Performance Data



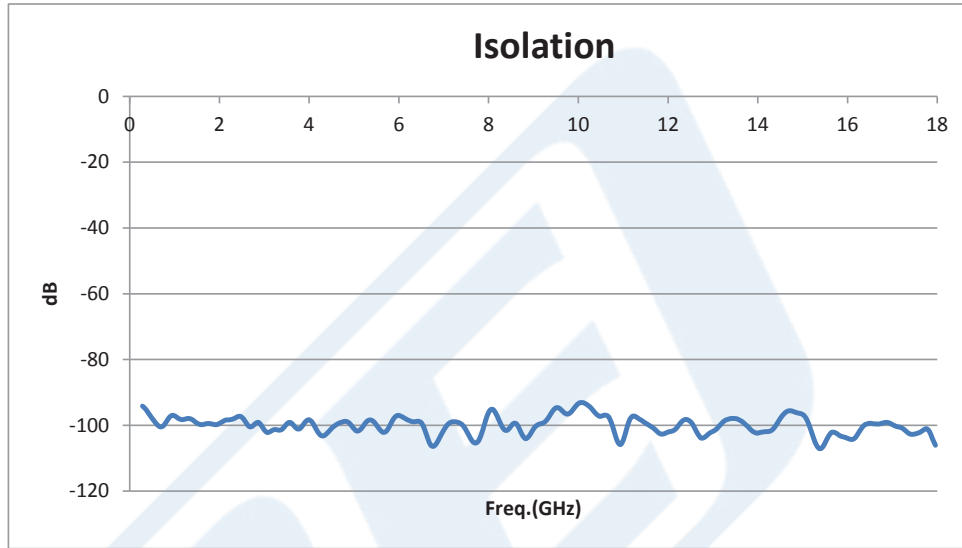
Click the following link (or enter part number in "SEARCH" on website) to obtain additional part information including price, inventory and certifications: [Transfer Electromechanical Relay Failsafe Switch, DC to 18 GHz, up to 240W, 12V, SMA PE71S6066](#)



Transfer Electromechanical Relay Failsafe Switch,
DC to 18 GHz, up to 240W, 12V, SMA

Electromechanical Relay Switches Technical Data

PE71S6066



Click the following link (or enter part number in "SEARCH" on website) to obtain additional part information including price, inventory and certifications: [Transfer Electromechanical Relay Failsafe Switch, DC to 18 GHz, up to 240W, 12V, SMA PE71S6066](#)



Transfer Electromechanical Relay Failsafe Switch,
DC to 18 GHz, up to 240W, 12V, SMA

Electromechanical Relay Switches Technical Data

PE71S6066

Transfer Electromechanical Relay Failsafe Switch, DC to 18 GHz, up to 240W, 12V, SMA from Pasternack Enterprises has same day shipment for domestic and International orders. Our RF, microwave and millimeter wave products maintain a 99.4% availability and are part of the broadest selection in the industry.

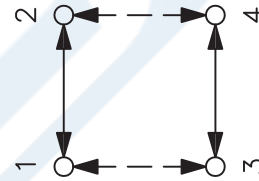
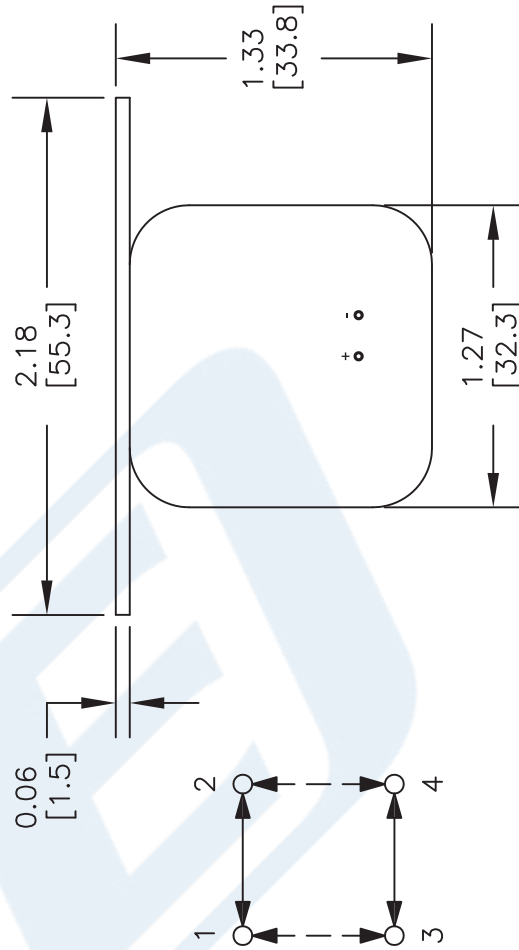
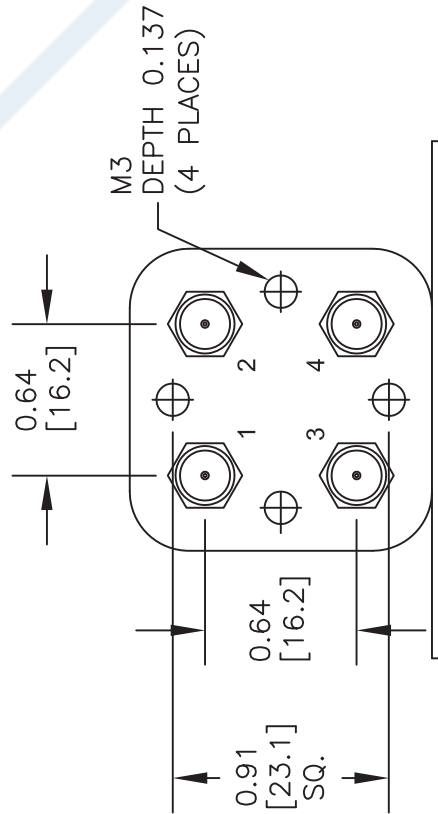
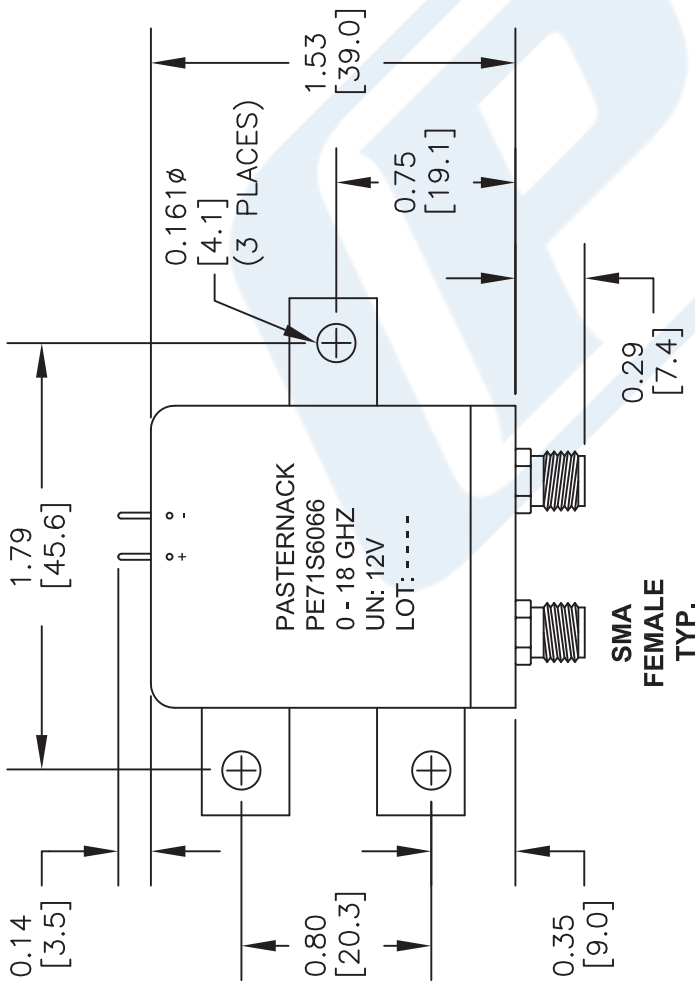
Click the following link (or enter part number in "SEARCH" on website) to obtain additional part information including price, inventory and certifications: [Transfer Electromechanical Relay Failsafe Switch, DC to 18 GHz, up to 240W, 12V, SMA PE71S6066](https://www.pasternack.com/sma-transfer-electromechanical-relay-switch-18-ghz-indicators-pe71s6066-p.aspx)

URL: <https://www.pasternack.com/sma-transfer-electromechanical-relay-switch-18-ghz-indicators-pe71s6066-p.aspx>

The information contained in this document is accurate to the best of our knowledge and representative of the part described herein. It may be necessary to make modifications to the part and/or the documentation of the part, in order to implement improvements. Pasternack reserves the right to make such changes as required. Unless otherwise stated, all specifications are nominal. Pasternack does not make any representation or warranty regarding the suitability of the part described herein for any particular purpose, and Pasternack does not assume any liability arising out of the use of any part or documentation.

PE71S6066 CAD Drawing

Transfer Electromechanical Relay Failsafe Switch, DC to 18 GHz, up to 240W, 12V, SMA



DWG TITLE

PE71S6066

NOTES:
 1. UNLESS OTHERWISE SPECIFIED ALL DIMENSIONS ARE NOMINAL.
 2. ALL SPECIFICATIONS ARE SUBJECT TO CHANGE WITHOUT NOTICE AT ANY TIME.
 3. DIMENSIONS ARE IN INCHES [mm].

(PE) PASTERNAK®
 THE ENGINEERS' RF SOURCE
 Pasternack Enterprises, Inc.
 P.O. Box 16759 | Irvine | CA | 92623
 Phone: (949) 261-1920 | Fax: (949) 261-7451
 Website: www.pasternack.com | E-Mail: sales@pasternack.com

FSCM NO. 53919

CAD FILE 081514

SCALE N/A

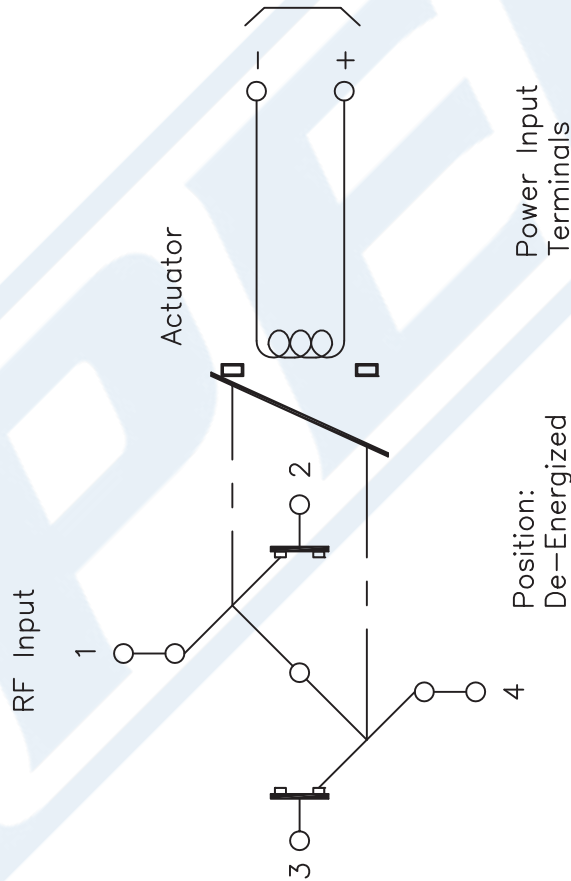
SIZE A

150

PE71S6066 CAD Drawing

Transfer Electromechanical Relay Failsafe Switch, DC to 18 GHz, up to 240W, 12V, SMA

Voltage	RF Continuity
Energized	1 ↔ 3 2 ↔ 4
De-Energized	1 ↔ 2 3 ↔ 4



SCHEMATIC DIAGRAM

NOTES:
 1. UNLESS OTHERWISE SPECIFIED ALL DIMENSIONS ARE NOMINAL.
 2. ALL SPECIFICATIONS ARE SUBJECT TO CHANGE WITHOUT NOTICE AT ANY TIME.
 3. DIMENSIONS ARE IN INCHES [mm].

DWG TITLE
PE71S6066

FSCM NO. 53919

150

(PE) PASTERNAK®
 THE ENGINEER'S RF SOURCE
 Pasternack Enterprises, Inc.
 P.O. Box 16759 | Irvine | CA | 92623

Phone: (949) 261-1920 | Fax: (949) 261-7451

Website: www.pasternack.com | E-Mail: sales@pasternack.com