



12 dB Fixed Attenuator, SMA Male to SMA Female
Brass Tri-Metal Body Rated to 1 Watt Up to 2 GHz

RF Fixed Attenuators Technical Data Sheet

PE7161-12

Features

- Bidirectional
- DC to 2 GHz Frequency Range
- Attenuation 12±0.75 dB
- Max Power 1 Watts (CW)
- VSWR < 1.2:1

Applications

- Instrumentation
- Precision measurements
- Prototyping and characterization
- Production systems

Description

Pasternack carries a wide range of fixed attenuators with a broad selection of attenuation levels, frequency ranges, and power dissipation ranges. RF microwave attenuators (also known as RF pads) lower the amplitude of a signal (attenuate) a known amount and can be used in a wide variety of applications. These attenuator pads are used when a signal needs to be reduced to protect measurement equipment or other circuitry, to extend the range of power meters and amplifiers, and to impedance match circuits by reducing the VSWR seen by adjacent components. RF attenuators can prevent signal overload in amplifiers, receivers and detectors, adjusting the signal level to a range that is optimal.

Few RF components are as commonly used as fixed coaxial attenuators, and Pasternack carries one of the largest in-stock varieties and ships them same day. The 12 dB Fixed Attenuator PE7161-12 is rated to 1 Watt and operates from DC to 2 GHz. The versatile coaxial package uses SMA male to SMA female connectors and is also REACH and RoHS compliant.

Electrical Specifications

Description	Minimum	Typical	Maximum	Units
Frequency Range	DC		2	GHz
Impedance		50		Ohms
Nominal Attenuation		12		dB
Attenuation Accuracy		±0.75		dB
VSWR			1.2:1	
Input Power, CW			1	Watts

Mechanical Specifications

Size

Length	0.86 in [21.84 mm]
Width/Diameter	0.312 in [7.92 mm]
Weight	0.0143 lbs [6.49 g]
Body Material and Plating	Brass, Tri-Metal

Click the following link (or enter part number in "SEARCH" on website) to obtain additional part information including price, inventory and certifications: [12 dB Fixed Attenuator, SMA Male to SMA Female Brass Tri-Metal Body Rated to 1 Watt Up to 2 GHz PE7161-12](#)



12 dB Fixed Attenuator, SMA Male to SMA Female
 Brass Tri-Metal Body Rated to 1 Watt Up to 2 GHz

RF Fixed Attenuators Technical Data Sheet

PE7161-12

Configuration

Design Fixed, Bidirectional
 Package Style Connectorized Module

Connectors

Description	Connector 1	Connector 2
Type	SMA Male	SMA Female
Connector Specification	MIL-STD-348	MIL-STD-348
Contact Material and Plating	Beryllium Copper, Gold	Beryllium Copper, Gold
Coupling Nut Material and Plating	Brass, Tri-Metal	
Hex Size	5/16 in.	
Torque	5 in-lbs 0.57 Nm	
Body Material and Plating	Brass, Tri-Metal	Brass, Tri-Metal

Environmental Specifications

Temperature

Operating Range -20 to +85 deg C

Compliance Certifications (visit www.Pasternack.com for current document)

RoHS Compliant
 REACH Compliant 12/17/2015

Plotted and Other Data

Notes:

12 dB Fixed Attenuator, SMA Male to SMA Female Brass Tri-Metal Body Rated to 1 Watt Up to 2 GHz from Pasternack Enterprises has same day shipment for domestic and International orders. Our RF, microwave and millimeter wave products maintain a 99% availability and are part of the broadest selection in the industry.

Click the following link (or enter part number in "SEARCH" on website) to obtain additional part information including price, inventory and certifications: [12 dB Fixed Attenuator, SMA Male to SMA Female Brass Tri-Metal Body Rated to 1 Watt Up to 2 GHz PE7161-12](http://www.Pasternack.com/12db-fixed-sma-female-sma-male-1-watt-attenuator-pe7161-12-p.aspx)

URL: <http://www.pasternack.com/12db-fixed-sma-female-sma-male-1-watt-attenuator-pe7161-12-p.aspx>

PE7161-12 CAD Drawing

12 dB Fixed Attenuator, SMA Male to SMA Female Brass Tri-Metal Body Rated to 1 Watt Up to 2 GHz

P/N	ATTEN.	FIGURE
PE7161-1	1 dB	1
PE7161-2	2 dB	1
PE7161-3	3 dB	1
PE7161-4	4 dB	1
PE7161-5	5 dB	1
PE7161-6	6 dB	1
PE7161-7	7 dB	1
PE7161-8	8 dB	1
PE7161-9	9 dB	1
PE7161-10	10 dB	1
PE7161-12	12 dB	1
PE7161-15	15 dB	1
PE7161-20	20 dB	1
PE7161-30	30 dB	2
PE7161-40	40 dB	2

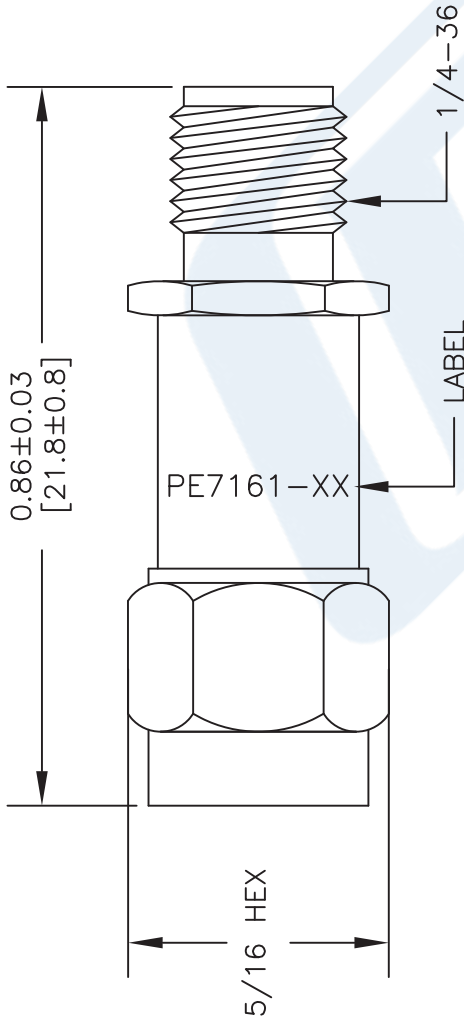


FIGURE 1

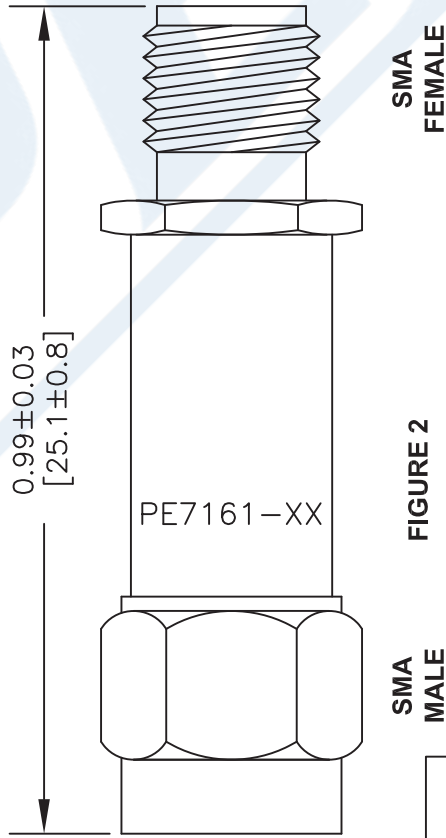


FIGURE 2

STANDARD TOLERANCES
 DECIMAL ±0.01
 .XX ±0.005
 .XXX ±0.0005

*STANDARD TOLERANCES APPLY ONLY TO DIMENSIONS IN INCHES

DWG TITLE

PE7161

PE PASTERNAK
 THE ENGINEER'S RF SOURCE
 Pasternack Enterprises, Inc.
 P.O. Box 16759 | Irvine | CA | 92623
 Phone: (949) 261-1920 | Fax: (949) 261-7451
 Website: www.pasternack.com | E-Mail: sales@pasternack.com

NOTES:
 1. UNLESS OTHERWISE SPECIFIED ALL DIMENSIONS ARE NOMINAL.
 2. ALL SPECIFICATIONS ARE SUBJECT TO CHANGE WITHOUT NOTICE AT ANY TIME.
 3. DIMENSIONS ARE IN INCHES [mm].

FSCM NO. 53919

CAD FILE 030116

SCALE N/A

SIZE A

3045