



0 to 10 dB Rotary Step Attenuator, 75 Ohm BNC  
Female To 75 Ohm BNC Female With 1 dB  
Step Rated To 1 Watt Up To 500 MHz

TECHNICAL DATA SHEET

PE7035-2

**0 to 10 dB Rotary Step Attenuator, 75 Ohm BNC Female To 75 Ohm BNC Female With 1 dB Step Rated To 1 Watt Up To 500 MHz**

**Configuration**

Design	Step, Bidirectional Attenuator
Connector 1	BNC Female
Connector 2	BNC Female

**Electrical Specifications**

Frequency Range, MHz	DC to 500
Impedance, Ohms	75
Attenuation Value, dB	0 to 10
Step Size, dB	1
Step Type	Rotary
Maximum Input Power, Watts	1
Maximum VSWR	1.3:1

**Frequency 1**

Range, MHz	DC to 500
Attenuation Accuracy, dB	± 0.25

**Mechanical Specifications**

**Temperature**

Operating Range, deg C	-20 to +85
------------------------	------------

**Size**

Length, in [mm]	4.5 [114.3]
Width, in [mm]	4 [101.6]
Height, in [mm]	4 [101.6]

**Connector 1**

Type	BNC Female
------	------------

**Connector 2**

Type	BNC Female
------	------------

Click the following link (or enter part number in "SEARCH" on website) to obtain additional part information including price, inventory and certifications: [0 to 10 dB Rotary Step Attenuator, 75 Ohm BNC Female To 75 Ohm BNC Female With 1 dB Step Rated To 1 Watt Up To 500 MHz PE7035-2](#)

The information contained in this document is accurate to the best of our knowledge and representative of the part described herein. It may be necessary to make modifications to the part and/or the documentation of the part, in order to implement improvements. Pasternack reserves the right to make such changes as required. Unless otherwise stated, all specifications are nominal.



0 to 10 dB Rotary Step Attenuator, 75 Ohm BNC  
Female To 75 Ohm BNC Female With 1 dB  
Step Rated To 1 Watt Up To 500 MHz

TECHNICAL DATA SHEET

PE7035-2

**Compliance Certifications** (visit [www.Pasternack.com](http://www.Pasternack.com) for current document)

**Plotted and Other Data**

Notes:

Values at 25 °C, sea level

0 to 10 dB Rotary Step Attenuator, 75 Ohm BNC Female To 75 Ohm BNC Female With 1 dB Step Rated To 1 Watt Up To 500 MHz from Pasternack Enterprises has same day shipment for domestic and International orders. Our RF, microwave and fiber optic products maintain a 99% availability and are part of the broadest selection in the industry.

Click the following link (or enter part number in "SEARCH" on website) to obtain additional part information including price, inventory and certifications: [0 to 10 dB Rotary Step Attenuator, 75 Ohm BNC Female To 75 Ohm BNC Female With 1 dB Step Rated To 1 Watt Up To 500 MHz PE7035-2](http://www.pasternack.com/10db-step-bnc-female-bnc-female-1-watt-attenuator-pe7035-2)

URL: <http://www.pasternack.com/10db-step-bnc-female-bnc-female-1-watt-attenuator-pe7035-2-p.aspx>

The information contained in this document is accurate to the best of our knowledge and representative of the part described herein. It may be necessary to make modifications to the part and/or the documentation of the part, in order to implement improvements. Pasternack reserves the right to make such changes as required. Unless otherwise stated, all specifications are nominal.

# PE7035-2 CAD Drawing

0 to 10 dB Rotary Step Attenuator, 75 Ohm BNC Female To 75 Ohm BNC Female With 1 dB Step Rated To 1 Watt Up To 500 MHz

P/N	MAX. ATTEN.	STEP SIZE	LENGTH (L)	DIA. (D)	A	B	FIGURE
PE7035-1	1 dB	.1	2.00" [50.8]	1.50" [38.1]	0.77" [19.6]	0.83" [21.1]	1
PE7035-2	10 dB	1	2.00" [50.8]	1.50" [38.1]	0.77" [19.6]	0.83" [21.1]	1
PE7035-3	70 dB	10	2.67" [67.8]	1.50" [38.1]	1.44" [36.6]	0.83" [21.1]	1
PE7035-4	10 dB	1	2.00" [50.8]	1.50" [38.1]	0.77" [19.6]	0.83" [21.1]	1
PE7035-5	1 dB	.1	2.00" [50.8]	1.50" [38.1]	0.77" [19.6]	0.83" [21.1]	1

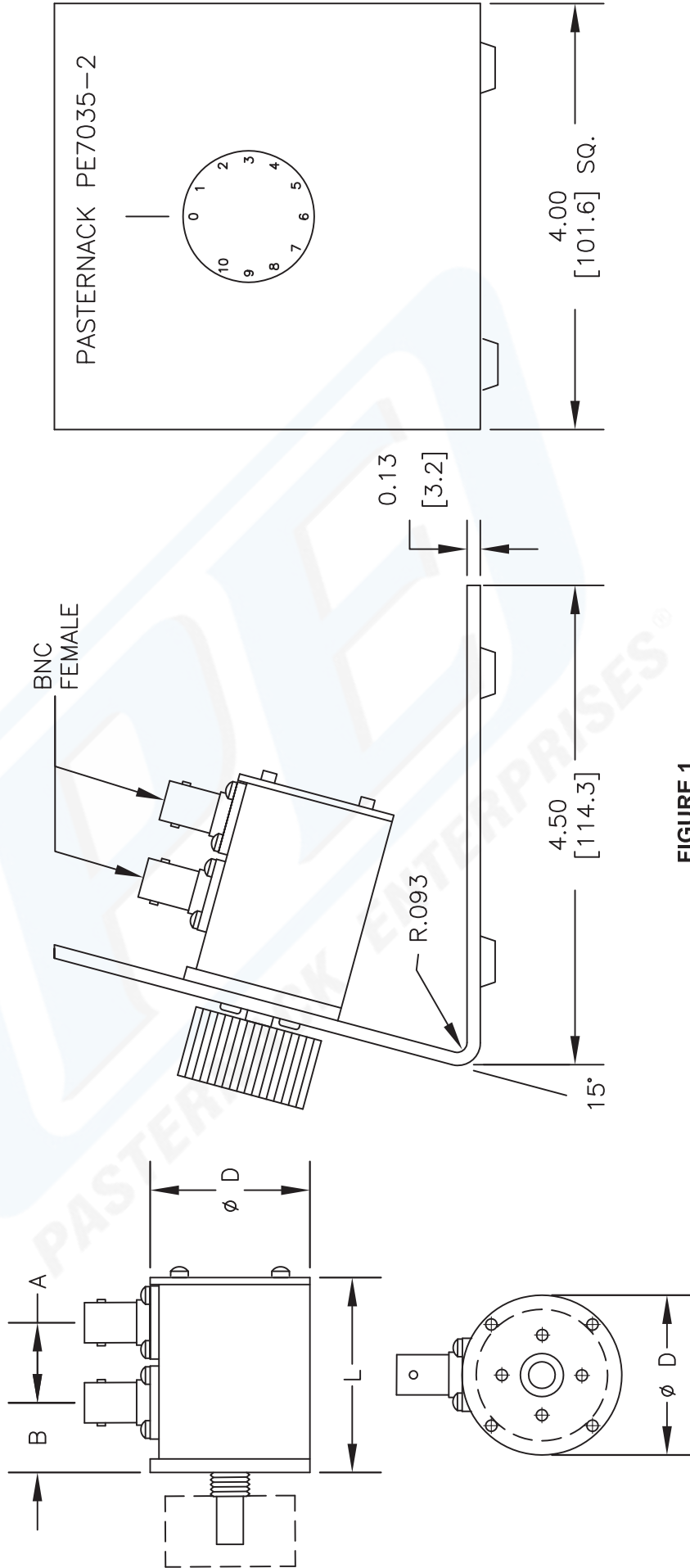


FIGURE 1



Pasternack Enterprises, Inc.  
 P.O. Box 16759 | Irvine | CA | 92623  
 Phone: (949) 261-1920 | Fax: (949) 261-7451  
 Website: www.pasternack.com | E-Mail: sales@pasternack.com

DWG TITLE

**PE7035**

NOTES:  
 1. UNLESS OTHERWISE SPECIFIED ALL DIMENSIONS ARE NOMINAL.  
 2. ALL SPECIFICATIONS ARE SUBJECT TO CHANGE WITHOUT NOTICE AT ANY TIME.  
 3. DIMENSIONS ARE IN INCHES [mm].

FSCM NO. 53919

CAD FILE 030513

SCALE N/A

SIZE A

2231