



0 to 1 dB Rotary Step Attenuator, BNC Female to BNC Female with 0.1 dB Step Rated to 2 Watts Up to 2 GHz

RF Step Attenuators Technical Data Sheet

PE7034-6

Electrical Specifications

Description	Minimum	Typical	Maximum	Units
Frequency Range	DC		2	GHz
Impedance		50		Ohms
Insertion Loss			1	dB
Attenuation Value		0 to 1		dB
Step Size		0.1		dB
Step Type		Rotary		
Input Power			2	Watts
VSWR			1.3:1	

Specifications by Frequency

Description	F1	F2	F3	F4	F5	Units
Range	DC to 0.03	0.03 to 0.5	0.5 to 2			GHz
Insertion Loss	1	1	1			dB
Attenuation Accuracy	0.01	0.03	0.05			dB

Mechanical Specifications

Size

Length	4.5 in [114.3 mm]
Width	4 in [101.6 mm]
Height	4 in [101.6 mm]
Weight	0.451 lbs [204.57 g]
Body Material and Plating	Aluminum

Connectors

Description	Connector 1	Connector 2
Type	BNC Female	BNC Female

Environmental Specifications

Temperature

Operating Range	-20 to 85 deg C
-----------------	-----------------

Click the following link (or enter part number in "SEARCH" on website) to obtain additional part information including price, inventory and certifications: [0 to 1 dB Rotary Step Attenuator, BNC Female to BNC Female with 0.1 dB Step Rated to 2 Watts Up to 2 GHz PE7034-6](#)



0 to 1 dB Rotary Step Attenuator, BNC Female to BNC Female with 0.1 dB Step Rated to 2 Watts Up to 2 GHz

RF Step Attenuators Technical Data Sheet

PE7034-6

Compliance Certifications (see [product page](#) for current document)

Plotted and Other Data

Notes:

0 to 1 dB Rotary Step Attenuator, BNC Female to BNC Female with 0.1 dB Step Rated to 2 Watts Up to 2 GHz from Pasternack Enterprises has same day shipment for domestic and International orders. Our RF, microwave and millimeter wave products maintain a 99.4% availability and are part of the broadest selection in the industry.

Click the following link (or enter part number in "SEARCH" on website) to obtain additional part information including price, inventory and certifications: [0 to 1 dB Rotary Step Attenuator, BNC Female to BNC Female with 0.1 dB Step Rated to 2 Watts Up to 2 GHz PE7034-6](#)

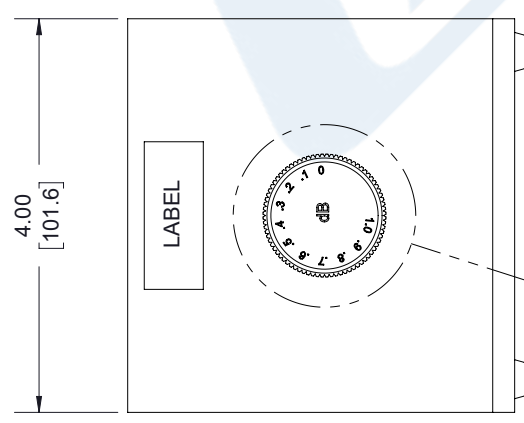
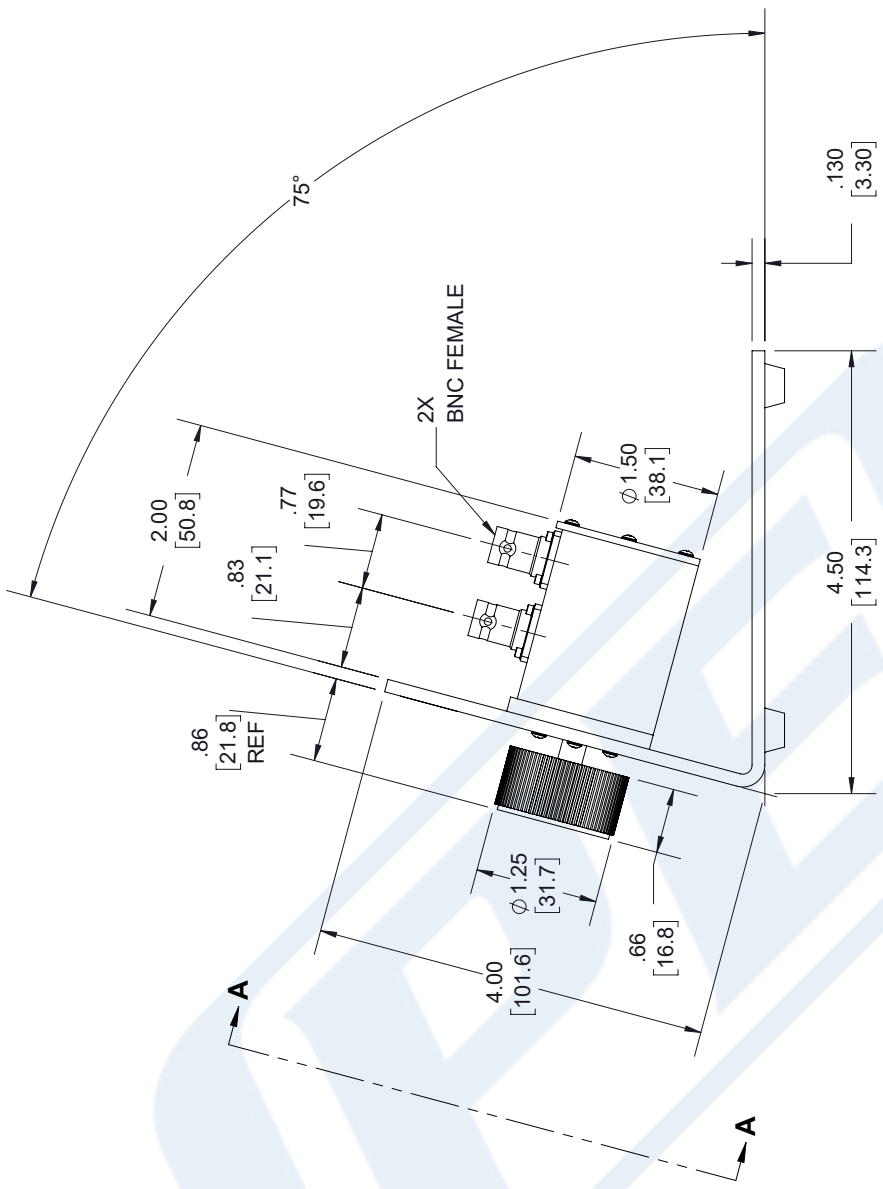
URL: <https://www.pasternack.com/1db-step-bnc-female-bnc-female-2-watts-attenuator-pe7034-6-p.aspx>

The information contained in this document is accurate to the best of our knowledge and representative of the part described herein. It may be necessary to make modifications to the part and/or the documentation of the part, in order to implement improvements. Pasternack reserves the right to make such changes as required. Unless otherwise stated, all specifications are nominal. Pasternack does not make any representation or warranty regarding the suitability of the part described herein for any particular purpose, and Pasternack does not assume any liability arising out of the use of any part or documentation.

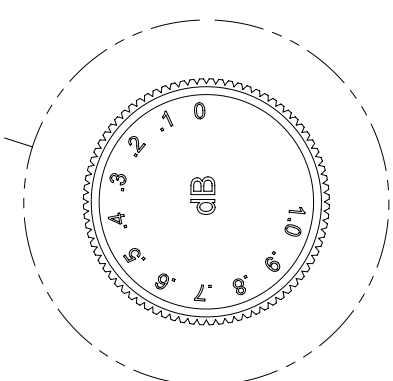
PE7034-6 CAD Drawing

0 to 1 dB Rotary Step Attenuator, BNC Female to BNC Female
with 0.1 dB Step Rated to 2 Watts Up to 2 GHz

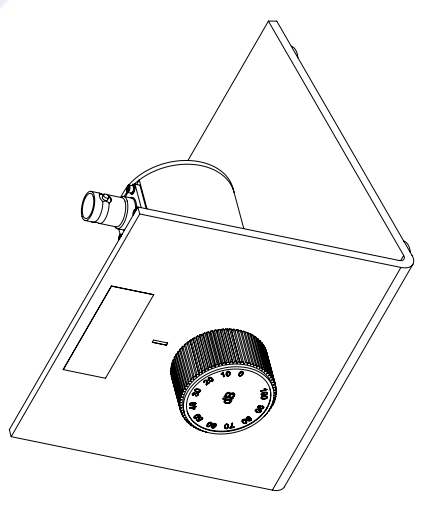
REVISIONS			
REV.	DESCRIPTION	DATE	APPROVED
A	INITIAL RELEASE	01/29/19	S.PONG



VIEW A-A



DETAIL B



UNLESS OTHERWISE SPECIFIED
LEADING DIMENSIONS ARE INCHES
DIMENSIONS IN [] ARE MILLIMETERS

TOLERANCES:
X±.2 [5.08] FRACTIONS ±.132
XX±.01 [25] ANGLES ± 1°
.XXX±.005 [13]

ALL DIMENSIONS SHOWN
ARE FOR REFERENCE ONLY.

THIRD-ANGLE PROJECTION

PE PASTERNAK
an INFINITO brand

Pasternack Enterprises, Inc.
P.O. Box 16759, Irvine, CA 92623.
Phone: 1.949.261.1920 | 1.866.727.8376
Fax: 1.949.261.7451
www.pasternack.com | e-mail: sales@pasternack.com

THE INFORMATION AND DESIGN IN THIS DOCUMENT IS THE PROPERTY OF PASTERNAK CORPORATION. ALL RIGHTS RESERVED.

SHEET 1 OF 1
SCALE N/A

SIZE A
CAGE 53919
DRAWN BY KDANG
PART NUMBER PE7034-6
REV A

PE7034-6
PASTERNAK

THESE COMMODITIES, TECHNOLOGY OR SOFTWARE WERE EXPORTED FROM THE UNITED STATES IN ACCORDANCE WITH THE EXPORT ADMINISTRATION REGULATIONS. DIVERSION CONTRARY TO U.S. LAW PROHIBITED.