



0 to 10 dB Rotary Step Attenuator, BNC Female To BNC Female With 1 dB Step Rated To 1 Watt Up To 2 GHz

TECHNICAL DATA SHEET

PE7034-3

0 to 10 dB Rotary Step Attenuator, BNC Female To BNC Female With 1 dB Step Rated To 1 Watt Up To 2 GHz

Configuration

Design	Step, Bidirectional Attenuator
Connector 1	BNC Female
Connector 2	BNC Female
Body Material and Plating	Aluminum

Electrical Specifications

Frequency Range, GHz	DC to 2
Impedance, Ohms	50
Attenuation Value, dB	0 to 10
Step Size, dB	1
Step Type	Rotary
Maximum Input Power, Watts	1
Maximum Insertion Loss, dB	0.4
Maximum VSWR	1.4:1

Frequency 1

Range, MHz	DC to 1,000
VSWR	1.2:1
Attenuation Accuracy, dB	± 0.2

Frequency 2

Range, GHz	1 to 2
VSWR	1.4:1
Attenuation Accuracy, dB	± 0.4

Mechanical Specifications

Temperature

Operating Range, deg C	-20 to +85
------------------------	------------

Size

Length, in [mm]	4.5 [114.3]
Width, in [mm]	4 [101.6]
Height, in [mm]	4 [101.6]

Connector 1

Type	BNC Female
Outer Conductor Material and Plating	Aluminum

Click the following link (or enter part number in "SEARCH" on website) to obtain additional part information including price, inventory and certifications: [0 to 10 dB Rotary Step Attenuator, BNC Female To BNC Female With 1 dB Step Rated To 1 Watt Up To 2 GHz PE7034-3](#)

The information contained in this document is accurate to the best of our knowledge and representative of the part described herein. It may be necessary to make modifications to the part and/or the documentation of the part, in order to implement improvements. Pasternack reserves the right to make such changes as required. Unless otherwise stated, all specifications are nominal.



0 to 10 dB Rotary Step Attenuator, BNC Female To BNC
Female With 1 dB Step Rated To 1 Watt Up To 2 GHz

TECHNICAL DATA SHEET

PE7034-3

Connector 2

Type

BNC Female

Compliance Certifications (visit www.Pasternack.com for current document)

Plotted and Other Data

Notes:

Values at 25 °C, sea level

0 to 10 dB Rotary Step Attenuator, BNC Female To BNC Female With 1 dB Step Rated To 1 Watt Up To 2 GHz from Pasternack Enterprises has same day shipment for domestic and International orders. Our RF, microwave and fiber optic products maintain a 99% availability and are part of the broadest selection in the industry.

Click the following link (or enter part number in "SEARCH" on website) to obtain additional part information including price, inventory and certifications: [0 to 10 dB Rotary Step Attenuator, BNC Female To BNC Female With 1 dB Step Rated To 1 Watt Up To 2 GHz PE7034-3](#)

URL: <http://www.pasternack.com/10db-step-bnc-female-bnc-female-1-watt-attenuator-pe7034-3-p.aspx>

The information contained in this document is accurate to the best of our knowledge and representative of the part described herein. It may be necessary to make modifications to the part and/or the documentation of the part, in order to implement improvements. Pasternack reserves the right to make such changes as required. Unless otherwise stated, all specifications are nominal.

PE7034-3 CAD Drawing

0 to 10 dB Rotary Step Attenuator, BNC Female To BNC Female
With 1 dB Step Rated To 1 Watt Up To 2 GHz

P/N	MAX. ATTEN.	STEP SIZE	LENGTH (L)	DIA. (D)	A	B	FIGURE
PE7034-1	1 dB	.1	2.00" [50.8]	1.50" [38.1]	0.77" [19.6]	0.83" [21.1]	1
PE7034-2	100 dB	10	2.71" [68.9]	1.30" [33.0]	1.50" [38.1]	0.65" [16.5]	1
PE7034-3	10 dB	1	1.83" [46.4]	1.30" [33.0]	0.72" [18.3]	0.63" [15.9]	1
PE7034-4	70 dB	10	2.71" [68.9]	1.30" [33.0]	1.50" [38.1]	0.65" [16.5]	1
PE7034-5	100 dB	10	4.02" [102.0]	1.30" [33.0]	2.39" [60.6]	0.97" [24.6]	1
PE7034-6	1 dB	.1	2.00" [50.8]	1.50" [38.1]	0.77" [19.6]	0.83" [21.1]	1

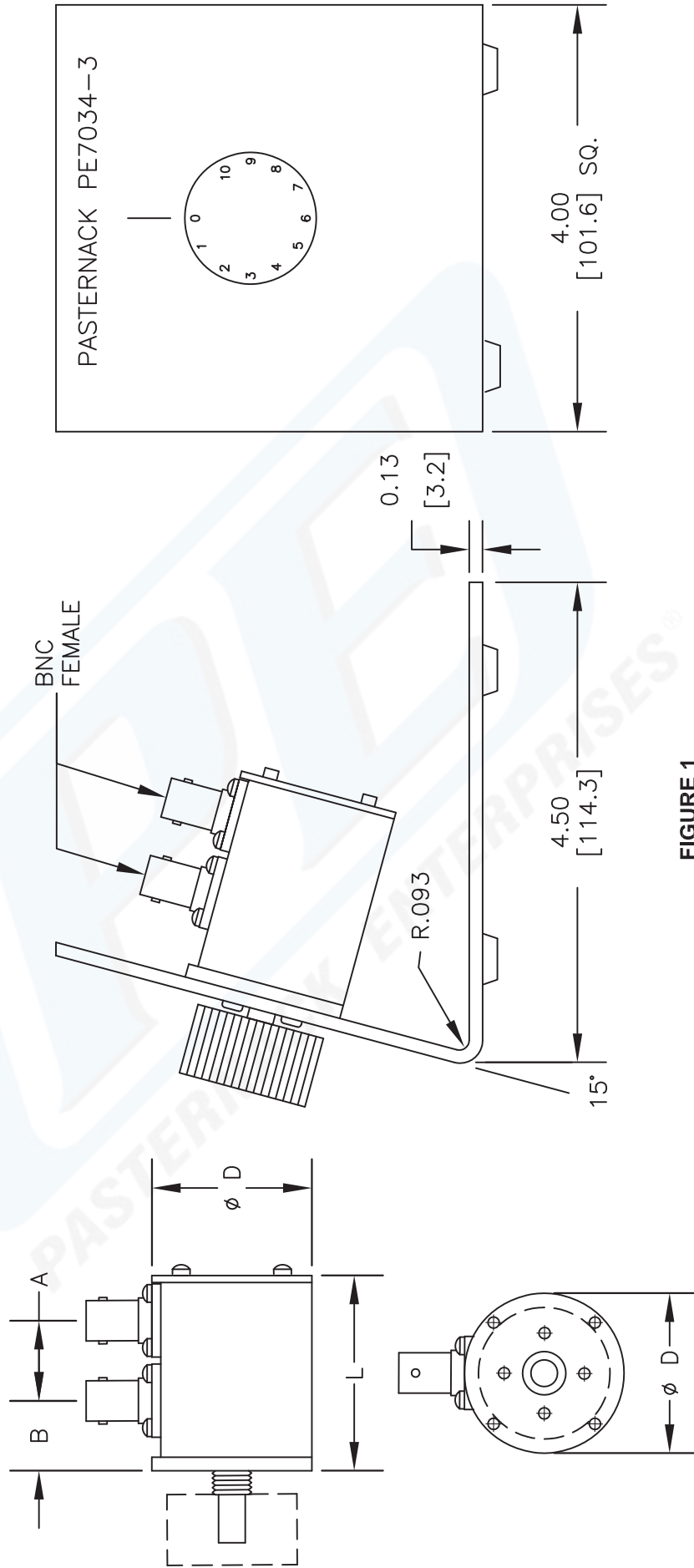


FIGURE 1

DWG TITLE

PE7034

NOTES:
1. UNLESS OTHERWISE SPECIFIED ALL DIMENSIONS ARE NOMINAL.
2. ALL SPECIFICATIONS ARE SUBJECT TO CHANGE WITHOUT NOTICE AT ANY TIME.
3. DIMENSIONS ARE IN INCHES [mm].

PE PASTERNAK®
Pasternack Enterprises, Inc.
P.O. Box 16759 | Irvine | CA | 92623
Phone: (949) 261-1920 | Fax: (949) 261-7451
Website: www.pasternack.com | E-Mail: sales@pasternack.com

FSCM NO. 53919

CAD FILE 022813

SCALE N/A

SIZE A

2231