



1 dB Fixed Attenuator, 7mm Sexless To 7mm Sexless Passivated  
Stainless Steel Body Rated To 2 Watts Up To 18 GHz

TECHNICAL DATA SHEET

PE7023-1

**1 dB Fixed Attenuator, 7mm Sexless To 7mm Sexless Passivated Stainless Steel Body Rated To 2 Watts Up To 18 GHz**

**Configuration**

Design	Fixed, Bidirectional Attenuator
Connector 1	7mm Sexless
Connector 2	7mm Sexless
Body Material and Plating	Passivated Stainless Steel

**Electrical Specifications**

Frequency Range, GHz	DC to 18
Impedance, Ohms	50
Attenuation Value, dB	1
Maximum Input Power, Watts	2
Maximum VSWR	1.25:1

**Frequency 1**

Range, GHz	DC to 18
Attenuation Accuracy, dB	± 0.4

**Mechanical Specifications**

**Size**

Length, in [mm]	2.13 [54.1]
Width, in [mm]	0.87 [22.1]

**Connector 1**

Type	7mm Sexless
Connector Specification	IEEE-STD-287

**Connector 2**

Type	7mm Sexless
Connector Specification	IEEE-STD-287

**Compliance Certifications** (visit [www.Pasternack.com](http://www.Pasternack.com) for current document)

RoHS Compliant	Yes
----------------	-----

Click the following link (or enter part number in "SEARCH" on website) to obtain additional part information including price, inventory and certifications: [1 dB Fixed Attenuator, 7mm Sexless To 7mm Sexless Passivated Stainless Steel Body Rated To 2 Watts Up To 18 GHz PE7023-1](#)

The information contained in this document is accurate to the best of our knowledge and representative of the part described herein. It may be necessary to make modifications to the part and/or the documentation of the part, in order to implement improvements. Pasternack reserves the right to make such changes as required. Unless otherwise stated, all specifications are nominal.



1 dB Fixed Attenuator, 7mm Sexless To 7mm Sexless Passivated  
Stainless Steel Body Rated To 2 Watts Up To 18 GHz

TECHNICAL DATA SHEET

PE7023-1

**Plotted and Other Data**

Notes:

Values at 25 °C, sea level

1 dB Fixed Attenuator, 7mm Sexless To 7mm Sexless Passivated Stainless Steel Body Rated To 2 Watts Up To 18 GHz from Pasternack Enterprises has same day shipment for domestic and International orders. Our RF, microwave and fiber optic products maintain a 99% availability and are part of the broadest selection in the industry.

Click the following link (or enter part number in "SEARCH" on website) to obtain additional part information including price, inventory and certifications: [1 dB Fixed Attenuator, 7mm Sexless To 7mm Sexless Passivated Stainless Steel Body Rated To 2 Watts Up To 18 GHz PE7023-1](http://www.pasternack.com/1db-fixed-7mm-female-7mm-male-2-watts-attenuator-pe7023-1-p.aspx)

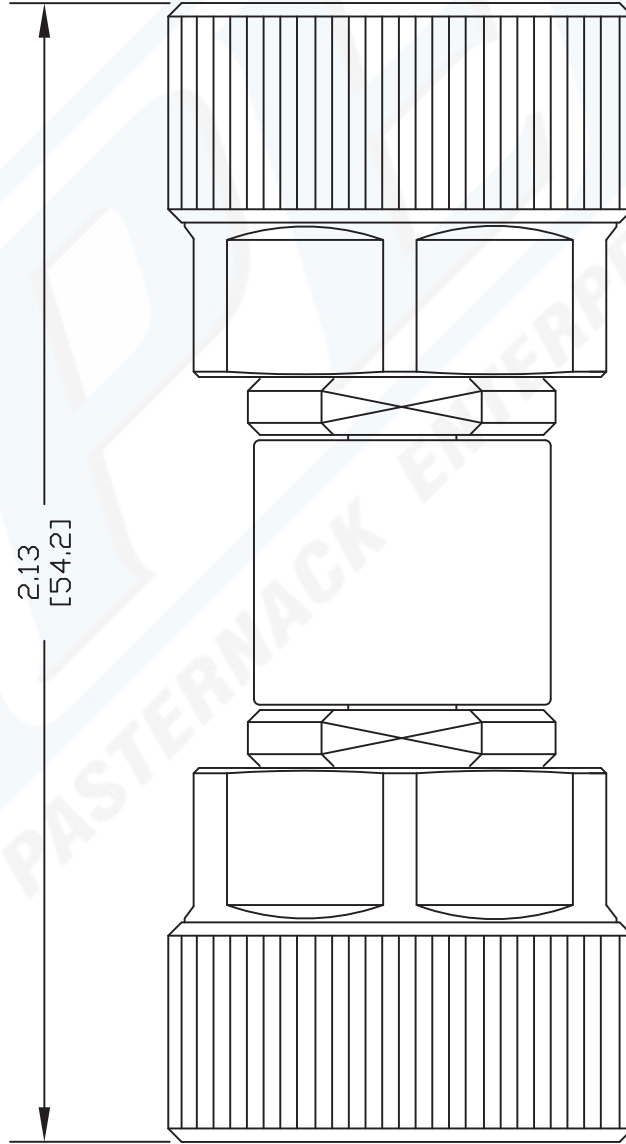
URL: <http://www.pasternack.com/1db-fixed-7mm-female-7mm-male-2-watts-attenuator-pe7023-1-p.aspx>

The information contained in this document is accurate to the best of our knowledge and representative of the part described herein. It may be necessary to make modifications to the part and/or the documentation of the part, in order to implement improvements. Pasternack reserves the right to make such changes as required. Unless otherwise stated, all specifications are nominal.

# PE7023-1 CAD Drawing

1 dB Fixed Attenuator, 7mm Sexless To 7mm Sexless Passivated  
Stainless Steel Body Rated To 2 Watts Up To 18 GHz

P/N	ATTEN.	FIGURE
PE7023-1	1 dB	1
PE7023-2	2 dB	1
PE7023-3	3 dB	1
PE7023-6	6 dB	1
PE7023-10	10 dB	1
PE7023-20	20 dB	1
PE7023-30	30 dB	1



7mm MALE

FIGURE 1

7mm MALE

NOTES:  
1. UNLESS OTHERWISE SPECIFIED ALL DIMENSIONS ARE NOMINAL.  
2. ALL SPECIFICATIONS ARE SUBJECT TO CHANGE WITHOUT NOTICE AT ANY TIME.  
3. DIMENSIONS ARE IN INCHES [mm].

DWG TITLE  
**PE7023**

**PE PASTERNAK®**  
Pasternack Enterprises, Inc.  
P.O. Box 16759 | Irvine | CA | 92623  
Phone: (949) 261-1920 | Fax: (949) 261-7451  
Website: www.pasternack.com | E-Mail: sales@pasternack.com

FSCM NO. 53919

CAD FILE 022513

SCALE N/A

SIZE A

2231