

75 Ohm BNC Male to 50 Ohm BNC Female Matching Pad Operating from DC to 3 GHz



PE7007A

Features

- DC to 3 GHz Frequency Range
- 0.5 W Max Power (CW)
- Low VSWR < 1.25:1
- 50 Ohm/75 Ohm Impedance Matching

Applications

- CATV/Cable Networks
- Test and Measurement
- Communication Systems
- Wireless Systems

Description

Pasternack's PE7007A is a 50 ohm BNC female to 75 ohm BNC male matching pad that operates from DC to 3 GHz. This BNC to BNC impedance matching pad offers a low VSWR of 1.25:1 max and attenuation of 7.5 dB max. PE7007A 50 ohm to 75 ohm minimum loss pad has a maximum CW power rating of 0.5 Watt. Matching pads are used to match the different impedance between two devices, maximizing power transfer between the two impedances. Pasternack's minimum loss impedance matching pads are available in various connector combinations to fit your needs, all of which ship the same day.

Configuration

Design	Impedance Matching Pad
Connector 1	75 Ohms BNC Male
Connector 2	50 Ohms BNC Female

Electrical Specifications

Description	Min	Typ	Max	Units
Frequency Range	DC		3	GHz
VSWR			1.25:1	
Attenuation		4	7.5	dB
Input Power, CW			0.5	Watts

Performance by Frequency

Description	F1	F2	F3	F4	F5	Units
Range	DC-0.5	0.5-1	1-3			GHz
VSWR, Max	1.1:1	1.15:1	1.25:1			

Electrical Specification Notes:

- Attenuation 4 dB max from 50 Ohm port to 75 Ohm port.
- Attenuation 7.5 dB max from 75 Ohm port to 50 Ohm port.

Mechanical Specifications

Size

Length	2.087 in [53.01 mm]
Width	0.571 in [14.5 mm]
Height	0.571 in [14.5 mm]
Weight	0.0569 lbs [25.81 g]
Package Type	Connectorized

75 Ohm BNC Male to 50 Ohm BNC Female Matching Pad Operating from DC to 3 GHz



PE7007A

Housing Material and Plating	Brass, Tri-Metal over Copper
------------------------------	------------------------------

Connector 1

Description	Connector
Type	BNC Male
Impedance	75 Ohms
Inner Conductor Material and Plating	Phosphor Bronze, Gold over Nickel over Copper
Dielectric Type	Teflon
Body Material and Plating	Brass, Tri-Metal over Copper

Connector 2

Description	Connector
Type	BNC Female
Impedance	50 Ohms
Inner Conductor Material and Plating	Phosphor Bronze, Gold over Nickel over Copper
Dielectric Type	Teflon
Body Material and Plating	Brass, Tri-Metal over Copper

Environmental Specifications

Temperature Operating Range	-30 to +70 deg C
---------------------------------------	------------------

Compliance Certifications (see [product page](#) for current document)

Plotted and Other Data

Notes:

75 Ohm BNC Male to 50 Ohm BNC Female Matching Pad Operating from DC to 3 GHz from Pasternack Enterprises has same day shipment for domestic and International orders. Our RF, microwave and millimeter wave products maintain a 99.4% availability and are part of the broadest selection in the industry.

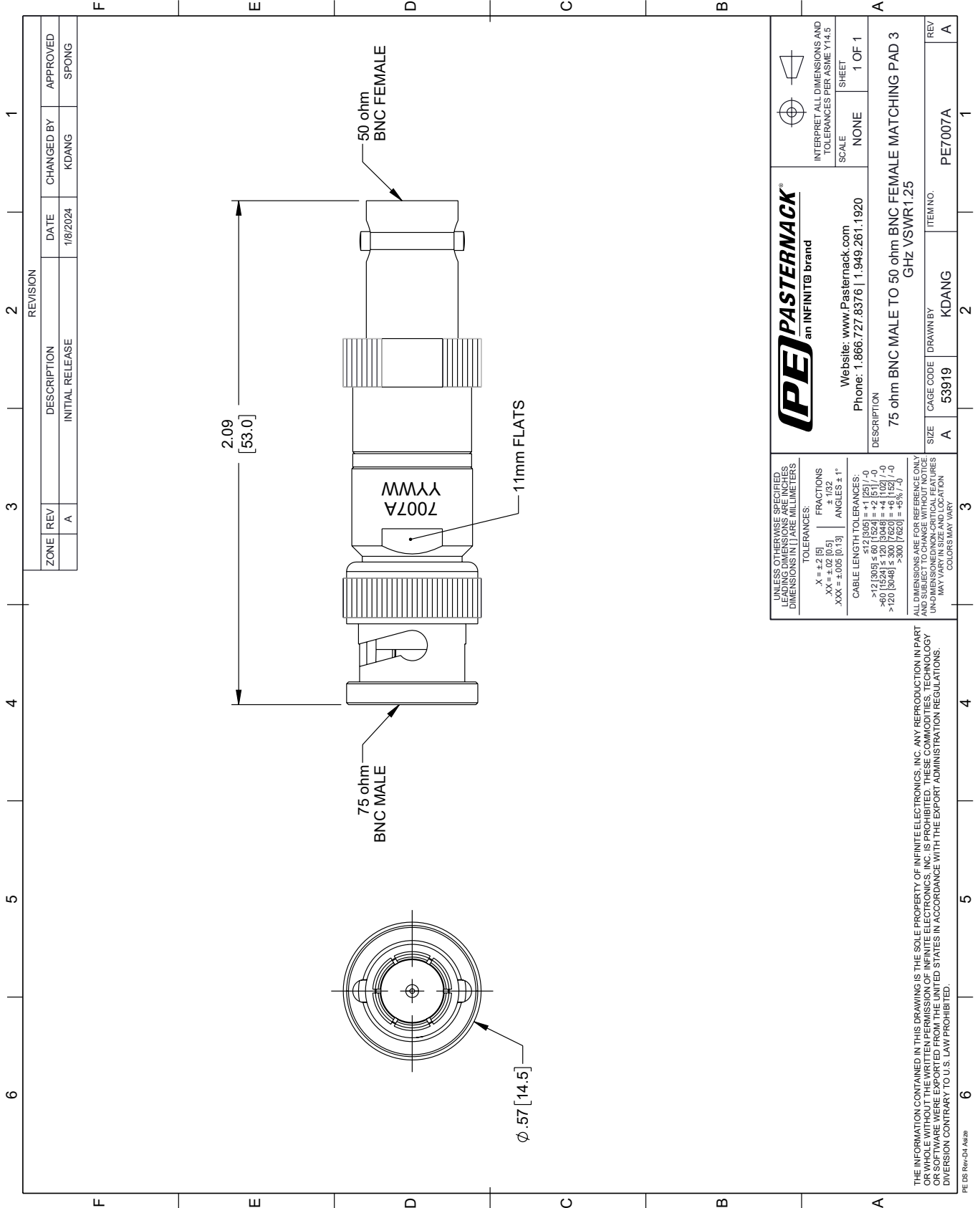
Click the following link (or enter part number in "SEARCH" on website) to obtain additional part information including price, inventory and certifications: [75 Ohm BNC Male to 50 Ohm BNC Female Matching Pad Operating from DC to 3 GHz PE7007A](#)

URL: <https://www.pasternack.com/75-ohm-bnc-male-50-ohm-bnc-female-matching-pad-3-ghz-pe7007a-p.aspx>

The information contained within this document is accurate to the best of our knowledge and representative of the part described herein. It may be necessary to make modifications to the part and/or the documentation of the part in order to implement improvements. Pasternack Enterprises reserves the right to make such changes as required. Unless otherwise stated, all specifications are nominal. Pasternack Enterprises does not make any representation or warranty regarding the suitability of the part described herein for any particular purpose, and Pasternack Enterprises does not assume liability arising out of the use of any part or document.

PE7007A CAD Drawing

75 Ohm BNC Male to 50 Ohm BNC Female Matching Pad Operating from DC to 3 GHz



REVISION		DATE	CHANGED BY	APPROVED
ZONE	REV	DESCRIPTION	INITIAL RELEASE	
	A			SPONG

PE PASTERNAK
an INFINIT® brand

Website: www.Pasternack.com
Phone: 1.866.727.8376 | 1.949.261.1920

INTERPRET ALL DIMENSIONS AND TOLERANCES PER ASME Y14.5
SCALE NONE SHEET 1 OF 1

DESCRIPTION: 75 ohm BNC MALE TO 50 ohm BNC FEMALE MATCHING PAD 3 GHz VSWR1.25

SIZE	A	CAGE CODE	53919	DRAWN BY	KDANG	ITEM NO.	PE7007A
REV	A						

UNLESS OTHERWISE SPECIFIED, LEADING DIMENSIONS ARE IN INCHES AND DIMENSIONS IN [] ARE MILLIMETERS.

TOLERANCES:
 .X = ±.2 [5] FRACTIONS ± 1/32
 .XX = ±.02 [0.5] ANGLES ± 1°
 .XXX = ±.005 [0.13]

CABLE LENGTH TOLERANCES:
 <12 [305] ≤ 60 [1524] = ±.1 [2.5] / -0
 >60 [1524] ≤ 120 [3048] = ±.4 [102] / -0
 >120 [3048] ≤ 300 [7620] = ±.8 [20] / -0

ALL DIMENSIONS ARE FOR REFERENCE ONLY. UNDIMENSIONED/NON-CRITICAL FEATURES MAY VARY IN SIZE AND LOCATION. COLORS MAY VARY.

THE INFORMATION CONTAINED IN THIS DRAWING IS THE SOLE PROPERTY OF INFINITE ELECTRONICS, INC. ANY REPRODUCTION IN PART OR WHOLE WITHOUT THE WRITTEN PERMISSION OF INFINITE ELECTRONICS, INC. IS PROHIBITED. THESE COMMODITIES, TECHNOLOGY OR SERVICES ARE EXPORTED FROM THE UNITED STATES IN ACCORDANCE WITH THE EXPORT ADMINISTRATION REGULATIONS. DIVERSION CONTRARY TO U.S. LAW PROHIBITED.

PE DS Rev-D4 Add2