



2 Watt RF Load Up to 6 GHz With 7/16 DIN Male Input IP67 Rated Tri-Metal Plated Brass

RF Terminations Technical Data Sheet

PE6196

Features

- DC to 6 GHz Frequency Range
- VSWR 1.2:1 Max
- Max Power 2 Watt (CW)
- 7/16 DIN Male Coaxial Interface
- IP67 Rated

Applications

- Wireless
- Radar Systems
- Test and Measurement
- Commercial and Military Communication
- SatCom

Description

Pasternack's PE6196 is an RF termination (also called RF load or dummy load) that operates from DC to 6 GHz and handles up to 2 Watt (CW). Our 7/16 DIN termination / load has a male gender. PE6196 7/16 DIN load termination offers 1.2:1 max VSWR.

RF load / terminations are indispensable components in many RF, microwave and millimeter wave systems where signal reflection from unused ports can potentially damage the device or reduce the signal integrity. By using a terminator on an unused port with a matched load (dummy load), the incident energy will be absorbed with minimal reflection. These termination components are commonly used to terminate devices such as couplers, circulators, and switches. They are also widely used in measurement systems to ensure accurate results. Pasternack offers a huge selection of RF, microwave and millimeter wave terminations up to 65 GHz with excellent performance over the entire operating range and power handling capabilities up to 800 Watt (CW).

Electrical Specifications

Description	Minimum	Typical	Maximum	Units
Frequency Range	DC		6	GHz
Impedance		50		Ohms
VSWR			1.2:1	
Input Power (CW)			2	Watts

Performance by Frequency

Description	F1	F2	F3	F4	F5	Units
Frequency Range	DC to 4	4 to 6				GHz
VSWR, Max	1.1:1	1.2:1				

Click the following link (or enter part number in "SEARCH" on website) to obtain additional part information including price, inventory and certifications: [2 Watt RF Load Up to 6 GHz With 7/16 DIN Male Input IP67 Rated Tri-Metal Plated Brass PE6196](#)



2 Watt RF Load Up to 6 GHz With 7/16 DIN
Male Input IP67 Rated Tri-Metal Plated Brass

RF Terminations Technical Data Sheet

PE6196

Mechanical Specifications

Size

Length	1.45 in [36.83 mm]
Width	1.26 in [32 mm]
Weight	0.198 lbs [89.81 g]

Configuration

Connector	7/16 DIN Male
Hex Size	32 mm

Material Specifications

Description	Material	Plating
Connector 1 Contact	Brass	Silver
Body	Brass	Tri-Metal
Coupling Nut	Brass	Tri-Metal
Housing	Brass	Tri-Metal

Environmental Specifications

Temperature

Operating Range	-45 to +120 deg C
Ingress Protection (IP) Rating	IP67 (mated condition)

Compliance Certifications (visit www.Pasternack.com for current document)

RoHS Compliant	
REACH Compliant	12/17/2015

Plotted and Other Data

Notes:

Click the following link (or enter part number in "SEARCH" on website) to obtain additional part information including price, inventory and certifications: [2 Watt RF Load Up to 6 GHz With 7/16 DIN Male Input IP67 Rated Tri-Metal Plated Brass PE6196](#)



2 Watt RF Load Up to 6 GHz With 7/16 DIN Male Input IP67 Rated Tri-Metal Plated Brass

RF Terminations Technical Data Sheet

PE6196

2 Watt RF Load Up to 6 GHz With 7/16 DIN Male Input IP67 Rated Tri-Metal Plated Brass from Pasternack Enterprises has same day shipment for domestic and International orders. Our RF, microwave and millimeter wave products maintain a 99% availability and are part of the broadest selection in the industry.

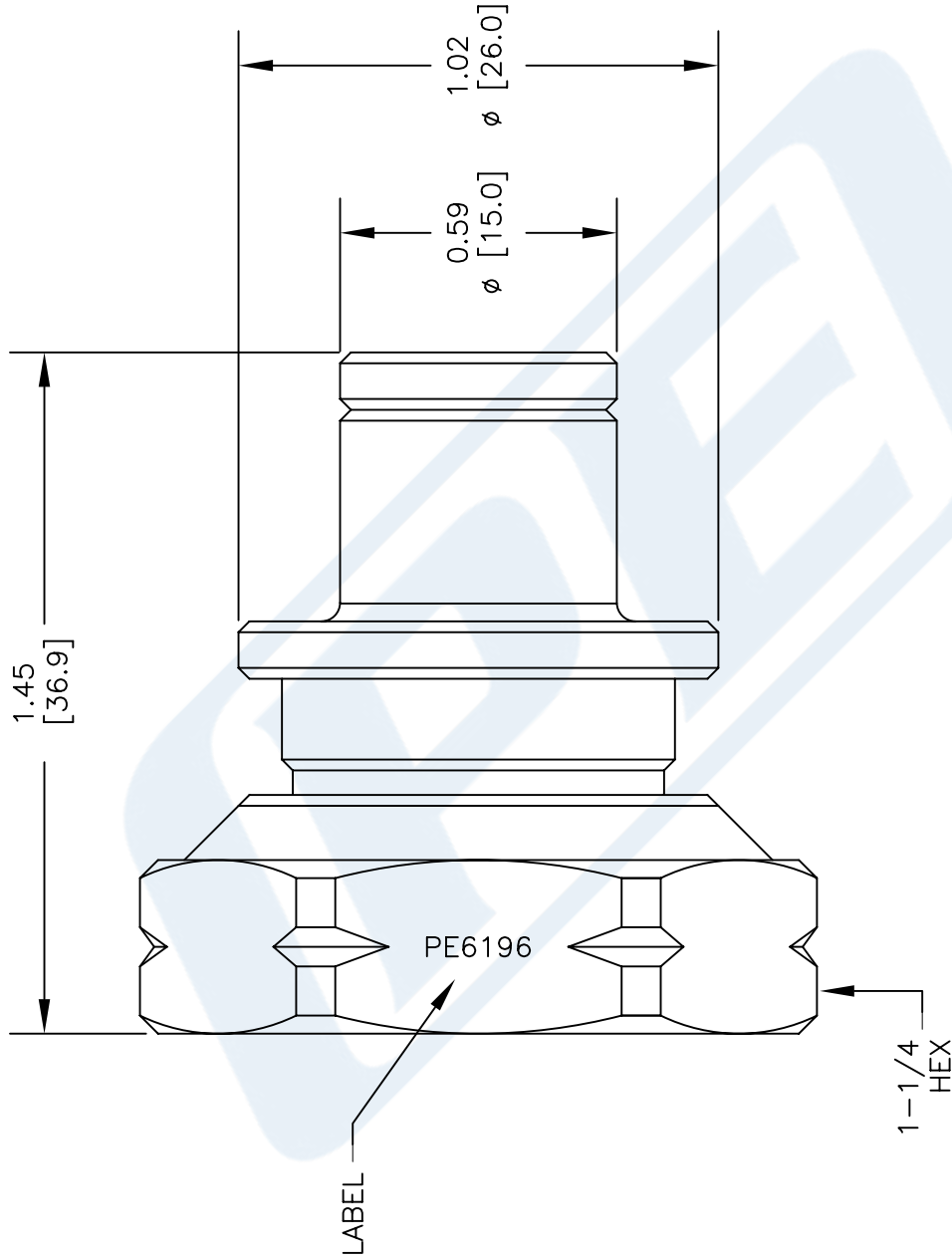
Click the following link (or enter part number in "SEARCH" on website) to obtain additional part information including price, inventory and certifications: [2 Watt RF Load Up to 6 GHz With 7/16 DIN Male Input IP67 Rated Tri-Metal Plated Brass PE6196](http://www.pasternack.com/2-watts-7-16-male-rf-load-up-to-6-ghz-pe6196-p.aspx)

URL: <http://www.pasternack.com/2-watts-7-16-male-rf-load-up-to-6-ghz-pe6196-p.aspx>

The information contained in this document is accurate to the best of our knowledge and representative of the part described herein. It may be necessary to make modifications to the part and/or the documentation of the part, in order to implement improvements. Pasternack reserves the right to make such changes as required. Unless otherwise stated, all specifications are nominal. Pasternack does not make any representation or warranty regarding the suitability of the part described herein for any particular purpose, and Pasternack does not assume any liability arising out of the use of any part or documentation.

PE6196 CAD Drawing

2 Watt RF Load Up to 6 GHz With 7/16 DIN Male Input IP67 Rated Tri-Metal Plated Brass



STANDARD TOLERANCES	
DECIMAL	±0.20
.XX	±0.10
.XXX	

*STANDARD TOLERANCES APPLY ONLY TO DIMENSIONS IN INCHES

NOTES:
 1. UNLESS OTHERWISE SPECIFIED ALL DIMENSIONS ARE NOMINAL.
 2. ALL SPECIFICATIONS ARE SUBJECT TO CHANGE WITHOUT NOTICE AT ANY TIME.
 3. DIMENSIONS ARE IN INCHES [mm].

DWG TITLE
PE6196

FSCM NO. **53919**

CAD FILE 052616 SCALE N/A SIZE A 3045

PE PASTERNAK®
 THE ENGINEER'S RF SOURCE

Pasternack Enterprises, Inc.
 P.O. Box 16759 | Irvine | CA | 92623

Phone: (949) 261-1920 | Fax: (949) 261-7451
 Website: www.pasternack.com | E-Mail: sales@pasternack.com