



50 Watt RF Load Up to 4 GHz With N Male Input Square Body Black Anodized Aluminum Heatsink

RF Terminations Technical Data Sheet

PE6188

Features

- DC to 4 GHz Frequency Range
- VSWR 1.2:1 Max
- Max Power 50 Watt (CW)
- N Male Coaxial Interface

Applications

- Wireless
- Radar Systems
- Commercial and Military Communication
- SatCom
- Test and Measurement

Description

Pasternack's PE6188 is an RF termination (also called RF load or dummy load) that operates from DC to 4 GHz and handles up to 50 Watt (CW). Our N termination / load has a male gender. PE6188 N load termination offers 1.2:1 max VSWR. This Pasternack 50W N terminator has a heatsink body which is designed to provide adequate heat dissipation within its full frequency of operation.

RF load / terminations are indispensable components in many RF, microwave and millimeter wave systems where signal reflection from unused ports can potentially damage the device or reduce the signal integrity. By using a terminator on an unused port with a matched load (dummy load), the incident energy will be absorbed with minimal reflection. These termination components are commonly used to terminate devices such as couplers, circulators, and switches. They are also widely used in measurement systems to ensure accurate results. Pasternack offers a huge selection of RF, microwave and millimeter wave terminations up to 65 GHz with excellent performance over the entire operating range and power handling capabilities up to 800 Watt (CW).

Electrical Specifications

Description	Minimum	Typical	Maximum	Units
Frequency Range	DC		4	GHz
Impedance		50		Ohms
VSWR			1.2:1	
Passive Intermodulation	-100			dBc
Input Power (CW) derated linearly to 5W at +125°C			50	Watts
Input Power (Peak) 5µs pulse, 0.5% duty cycle			10	kWatts

Electrical Specification Notes:

Passive intermodulation measured with two 20W signals at 935 MHz and 960 MHz.

Click the following link (or enter part number in "SEARCH" on website) to obtain additional part information including price, inventory and certifications: [50 Watt RF Load Up to 4 GHz With N Male Input Square Body Black Anodized Aluminum Heatsink PE6188](#)



50 Watt RF Load Up to 4 GHz With N Male Input
Square Body Black Anodized Aluminum Heatsink

RF Terminations Technical Data Sheet

PE6188

Mechanical Specifications

Size

Length	4.33 in [109.98 mm]
Width	2.36 in [59.94 mm]
Height	2.36 in [59.94 mm]
Weight	1.4635 lbs [663.83 g]

Configuration

Connector	N Male
-----------	--------

Material Specifications

Description	Material	Plating
Connector 1 Contact	Brass	Gold
Body	Brass	Nickel
Coupling Nut	Brass	Nickel
Housing	Black Anodized Aluminum Heatsink	

Environmental Specifications

Temperature

Operating Range	-55 to +125 deg C
-----------------	-------------------

Compliance Certifications (see [product page](#) for current document)

Plotted and Other Data

Notes:

Click the following link (or enter part number in "SEARCH" on website) to obtain additional part information including price, inventory and certifications: [50 Watt RF Load Up to 4 GHz With N Male Input Square Body Black Anodized Aluminum Heatsink PE6188](#)

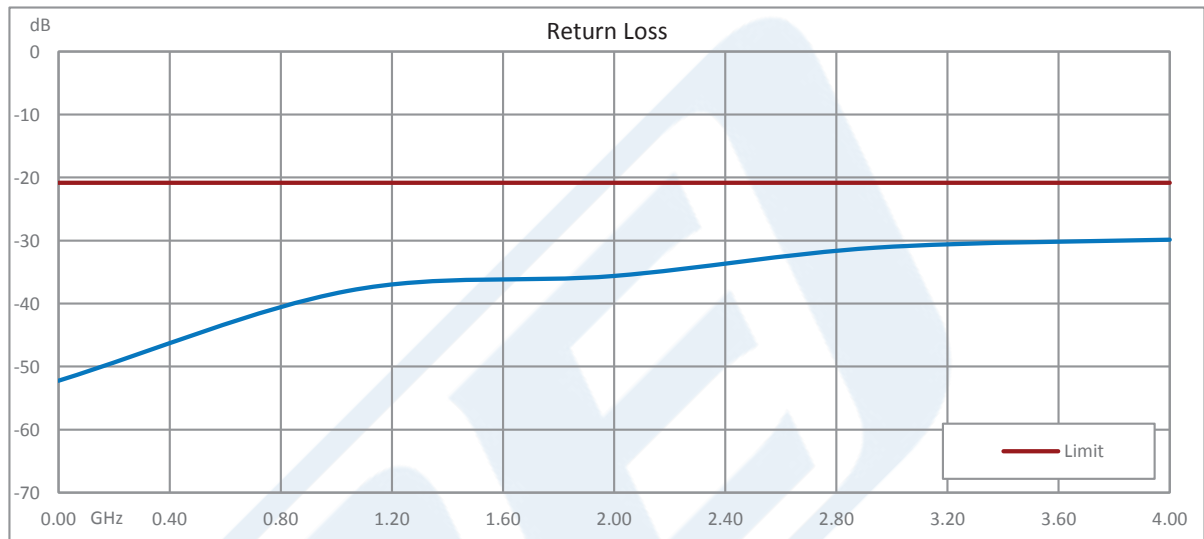


50 Watt RF Load Up to 4 GHz With N Male Input Square Body Black Anodized Aluminum Heatsink

RF Terminations Technical Data Sheet

PE6188

Typical Performance Data



50 Watt RF Load Up to 4 GHz With N Male Input Square Body Black Anodized Aluminum Heatsink from Pasternack Enterprises has same day shipment for domestic and International orders. Our RF, microwave and millimeter wave products maintain a 99.4% availability and are part of the broadest selection in the industry.

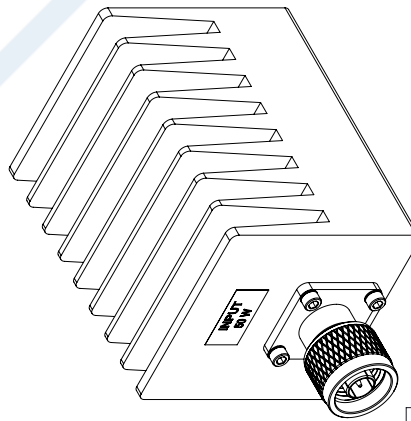
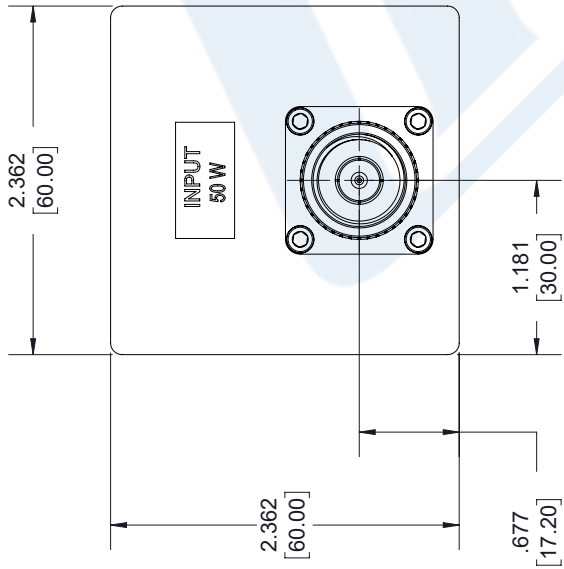
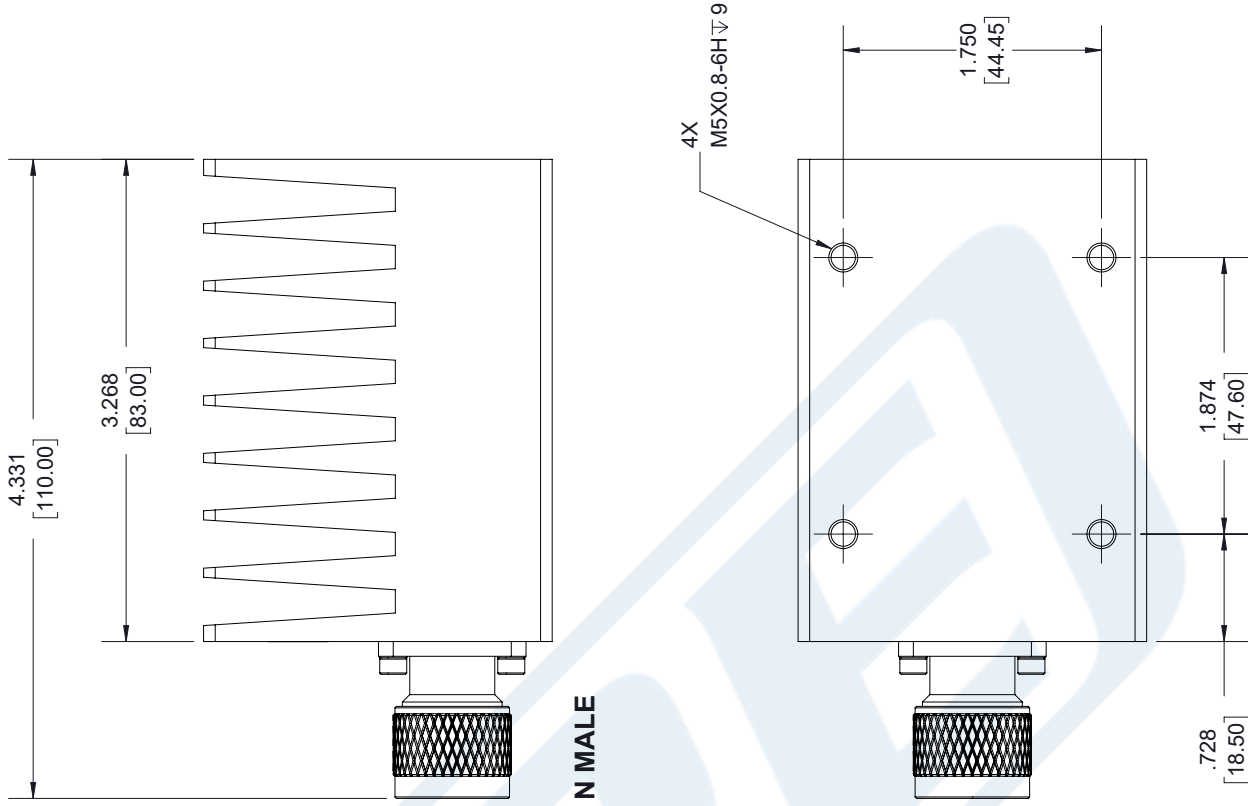
Click the following link (or enter part number in "SEARCH" on website) to obtain additional part information including price, inventory and certifications: [50 Watt RF Load Up to 4 GHz With N Male Input Square Body Black Anodized Aluminum Heatsink PE6188](https://www.pasternack.com/50-watts-n-male-rf-load-up-to-4-ghz-pe6188-p.aspx)

URL: <https://www.pasternack.com/50-watts-n-male-rf-load-up-to-4-ghz-pe6188-p.aspx>

The information contained in this document is accurate to the best of our knowledge and representative of the part described herein. It may be necessary to make modifications to the part and/or the documentation of the part, in order to implement improvements. Pasternack reserves the right to make such changes as required. Unless otherwise stated, all specifications are nominal. Pasternack does not make any representation or warranty regarding the suitability of the part described herein for any particular purpose, and Pasternack does not assume any liability arising out of the use of any part or documentation.

PE6188 CAD Drawing

50 Watt RF Load Up to 4 GHz With N Male Input Square
Body Black Anodized Aluminum Heatsink



STANDARD TOLERANCES	
.X	±0.2
.XX	±0.01
.XXX	±0.005

*STANDARD TOLERANCES APPLY ONLY TO DIMENSIONS IN INCHES



Pasternack Enterprises, Inc.
P.O. Box 16759 | Irvine | CA | 92623
Phone: (949) 261-1920 | Fax: (949) 261-7451
Website: www.pasternack.com | E-Mail: sales@pasternack.com

DWG TITLE

PE6188

NOTES:
1. UNLESS OTHERWISE SPECIFIED ALL DIMENSIONS ARE NOMINAL.
2. ALL SPECIFICATIONS ARE SUBJECT TO CHANGE WITHOUT NOTICE AT ANY TIME.
3. DIMENSIONS ARE IN INCHES [mm].

CAGE CODE 53919

CAD FILE 08/07/18

SCALE N/A

SIZE A

7361