



## BNC Male Shorting Dust Cap

### Shorts and Caps Technical Data Sheet

PE6012

#### Features

- Protects against dust and contaminants
- Protects against physical damage
- Nickel Plated Body
- Internally Shorted

#### Applications

- General Purpose Laboratory Use
- Test and Measurement
- ESD Protection

#### Description

Pasternack's PE6012 connector dust cap has a BNC interface and a male gender. Our BNC male dust cap is a shorting design with a nickel plated body to ensure durability. The Pasternack shorting BNC connector cap is part of over 40,000 RF, microwave and millimeter wave products that ship the same day.

RF connector dust caps are essential for precision connectors, protecting them from dust, corrosion and potential damage especially to test and measurement equipment. Specific RF connector cap models come with a chain to prevent loss or misplacement. Internal short connector cap versions are available to protect equipment from a spike in current caused by electrostatic discharge (ESD).

#### Mechanical Specifications

##### Configuration

Connector

BNC Male Shorting

Description	Material	Plating
Contact	Brass	Gold 30µ" min.
Body	Brass	Nickel 100µ" min.
Gasket	Silicone	

##### Size

Length	0.61 in [15.49 mm]
Width	0.57 in [14.48 mm]
Weight	0.02 lbs [9.07 g]

#### Environmental Specifications

##### Temperature

Operating Range -65 to +165 deg C

#### Compliance Certifications (visit [www.Pasternack.com](http://www.Pasternack.com) for current document)

RoHS Compliant	
REACH Compliant	12/17/2015

Click the following link (or enter part number in "SEARCH" on website) to obtain additional part information including price, inventory and certifications: [BNC Male Shorting Dust Cap PE6012](#)



## BNC Male Shorting Dust Cap

### Shorts and Caps Technical Data Sheet

PE6012

#### Plotted and Other Data

Notes:

BNC Male Shorting Dust Cap from Pasternack Enterprises has same day shipment for domestic and International orders. Our RF, microwave and millimeter wave products maintain a 99% availability and are part of the broadest selection in the industry.

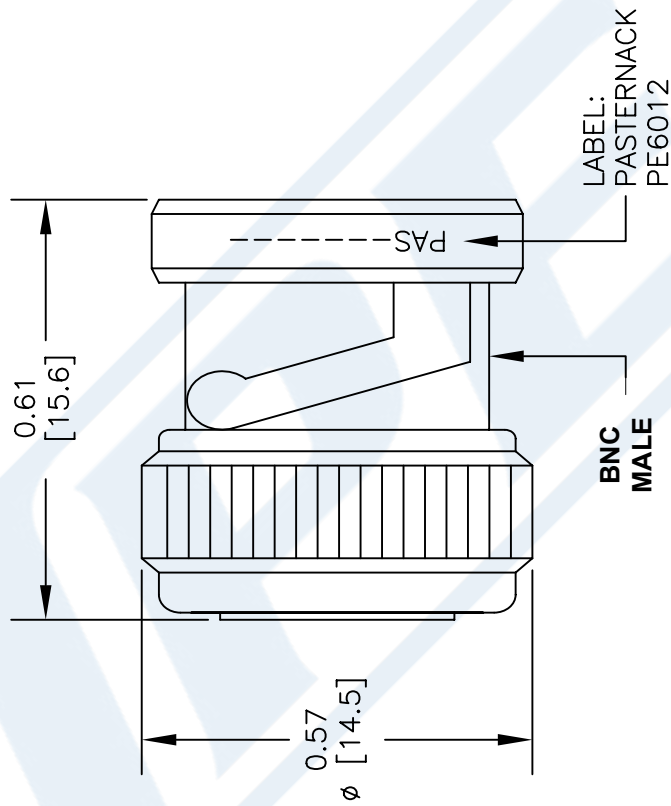
Click the following link (or enter part number in "SEARCH" on website) to obtain additional part information including price, inventory and certifications: [BNC Male Shorting Dust Cap PE6012](#)

URL: <https://www.pasternack.com/50-ohm-bnc-male-short-cap-pe6012-p.aspx>

The information contained in this document is accurate to the best of our knowledge and representative of the part described herein. It may be necessary to make modifications to the part and/or the documentation of the part, in order to implement improvements. Pasternack reserves the right to make such changes as required. Unless otherwise stated, all specifications are nominal. Pasternack does not make any representation or warranty regarding the suitability of the part described herein for any particular purpose, and Pasternack does not assume any liability arising out of the use of any part or documentation.

# PE6012 CAD Drawing

## BNC Male Shorting Dust Cap



### STANDARD TOLERANCES

.X ±0.2  
 .XX ±0.1  
 .XXX ±0.05

\*STANDARD TOLERANCES APPLY ONLY TO DIMENSIONS IN INCHES



Pasternack Enterprises, Inc.  
 P.O. Box 16759 | Irvine | CA | 92623  
 Phone: (949) 261-1920 | Fax: (949) 261-7451  
 Website: [www.pasternack.com](http://www.pasternack.com) | E-Mail: [sales@pasternack.com](mailto:sales@pasternack.com)

DWG TITLE

**PE6012**

FSCM NO. 53919

NOTES:  
 1. UNLESS OTHERWISE SPECIFIED ALL DIMENSIONS ARE NOMINAL.  
 2. ALL SPECIFICATIONS ARE SUBJECT TO CHANGE WITHOUT NOTICE AT ANY TIME.  
 3. DIMENSIONS ARE IN INCHES [mm].

CAD FILE 052716

SCALE N/A

SIZE A

3045