



## 900 MHz 6 dBi Yagi Antenna

### Antennas Technical Data Sheet

PE51YA1008

#### Features

- 6 dBi gain & all weather Anodized Aluminum construction
- Can be installed for either vertical or horizontal polarization
- Solid Aluminum 1/8" elements
- Heavy-duty 1/2" Aluminum boom
- 15 inch coax lead & 1/8" thick plated steel mounting plate

#### Applications

- 900MHz ISM Band & Wireless LAN systems
- Point to multipoint & Non Line of Sight (NLOS) applications
- 900MHz Cellular and GSM
- RFID & SCADA
- LPWAN, LoRA, IoT, M2M

#### Description

The HyperGain YE Series are economical high-performance Yagi antennas that combines accurate gain with a wide beam-width and are ideally suited for directional applications in the 900 MHz ISM and GSM bands. This series of Yagi antennas provides the user with anodized aluminum boom, solid elements, low loss series 400 COAX, and rugged mounting hardware.

#### Configuration

Design	Yagi
Band Type	Wide
Radiation Pattern	Directional
Polarization	Vertical or Horizontal
Cable Type	400 series
Cable Length	15 in [381 mm]
Connector Type	N Female
Number of Ports	1

#### Electrical Specifications

Description	Minimum	Typical	Maximum	Units
Input VSWR			1.5:1	
Impedance		50		Ohms
Gain		6		dBi
Front to Back Ratio		14		dB
Input Power			100	Watts

#### Specifications by Band

Description	Band 1	Band 2	Band 3	Band 4	Band 5	Units
Range	824-960					MHz
Gain	6					dBi
Horizontal Beam Width	100					Degees
Vertical Beam Width	60					Degees
Maximum Input Power	100					Watts

Click the following link (or enter part number in "SEARCH" on website) to obtain additional part information including price, inventory and certifications: [900 MHz 6 dBi Yagi Antenna PE51YA1008](#)



900 MHz 6 dBi Yagi Antenna

Antennas Technical Data Sheet

PE51YA1008

**Mechanical Specifications**

Radome Material	ABS
<b>Size</b>	
Overall Length	14.2 in [360.68 mm]
Mounting Mast Diameter	2 in [50.80 mm]
Weight	0.6 lbs [272.16 g]

**Environmental Specifications**

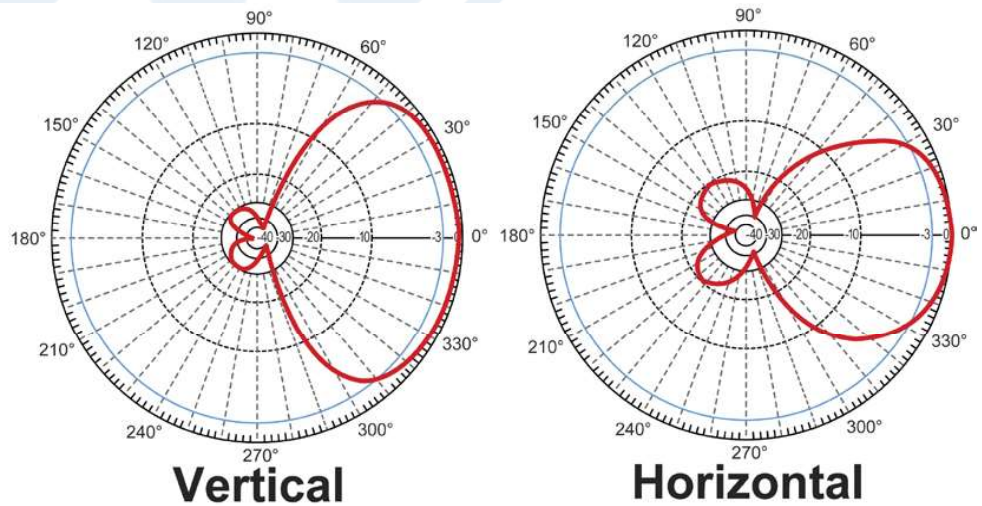
<b>Temperature</b>	
Operating Range	-40 to +85 deg C
Wind Loading	135 MPH [217.26 KPH]

**Compliance Certifications** (see [product page](#) for current document)

**Plotted and Other Data**

Notes:

RF Antenna Gain Patterns



Click the following link (or enter part number in "SEARCH" on website) to obtain additional part information including price, inventory and certifications: [900 MHz 6 dBi Yagi Antenna PE51YA1008](#)



## 900 MHz 6 dBi Yagi Antenna

### Antennas Technical Data Sheet

PE51YA1008

900 MHz 6 dBi Yagi Antenna from Pasternack Enterprises has same day shipment for domestic and International orders. Our RF, microwave and millimeter wave products maintain a 99.4% availability and are part of the broadest selection in the industry.

Click the following link (or enter part number in "SEARCH" on website) to obtain additional part information including price, inventory and certifications: [900 MHz 6 dBi Yagi Antenna PE51YA1008](https://www.pasternack.com/wide-antenna-6-dbi-gain-n-pe51ya1008-p.aspx)

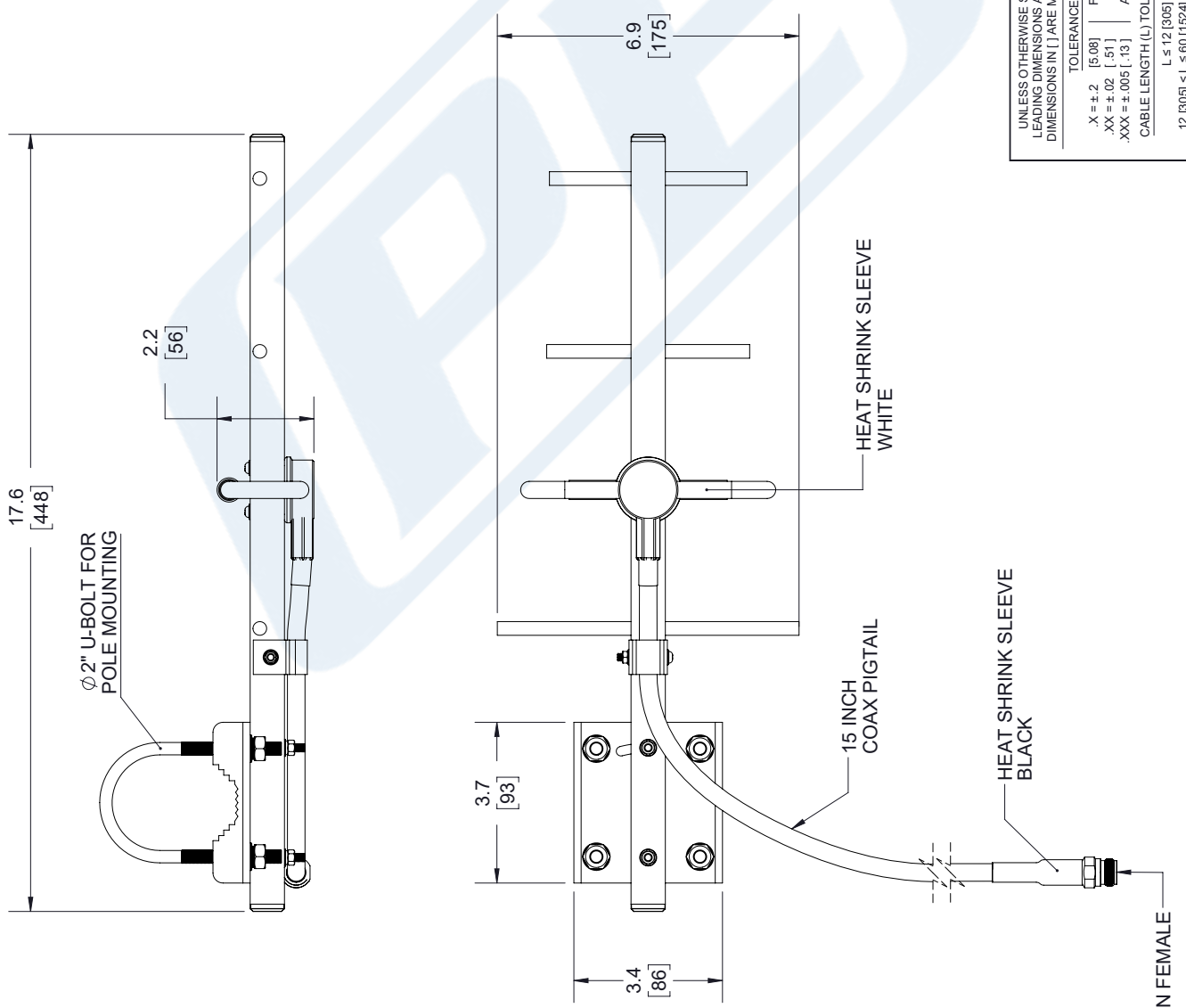
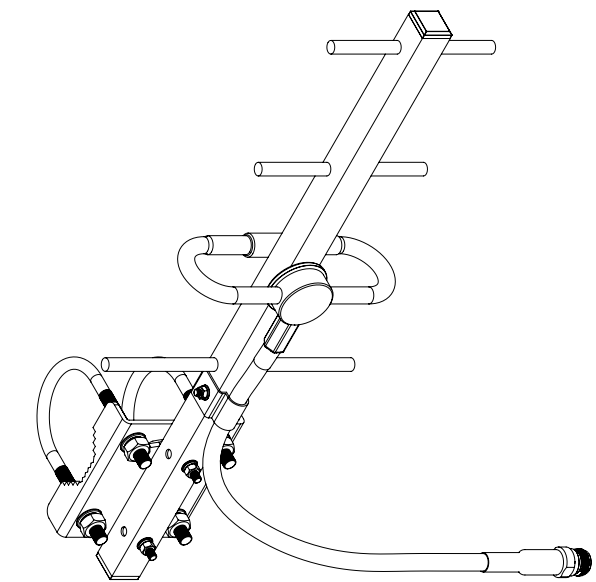
URL: <https://www.pasternack.com/wide-antenna-6-dbi-gain-n-pe51ya1008-p.aspx>

The information contained in this document is accurate to the best of our knowledge and representative of the part described herein. It may be necessary to make modifications to the part and/or the documentation of the part, in order to implement improvements. Pasternack reserves the right to make such changes as required. Unless otherwise stated, all specifications are nominal. Pasternack does not make any representation or warranty regarding the suitability of the part described herein for any particular purpose, and Pasternack does not assume any liability arising out of the use of any part or documentation.

# PE51YA1008 CAD Drawing

900 MHz 6 dBi Yagi Antenna

REV.	DESCRIPTION	DATE	APPROVED
A	INITIAL RELEASE	2/21/2020	M.MILLER



UNLESS OTHERWISE SPECIFIED LEADING DIMENSIONS ARE INCHES DIMENSIONS IN [ ] ARE MILLIMETERS

TOLERANCES:  
 .X = ±.2 [5.08] FRACTIONS ± 1/32  
 .XX = ±.02 [.51] ANGLES ± 1°  
 .XXX = ±.005 [.13]  
 CABLE LENGTH (L) TOLERANCES:  
 L ≤ 12 [305] = +1 [25] / -0  
 12 [305] < L ≤ 60 [1524] = +2 [51] / -0  
 60 [1524] < L ≤ 120 [3048] = +4 [102] / -0  
 120 [3048] < L ≤ 300 [7620] = +6 [152] / -0  
 > 300 [7620] < L = +5% / L / -0

ALL DIMENSIONS SHOWN ARE FOR REFERENCE ONLY.

**PE PASTERNAK**  
 an INFINIT brand

Pasternack Enterprises, Inc.  
 P. O. Box 16759, Irvine, CA 92623.  
 Phone: 1.949.261.1920 | 1.866.727.8376  
 Fax: 1.949.261.7451  
 Website: www.pasternack.com  
 E-mail: sales@pasternack.com

THIRD-ANGLE PROJECTION

THE INFORMATION AND DESIGN IN THIS DOCUMENT IS THE PROPERTY OF PASTERNAK CORPORATION. ALL RIGHTS RESERVED.

SHEET 1 OF 1  
 SCALE N/A

SIZE	CAGE CODE	DRAWN BY	ITEM NO
A	53919	K.DANG	PE51YA1008

REV A

THESE COMMODITIES, TECHNOLOGY OR SOFTWARE WERE EXPORTED FROM THE UNITED STATES IN ACCORDANCE WITH THE EXPORT ADMINISTRATION REGULATIONS. DIVERSION CONTRARY TO U.S. LAW PROHIBITED.