

2.4 GHz 12 dBi Stainless Steel Yagi Antenna

Antennas Technical Data Sheet

PE51YA1004

Features

- Stainless steel construction
- 40° beam-width
- DC Short lightning protection
- Includes tilt and swivel mast mount
- 7 inch coax lead terminated with a N-Female connector

Applications

- 2.4 GHz ISM Band
- IEEE 802.11b, 802.11g Wireless LAN
- IEEE 802.11n (Pre-N, Draft-N, MIMO) Applications
- Bluetooth® & Public Wireless Hotspot
- WiFi & Wireless Video Systems

Description

The HyperGain PE51YA1004 WiFi Yagi Antenna features high gain and a 40° beam-width with a 7 inch coax lead terminated with a N-Female connector. It is ideally suited for directional and multipoint IEEE 802.11b, 802.11g and 802.11n wireless LANs, Bluetooth®, public wireless hotspot applications and other systems operating in the 2.4GHz ISM band.

This antenna features a heavy-duty 1/2" stainless steel boom and solid 1/8" stainless steel elements which ensures superior durability and long performance life in all weather conditions. The PE51YA1004 antenna is supplied with a tilt and swivel mast mount kit. This mounts provides 0-20 degree up or down tilt in 10 degree increments.

Configuration

Design	Yagi
Band Type	Single
Radiation Pattern	Directional
Polarization	Vertical
Cable Type	Coax Cable
Cable Length	7 in [177.8 mm]
Connector Type	N Female
Number of Ports	1
Lightning Protection	DC Short

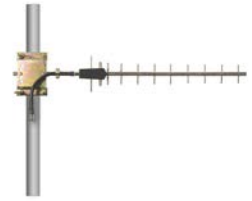
Electrical Specifications

Description	Minimum	Typical	Maximum	Units
Input VSWR			1.5:1	
Impedance		50		Ohms
Gain		12		dBi
Front to Back Ratio		18		dB
Input Power			100	Watts

Specifications by Band

Description	Band 1	Band 2	Band 3	Band 4	Band 5	Units
Range	2,400-2,483					MHz
Gain	12					dBi
Horizontal Beam Width	40					Degees

Click the following link (or enter part number in "SEARCH" on website) to obtain additional part information including price, inventory and certifications: [2.4 GHz 12 dBi Stainless Steel Yagi Antenna PE51YA1004](#)



2.4 GHz 12 dBi Stainless Steel Yagi Antenna

Antennas Technical Data Sheet

PE51YA1004

Vertical Beam Width	40	Degees
Maximum Input Power	100	Watts

Mechanical Specifications

Radome Material	ABS
Size	
Overall Length	22.8 in [579.12 mm]
Mounting Mast Diameter	1.5 to 2.3 in [38.10 to 58.42 mm]
Weight	2.4 lbs [1.09 kg]

Environmental Specifications

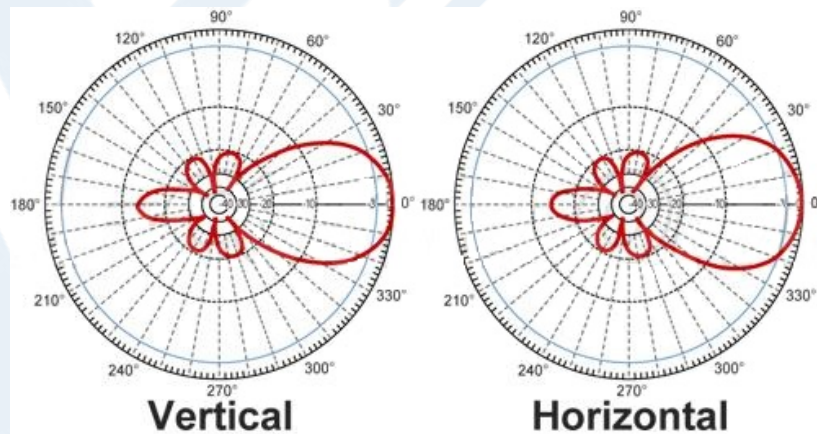
Temperature	
Operating Range	-40 to +85 deg C
Wind Loading	124 MPH [199.56 KPH]

Compliance Certifications (see [product page](#) for current document)

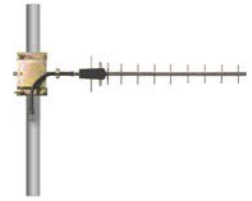
Plotted and Other Data

Notes:

Antenna Gain Patterns



Click the following link (or enter part number in "SEARCH" on website) to obtain additional part information including price, inventory and certifications: [2.4 GHz 12 dBi Stainless Steel Yagi Antenna PE51YA1004](#)



2.4 GHz 12 dBi Stainless Steel Yagi Antenna

Antennas Technical Data Sheet

PE51YA1004

2.4 GHz 12 dBi Stainless Steel Yagi Antenna from Pasternack Enterprises has same day shipment for domestic and International orders. Our RF, microwave and millimeter wave products maintain a 99.4% availability and are part of the broadest selection in the industry.

Click the following link (or enter part number in "SEARCH" on website) to obtain additional part information including price, inventory and certifications: [2.4 GHz 12 dBi Stainless Steel Yagi Antenna PE51YA1004](https://www.pasternack.com/single-antenna-12-dbi-gain-n-pe51ya1004-p.aspx)

URL: <https://www.pasternack.com/single-antenna-12-dbi-gain-n-pe51ya1004-p.aspx>

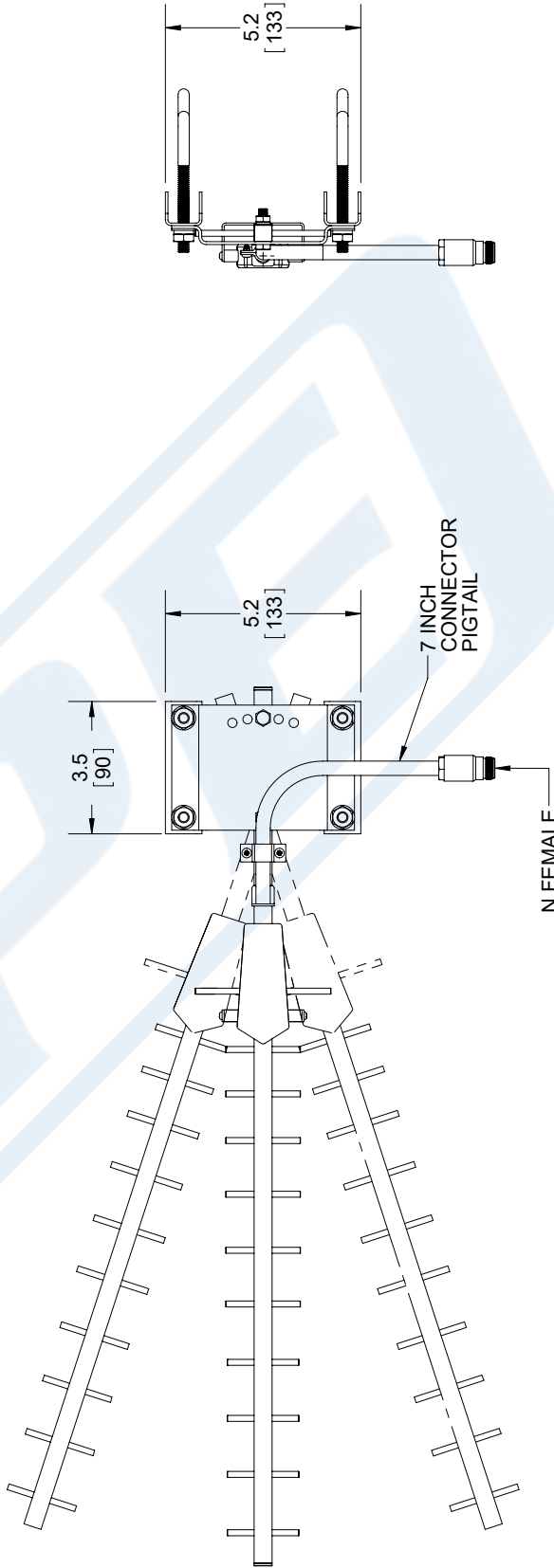
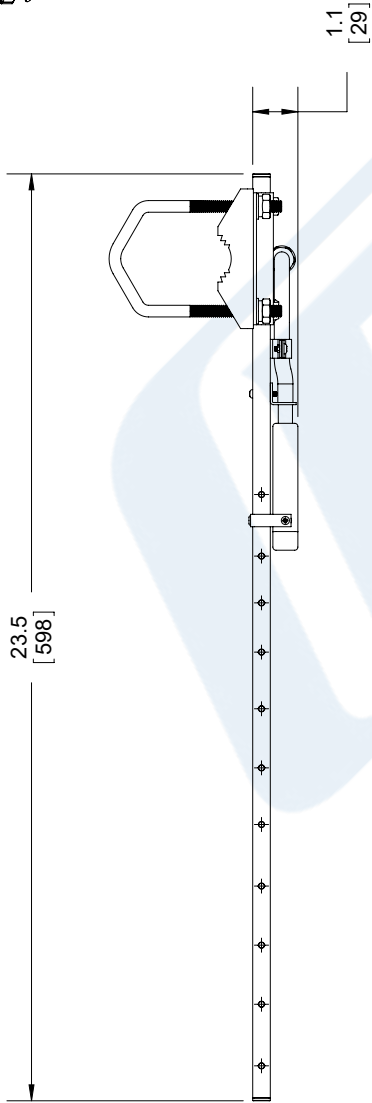
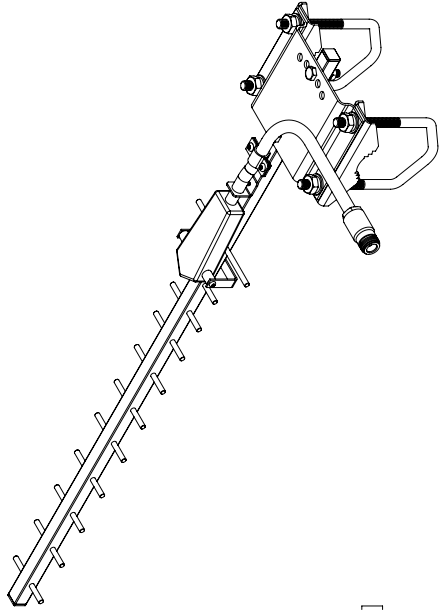
The information contained in this document is accurate to the best of our knowledge and representative of the part described herein. It may be necessary to make modifications to the part and/or the documentation of the part, in order to implement improvements. Pasternack reserves the right to make such changes as required. Unless otherwise stated, all specifications are nominal. Pasternack does not make any representation or warranty regarding the suitability of the part described herein for any particular purpose, and Pasternack does not assume any liability arising out of the use of any part or documentation.

PE51YA1004 CAD Drawing

2.4 GHz 12 dBi Stainless Steel Yagi Antenna

REVISIONS

REV.	DESCRIPTION	DATE	APPROVED
A	INITIAL RELEASE	2/20/2020	M.MILLER



UNLESS OTHERWISE SPECIFIED
LEADING DIMENSIONS ARE INCHES
DIMENSIONS IN [] ARE MILLIMETERS

TOLERANCES:

.X = ±.2	[5.08]	FRACTIONS	± 1/32
.XX = ±.02	[.51]	ANGLES ± 1°	
.XXX = ±.005	[.13]	CABLE LENGTH (L) TOLERANCES:	
L ≤ 12 [305] = +1 [25] / -0			
12 [305] < L ≤ 60 [1524] = +2 [51] / -0			
60 [1524] < L ≤ 120 [3048] = +4 [102] / -0			
120 [3048] < L ≤ 300 [7620] = +6 [152] / -0			
300 [7620] < L = +5% / -0			

ALL DIMENSIONS SHOWN
ARE FOR REFERENCE ONLY.

PE PASTERNAK
an INFINITO brand

Pasternack Enterprises, Inc.
P. O. Box 16759, Irvine, CA 92623.
Phone: 1.949.261.1920 | 1.866.727.8376
Fax: 1.949.261.7451
Website: www.pasternack.com
E-mail: sales@pasternack.com

SIZE: A CAGE CODE: A53919 DRAWN BY: K.DANG ITEM NO: PE51YA1004 REV: A

THIRD-ANGLE PROJECTION

THE INFORMATION AND DESIGN IN THIS DOCUMENT IS THE PROPERTY OF PASTERNAK CORPORATION. ALL RIGHTS RESERVED.

SHEET 1 OF 1
SCALE N/A

REGULATORY COMPLIANCE:
EU ROHS DIRECTIVE (MOST RECENT RELEASED VERSION)

THESE COMMODITIES, TECHNOLOGY OR SOFTWARE WERE EXPORTED FROM THE UNITED STATES IN ACCORDANCE WITH THE EXPORT ADMINISTRATION REGULATIONS. DIVERSION CONTRARY TO U.S. LAW PROHIBITED.