



2.4/ 5.8 GHz 9 dBi Dual Band Omni Antenna

Antennas Technical Data Sheet

PE51OM1005

Features

- Heavy duty industrial grade design
- Fiberglass radome
- All weather operation
- Twin heavy duty steel mounting brackets and u-bolts
- Integral N-Female connector

Applications

- 2.4/5.8 GHz IEEE 802.11a/b/g and 802.11ac applications
- 2.4GHz Wi-Fi applications
- 5.8 GHz UNII and ISM applications
- Wireless video systems
- Point-to-multipoint applications

Description

The HyperLink PE51OM1005 is a professional high gain dual band omnidirectional base station Wi-Fi antenna designed and optimized for the 2.4 and 5.8GHz frequency. This antenna is ideally suited for multipoint applications where long range and wide coverage is desired.

The PE51OM1005 construction features a heavy-duty fiberglass radome for durability and aesthetics. Designed to operate in the harshest of environments, the HG2458-09U-PRO far exceeds other omnidirectional antennas. The included mounting system features twin heavy-duty mounting brackets and u-bolts for superior strength.

Configuration

Design	Omni
Band Type	Dual
Radiation Pattern	Omni Directional
Polarization	Vertical
Connector Type	N Female
Number of Ports	1
Lightning Protection	DC Short

Electrical Specifications

Description	Minimum	Typical	Maximum	Units
Frequency Range	2,400		5,850	MHz
Input VSWR			1.6:1	
Impedance		50		Ohms
Gain		9		dBi
Isolation	28			dB
Downtilt			0	Degrees
Input Power			100	Watts

Specifications by Band

Description	Band 1	Band 2	Band 3	Band 4	Band 5	Units
Range	2.4 to 2.5	5.725 to 5.85				GHz
Gain	9	9				dBi
Horizontal Beam Width	360	360				Degrees

Click the following link (or enter part number in "SEARCH" on website) to obtain additional part information including price, inventory and certifications: [2.4/ 5.8 GHz 9 dBi Dual Band Omni Antenna PE51OM1005](#)



2.4/ 5.8 GHz 9 dBi Dual Band Omni Antenna

Antennas Technical Data Sheet

PE510M1005

Vertical Beam Width	10	11	Degrees
Maximum Input Power	100	100	Watts

Mechanical Specifications

Radome Material	Fiberglass
Size	
Radome Diameter	2.04 in [51.82 mm]
Overall Length	50.8 in [129.03 cm]
Width	2.04 in [51.82 mm]
Height	2.04 in [51.82 mm]
Mounting Mast Diameter	1.2 to 2.4 in [30.48 to 60.96 mm]
Weight	8 lbs [3.63 kg]

Environmental Specifications

Temperature	
Operating Range	-40 to +85 deg C

Compliance Certifications (see [product page](#) for current document)

Plotted and Other Data

Notes:

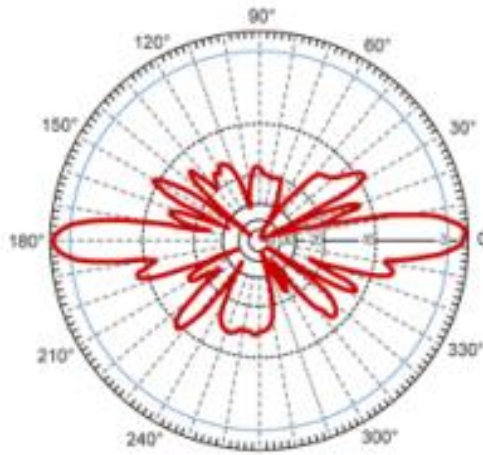
Click the following link (or enter part number in "SEARCH" on website) to obtain additional part information including price, inventory and certifications: [2.4/ 5.8 GHz 9 dBi Dual Band Omni Antenna PE510M1005](#)



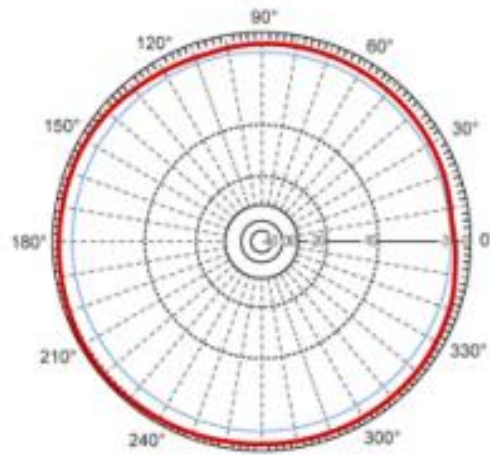
2.4/ 5.8 GHz 9 dBi Dual Band Omni Antenna

Antennas Technical Data Sheet

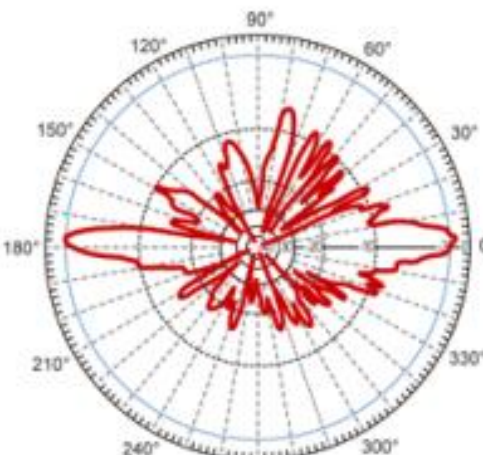
PE510M1005



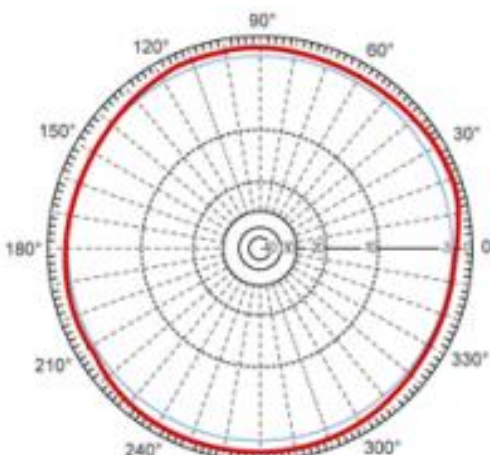
2.4 GHz Vertical



2.4 GHz Horizontal



5.8 GHz Vertical



5.8 GHz Horizontal

Click the following link (or enter part number in "SEARCH" on website) to obtain additional part information including price, inventory and certifications: [2.4/ 5.8 GHz 9 dBi Dual Band Omni Antenna PE510M1005](#)



2.4/ 5.8 GHz 9 dBi Dual Band Omni Antenna

Antennas Technical Data Sheet

PE51OM1005

2.4/ 5.8 GHz 9 dBi Dual Band Omni Antenna from Pasternack Enterprises has same day shipment for domestic and International orders. Our RF, microwave and millimeter wave products maintain a 99.4% availability and are part of the broadest selection in the industry.

Click the following link (or enter part number in "SEARCH" on website) to obtain additional part information including price, inventory and certifications: [2.4/ 5.8 GHz 9 dBi Dual Band Omni Antenna PE51OM1005](https://www.pasternack.com/dual-antenna-9-dbi-gain-n-pe51om1005-p.aspx)

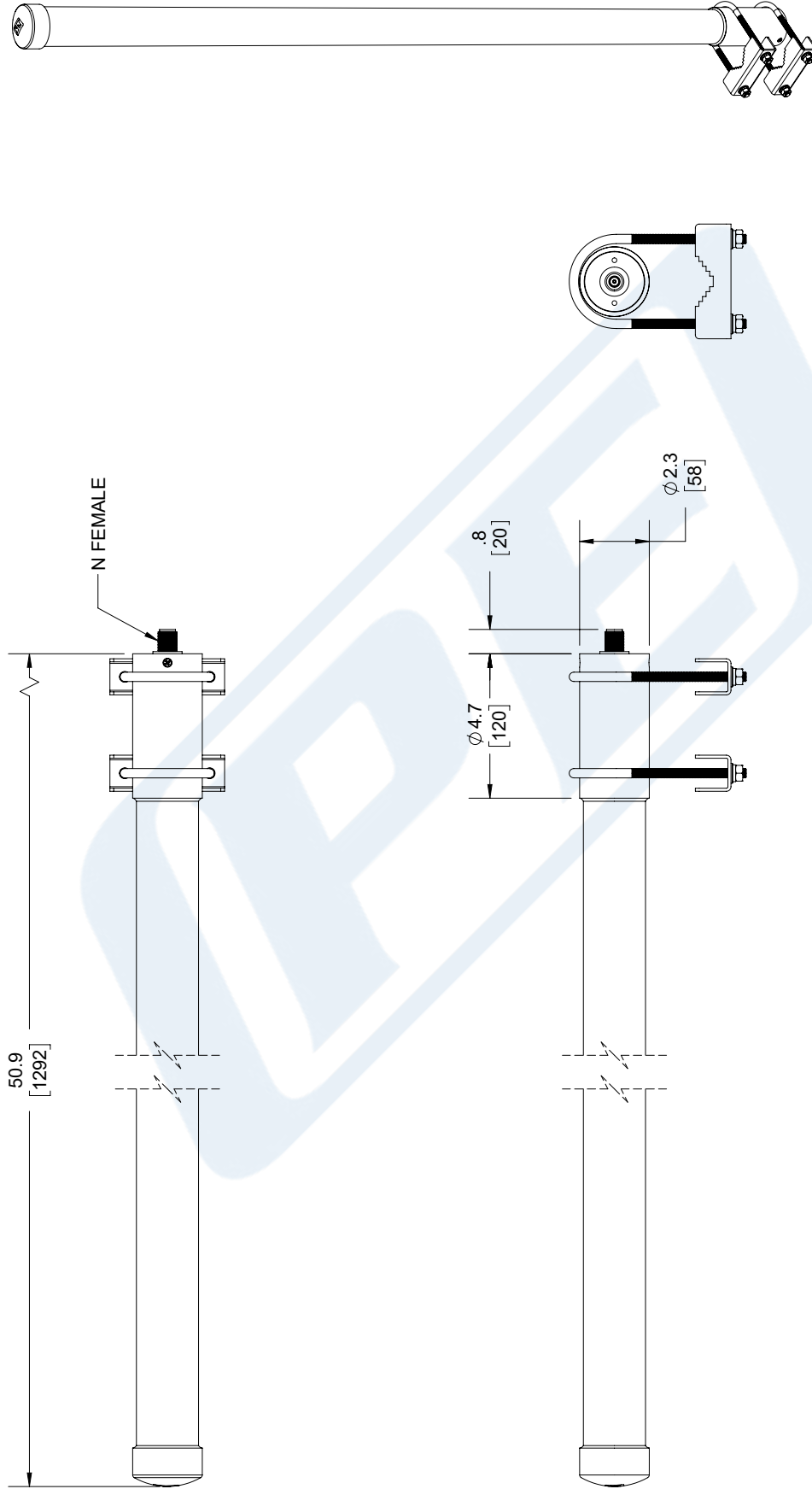
URL: <https://www.pasternack.com/dual-antenna-9-dbi-gain-n-pe51om1005-p.aspx>

The information contained in this document is accurate to the best of our knowledge and representative of the part described herein. It may be necessary to make modifications to the part and/or the documentation of the part, in order to implement improvements. Pasternack reserves the right to make such changes as required. Unless otherwise stated, all specifications are nominal. Pasternack does not make any representation or warranty regarding the suitability of the part described herein for any particular purpose, and Pasternack does not assume any liability arising out of the use of any part or documentation.

PE51OM1005 CAD Drawing

2.4/ 5.8 GHz 9 dBi Dual Band Omni Antenna

REVISIONS			
REV.	DESCRIPTION	DATE	APPROVED
A	INITIAL RELEASE	2/13/2020	M.MILLER



UNLESS OTHERWISE SPECIFIED
LEADING DIMENSIONS ARE INCHES
DIMENSIONS IN [] ARE MILLIMETERS

TOLERANCES:

.X = ±.2	[5.08]	FRACTIONS
.XX = ±.02	[.51]	± 1/32
.XXX = ±.005	[.13]	ANGLES ± 1°

CABLE LENGTH (L) TOLERANCES:

L ≤ 12	[305]	= +1 [25] / -0
12 [305] < L ≤ 60	[1524]	= +2 [51] / -0
60 [1524] < L ≤ 120	[3048]	= +4 [102] / -0
120 [3048] < L ≤ 300	[7620]	= +6 [152] / -0
300 [7620] < L		= +5% / L / -0

ALL DIMENSIONS SHOWN
ARE FOR REFERENCE ONLY.

PASTERNAK
an INFINITO brand

Pasternack Enterprises, Inc.
P. O. Box 16759, Irvine, CA 92623.
Phone: 1.949.261.1920 | 1.866.727.8376
Fax: 1.949.261.7451
Website: www.pasternack.com
E-mail: sales@pasternack.com

THIRD-ANGLE PROJECTION

THE INFORMATION AND
DESIGN IN THIS DOCUMENT
IS THE PROPERTY OF
PASTERNAK CORPORATION
ALL RIGHTS RESERVED.

SHEET 1 OF 1

SCALE N/A

SIZE	CAGE CODE	DRAWN BY	ITEM NO	REV
A	53919	K.DANG	PE51OM1005	A

REGULATORY COMPLIANCE:
EU RoHS DIRECTIVE (MOST RECENT RELEASED VERSION)

THESE COMMODITIES, TECHNOLOGY OR SOFTWARE WERE EXPORTED FROM THE UNITED STATES IN ACCORDANCE WITH THE EXPORT ADMINISTRATION REGULATIONS. DIVERSION CONTRARY TO U.S. LAW PROHIBITED.