



2.4/5.8 GHz 3.5/4 dBi Dual Band Omni Antenna

Antennas Technical Data Sheet

PE510M1001

Features

- High Performance in a compact lightweight design
- Durable UV-Stable fiberglass radome with vented end cap and drain holes in base
- All weather operation
- Integral N-Female connector
- Includes mast mounting kit

Applications

- 2.4/4.9/5.1/5.3/5.4/5.8 GHz Wireless LAN systems
- IEEE 802.11a/b/g/n and 802.11ac compatible
- Homeland Security and Public Safety band
- WiMAX and WiFi applications
- Multipoint and mobile applications

Description

The HyperLink brand PE510M1001 is an economical yet high performance dual band omnidirectional antenna designed for operation in the 2.4 GHz and 4.9/5.8 GHz frequency bands. Compact and lightweight, these antennas are ideally suited multipoint applications where wide coverage is desired.

The PE510M1001 antennas feature an integral N-Female bulkhead type connector that can mount through the wall of an equipment enclosure. Also included is a mast mounting kit which consists of a heavy-duty steel bracket and a pair of U-bolts. This kit allows for installations on masts up to 2.0" in diameter. A vented end cap and drain holes in the base help prevent moisture build-up inside the antenna. These features allow the antenna to be mounted in up or down positions.

Configuration

Design	Omni
Band Type	Dual
Radiation Pattern	Omni Directional
Polarization	Vertical
Connector Type	N Female
Number of Ports	1
Lightning Protection	DC Short

Electrical Specifications

Description	Minimum	Typical	Maximum	Units
Frequency Range	2,400		5,850	MHz
Input VSWR			2:1	
Impedance		50		Ohms
Input Power			50	Watts

Specifications by Band

Description	Band 1	Band 2	Band 3	Band 4	Band 5	Units
Range	2.4 to 2.5	4.9 to 5.85				GHz
Gain	3.5	4				dBi
Horizontal Beam Width	360					Degrees
Vertical Beam Width	55					Degrees
Maximum Input Power	50					Watts

Click the following link (or enter part number in "SEARCH" on website) to obtain additional part information including price, inventory and certifications: [2.4/5.8 GHz 3.5/4 dBi Dual Band Omni Antenna PE510M1001](#)



2.4/5.8 GHz 3.5/4 dBi Dual Band Omni Antenna

Antennas Technical Data Sheet

PE510M1001

Mechanical Specifications

Radome Material	Fiberglass
Size	
Base Diameter	1.27 in [32.26 mm]
Radome Diameter	0.75 in [19.05 mm]
Overall Length	4.7 in [119.38 mm]
Width	0.75 in [19.05 mm]
Height	0.75 in [19.05 mm]
Mounting Mast Diameter	1.2 to 2 in [30.48 to 50.80 mm]
Weight	1.2 lbs [544.31 g]

Environmental Specifications

Temperature	
Operating Range	-40 to +85 deg C

Compliance Certifications (see [product page](#) for current document)

Plotted and Other Data

Notes:

Click the following link (or enter part number in "SEARCH" on website) to obtain additional part information including price, inventory and certifications: [2.4/5.8 GHz 3.5/4 dBi Dual Band Omni Antenna PE510M1001](#)

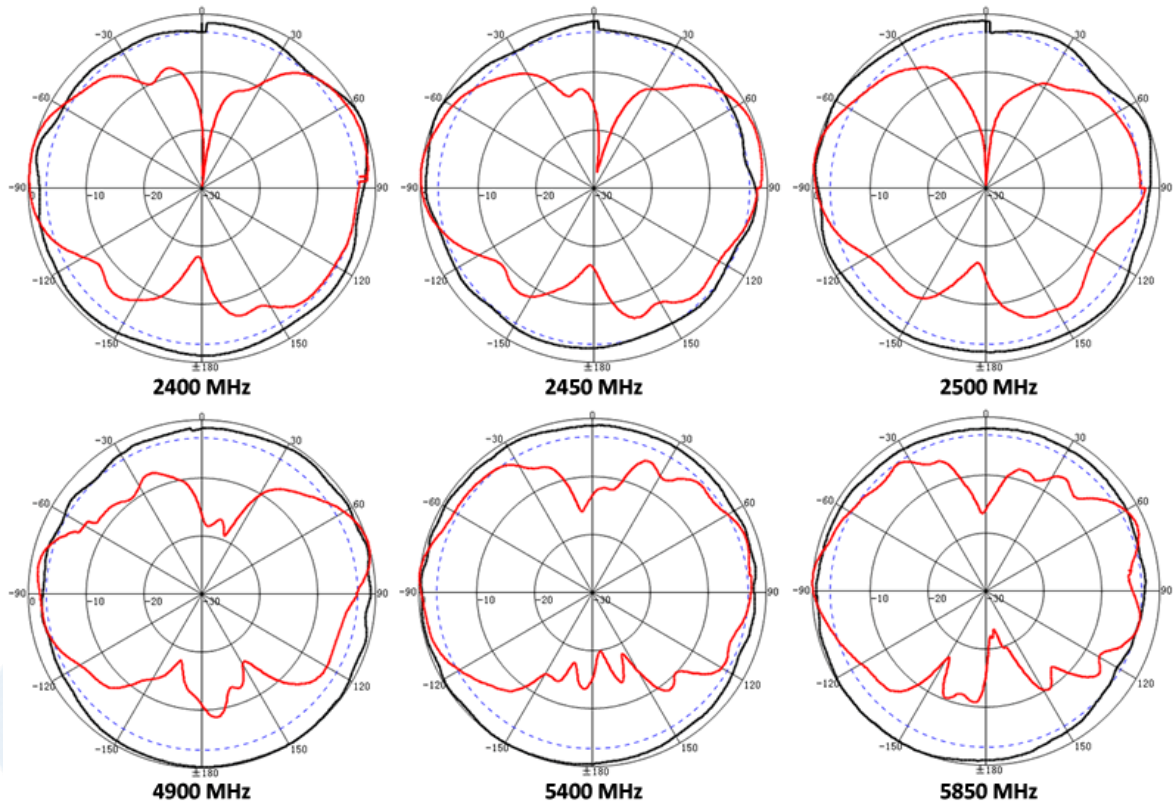


2.4/5.8 GHz 3.5/4 dBi Dual Band Omni Antenna

Antennas Technical Data Sheet

PE510M1001

RF Antenna Patterns – PE510M1001



Click the following link (or enter part number in “SEARCH” on website) to obtain additional part information including price, inventory and certifications: [2.4/5.8 GHz 3.5/4 dBi Dual Band Omni Antenna PE510M1001](#)



2.4/5.8 GHz 3.5/4 dBi Dual Band Omni Antenna

Antennas Technical Data Sheet

PE51OM1001

2.4/5.8 GHz 3.5/4 dBi Dual Band Omni Antenna from Pasternack Enterprises has same day shipment for domestic and International orders. Our RF, microwave and millimeter wave products maintain a 99.4% availability and are part of the broadest selection in the industry.

Click the following link (or enter part number in "SEARCH" on website) to obtain additional part information including price, inventory and certifications: [2.4/5.8 GHz 3.5/4 dBi Dual Band Omni Antenna PE51OM1001](https://www.pasternack.com/dual-antenna-0-dbi-gain-n-pe51om1001-p.aspx)

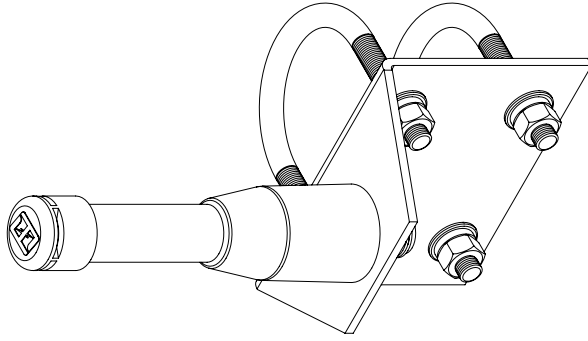
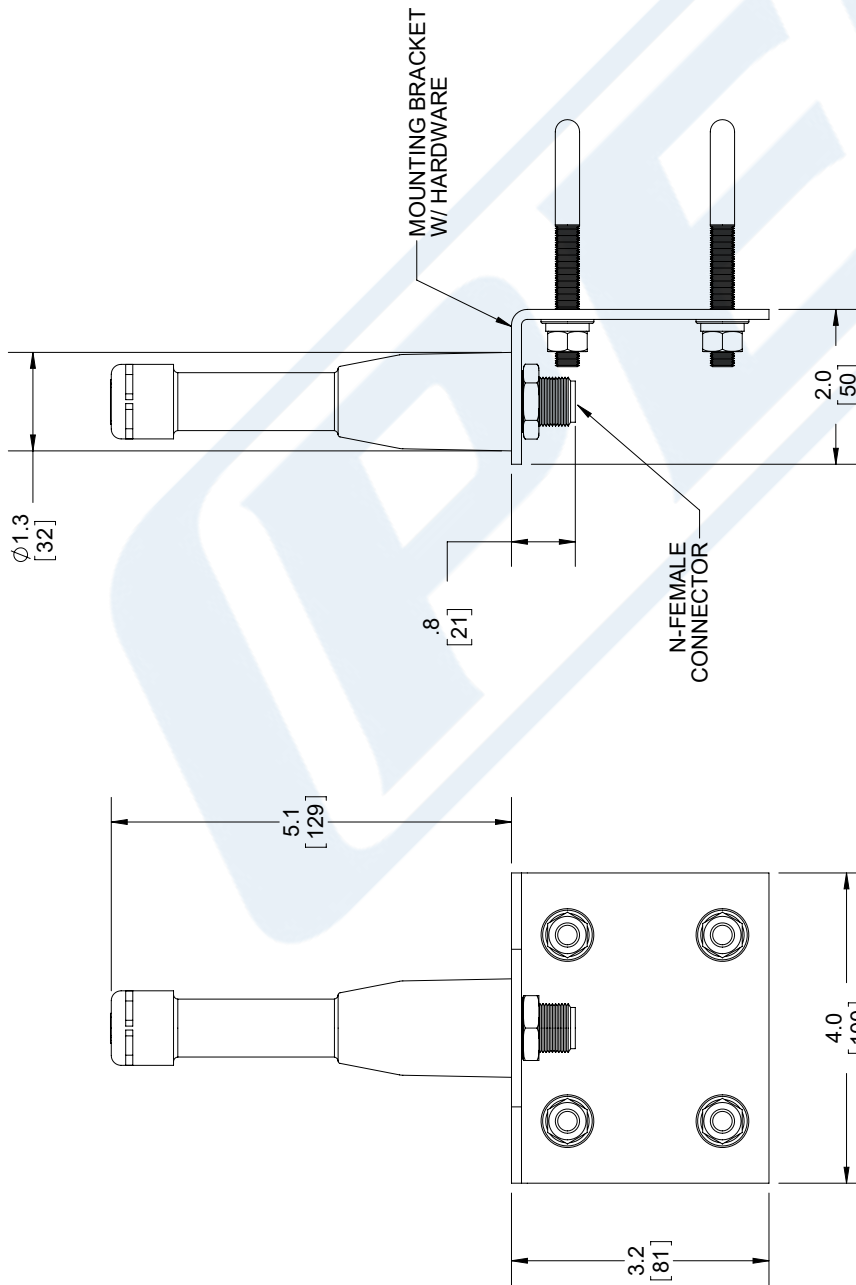
URL: <https://www.pasternack.com/dual-antenna-0-dbi-gain-n-pe51om1001-p.aspx>

The information contained in this document is accurate to the best of our knowledge and representative of the part described herein. It may be necessary to make modifications to the part and/or the documentation of the part, in order to implement improvements. Pasternack reserves the right to make such changes as required. Unless otherwise stated, all specifications are nominal. Pasternack does not make any representation or warranty regarding the suitability of the part described herein for any particular purpose, and Pasternack does not assume any liability arising out of the use of any part or documentation.

PE51OM1001 CAD Drawing

2.4/5.8 GHz 3.5/4 dBi Dual Band Omni Antenna

REVISIONS		
REV.	DESCRIPTION	DATE
	INITIAL RELEASE	2/13/2020
		APPROVED
		M.MILLER



UNLESS OTHERWISE SPECIFIED LEADING DIMENSIONS ARE INCHES DIMENSIONS IN [] ARE MILLIMETERS

TOLERANCES:

.X = ±.2 [5.08] | FRACTIONS ± 1/32
 .XX = ±.02 [.51] | ANGLES ± 1°
 .XXX = ±.005 [.13] |

CABLE LENGTH (L) TOLERANCES:
 L ≤ 12 [305] = +1 [25] / -0
 12 [305] < L ≤ 60 [1524] = +2 [51] / -0
 60 [1524] < L ≤ 120 [3048] = +4 [102] / -0
 120 [3048] < L ≤ 300 [7620] = +6 [152] / -0
 300 [7620] < L = +5% L / -0

ALL DIMENSIONS SHOWN ARE FOR REFERENCE ONLY.

PASTERNAK
an INFINITO brand

Pasternack Enterprises, Inc.
 P.O. Box 16759, Irvine, CA 92623.
 Phone: 1.949.261.1920 | 1.866.727.8376
 Fax: 1.949.261.7451
 Website: www.pasternack.com
 E-mail: sales@pasternack.com

THIRD-ANGLE PROJECTION

THE INFORMATION AND DESIGN IN THIS DOCUMENT IS THE PROPERTY OF PASTERNAK CORPORATION ALL RIGHTS RESERVED.

SHEET 1 OF 1

SCALE N/A

SIZE	CAGE CODE	DRAWN BY	ITEM NO.	REV
A	53919	K.DANG	PE51OM1001	A