



Antenna Operates From 1.7 GHz to 2.5 GHz with a Maximum 2 dBi Gain TNC Male Input Connector Rated

TECHNICAL DATA SHEET

PE51173

Configuration

Design	Portable
Frequency Range	1.7 to 2.5 GHz
Polarization	Vertical
Interface 1	TNC Male

Electrical Specifications

Description	Minimum	Typical	Maximum	Units
Impedance		50		Ohms
Gain			2	dBi
Horizontal Half Power Beam Width		70		Degrees
Vertical Half Power Beam Width		360		Degrees
Input Power			50	Watts
Input VSWR			2:1	

Mechanical Specifications

Radome Material	Fiberglass
Size	
Length	10 in [254 mm]
Width	0.812 in [20.62 mm]
Weight	0.264 lbs [119.75 g]

Environmental Specifications

Compliance Certifications (see [product page](#) for current document)

Plotted and Other Data

2 Dimensional OML Drawing	PE51173
Notes:	

Click the following link (or enter part number in "SEARCH" on website) to obtain additional part information including price, inventory and certifications: [Antenna Operates From 1.7 GHz to 2.5 GHz with a Maximum 2 dBi Gain TNC Male Input Connector Rated PE51173](#)



Antenna Operates From 1.7 GHz to 2.5 GHz with a
Maximum 2 dBi Gain TNC Male Input Connector Rated

TECHNICAL DATA SHEET

PE51173

Antenna Operates From 1.7 GHz to 2.5 GHz with a Maximum 2 dBi Gain TNC Male Input Connector Rated from Pasternack Enterprises has same day shipment for domestic and International orders. Our RF, microwave and millimeter wave products maintain a 99.4% availability and are part of the broadest selection in the industry.

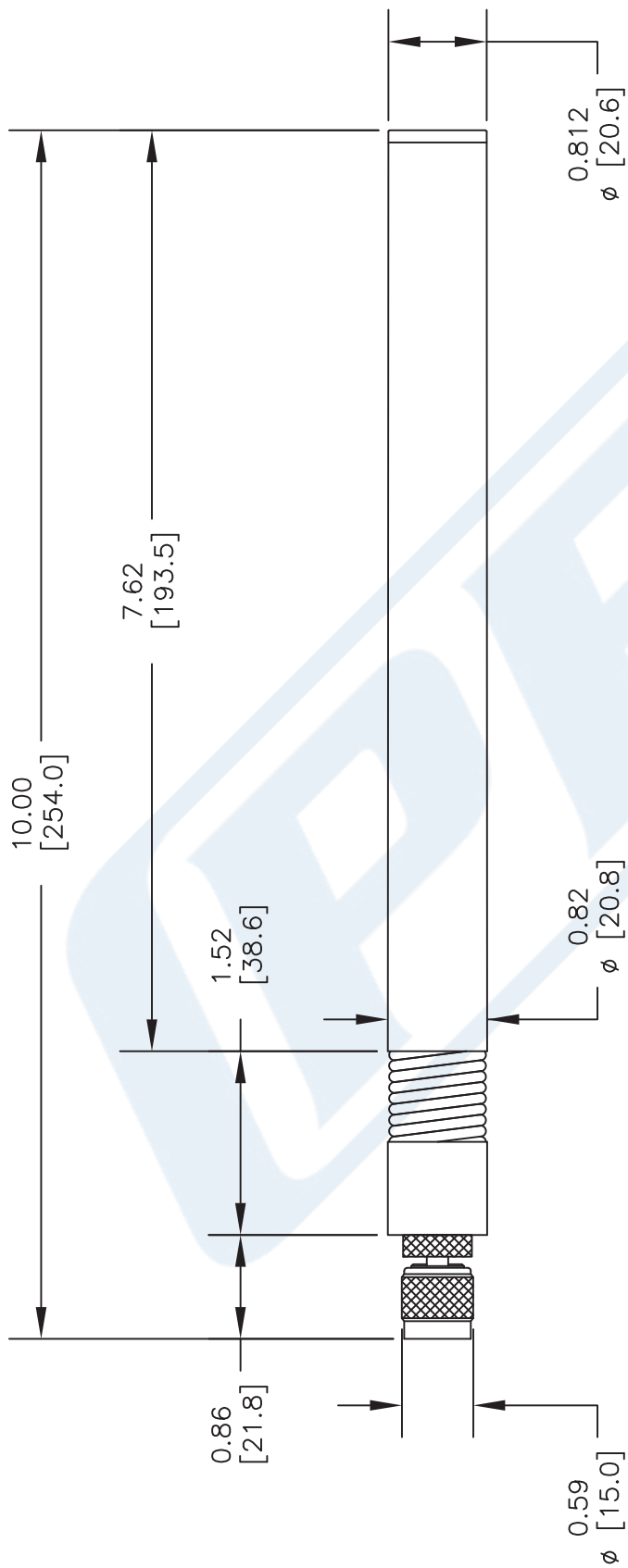
Click the following link (or enter part number in "SEARCH" on website) to obtain additional part information including price, inventory and certifications: [Antenna Operates From 1.7 GHz to 2.5 GHz with a Maximum 2 dBi Gain TNC Male Input Connector Rated PE51173](#)

URL: <https://www.pasternack.com/single-antenna-1.7-2.5-ghz-0-dbi-gain-tnc-pe51173-p.aspx>

The information contained in this document is accurate to the best of our knowledge and representative of the part described herein. It may be necessary to make modifications to the part and/or the documentation of the part, in order to implement improvements. Pasternack reserves the right to make such changes as required. Unless otherwise stated, all specifications are nominal. Pasternack does not make any representation or warranty regarding the suitability of the part described herein for any particular purpose, and Pasternack does not assume any liability arising out of the use of any part or documentation.

PE51173 CAD Drawing

Antenna Operates From 1.7 GHz to 2.5 GHz with a Maximum
2 dBi Gain TNC Male Input Connector Rated



STANDARD TOLERANCES	
.X	±0.2
.XX	±0.1
.XXX	±0.05

*STANDARD TOLERANCES APPLY ONLY TO DIMENSIONS IN INCHES

NOTES:
1. UNLESS OTHERWISE SPECIFIED ALL DIMENSIONS ARE NOMINAL.
2. ALL SPECIFICATIONS ARE SUBJECT TO CHANGE WITHOUT NOTICE AT ANY TIME.
3. DIMENSIONS ARE IN INCHES [mm].

DWG TITLE	PE51173		
CAGE CODE	53919	CAD FILE	050817
SCALE	N/A	SIZE	A
			2233

PE PASTERNAK®
THE ENGINEER'S RF SOURCE
Pasternack Enterprises, Inc.
P.O. Box 16759 | Irvine | CA | 92623
Phone: (949) 261-1920 | Fax: (949) 261-7451
Website: www.pasternack.com | E-Mail: sales@pasternack.com