



Paddle Portable Dual Band Band Antenna Operates From
With a Maximum 6 dBi Gain RP SMA Male Input Connector

Antennas Technical Data Sheet

PE51142

Configuration

Design	Portable
Band Type	Dual
Radiation Pattern	Omni Directional
Connector Type	SMA Male Reverse Polarity
Number of Ports	1

Electrical Specifications

Description	Minimum	Typical	Maximum	Units
Input VSWR			2:1	
Impedance		50		Ohms
Gain			6	dBi

Specifications by Band

Description	Band 1	Band 2	Band 3	Band 4	Band 5	Units
Range	2.4 to 2.5	5 to 5.9				GHz
Gain	3.5	6				dBi

Mechanical Specifications

Size	
Overall Length	4.9 in [124.46 mm]
Width	0.9 in [22.86 mm]
Height	0.5 in [12.7 mm]
Weight	0.046 lbs [20.87 g]

Environmental Specifications

Temperature	
Operating Range	-10 to +55 deg C

Compliance Certifications (see [product page](#) for current document)

Plotted and Other Data

Notes:

Click the following link (or enter part number in "SEARCH" on website) to obtain additional part information including price, inventory and certifications: [Paddle Portable Dual Band Band Antenna Operates From With a Maximum 6 dBi Gain RP SMA Male Input Connector PE51142](#)



Paddle Portable Dual Band Band Antenna Operates From With a Maximum 6 dBi Gain RP SMA Male Input Connector

Antennas Technical Data Sheet

PE51142

Paddle Portable Dual Band Band Antenna Operates From With a Maximum 6 dBi Gain RP SMA Male Input Connector from Pasternack Enterprises has same day shipment for domestic and International orders. Our RF, microwave and millimeter wave products maintain a 99.4% availability and are part of the broadest selection in the industry.

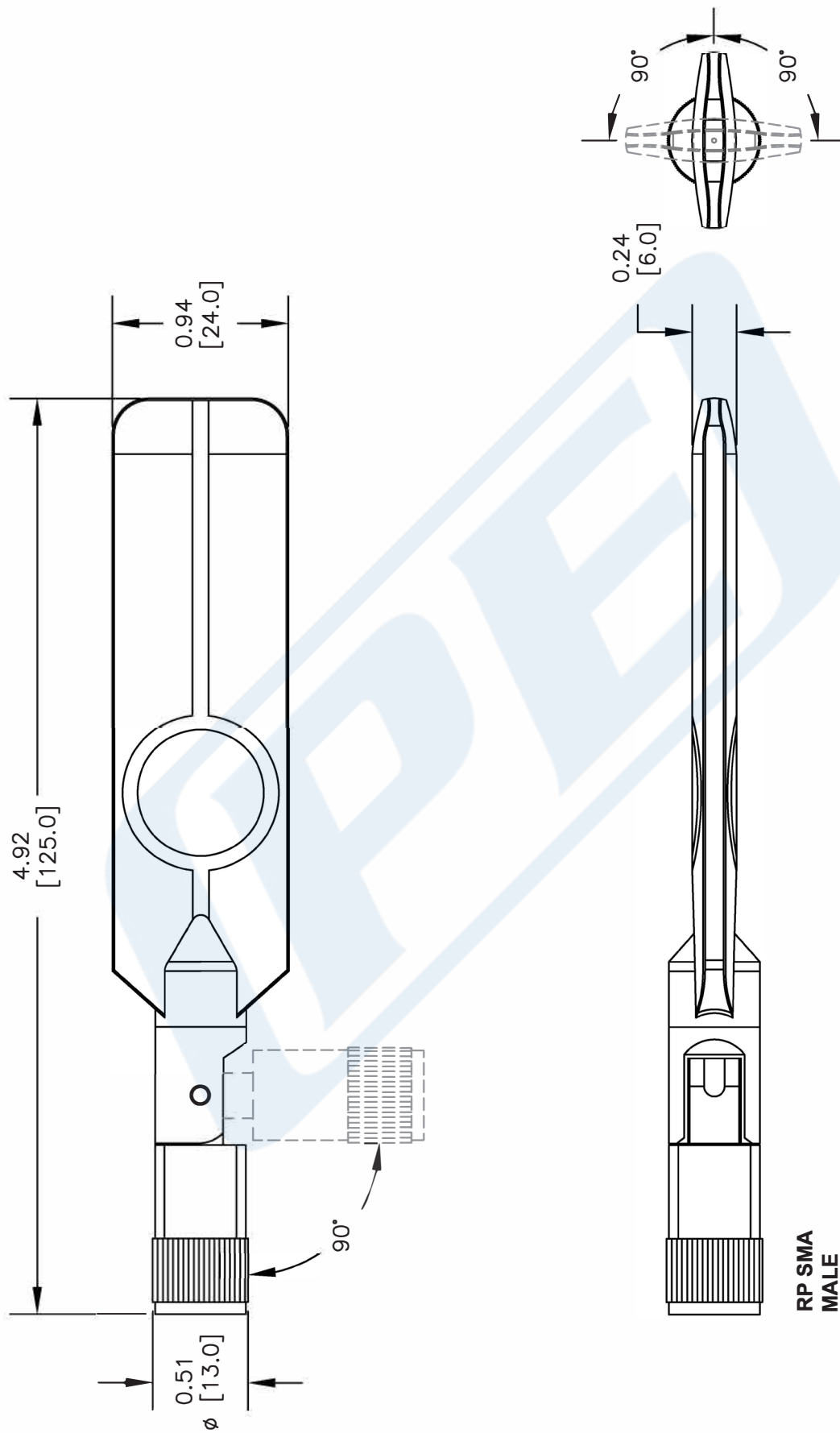
Click the following link (or enter part number in "SEARCH" on website) to obtain additional part information including price, inventory and certifications: [Paddle Portable Dual Band Band Antenna Operates From With a Maximum 6 dBi Gain RP SMA Male Input Connector PE51142](https://www.pasternack.com/portable-dual-band-antenna-0-dbi-gain-sma-pe51142-p.aspx)

URL: <https://www.pasternack.com/portable-dual-band-antenna-0-dbi-gain-sma-pe51142-p.aspx>

The information contained in this document is accurate to the best of our knowledge and representative of the part described herein. It may be necessary to make modifications to the part and/or the documentation of the part, in order to implement improvements. Pasternack reserves the right to make such changes as required. Unless otherwise stated, all specifications are nominal. Pasternack does not make any representation or warranty regarding the suitability of the part described herein for any particular purpose, and Pasternack does not assume any liability arising out of the use of any part or documentation.

PE51142 CAD Drawing

Paddle Portable Dual Band Band Antenna Operates From With
a Maximum 6 dBi Gain RP SMA Male Input Connector



RP SMA
MALE

NOTES:
1. UNLESS OTHERWISE SPECIFIED ALL DIMENSIONS ARE NOMINAL.
2. ALL SPECIFICATIONS ARE SUBJECT TO CHANGE WITHOUT NOTICE AT ANY TIME.
3. DIMENSIONS ARE IN INCHES [mm].

DWG TITLE
PE51142

FSCM NO. 53919

CAD FILE 061915
SCALE N/A
SIZE A
2233



THE ENGINEER'S RF SOURCE
Pasternack Enterprises, Inc.
P.O. Box 16759 | Irvine | CA | 92623

Phone: (949) 261-1920 | Fax: (949) 261-7451

Website: www.pasternack.com | E-Mail: sales@pasternack.com