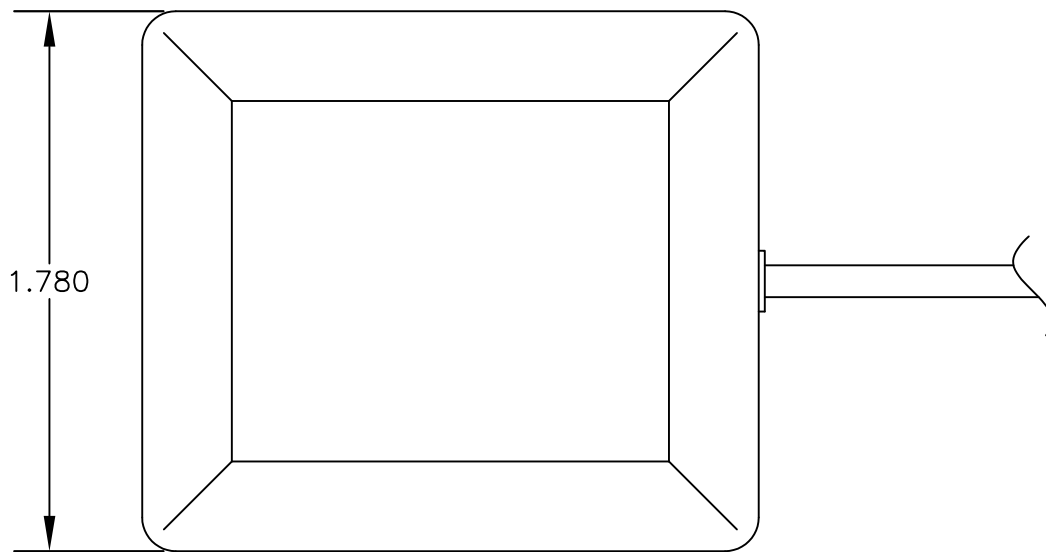
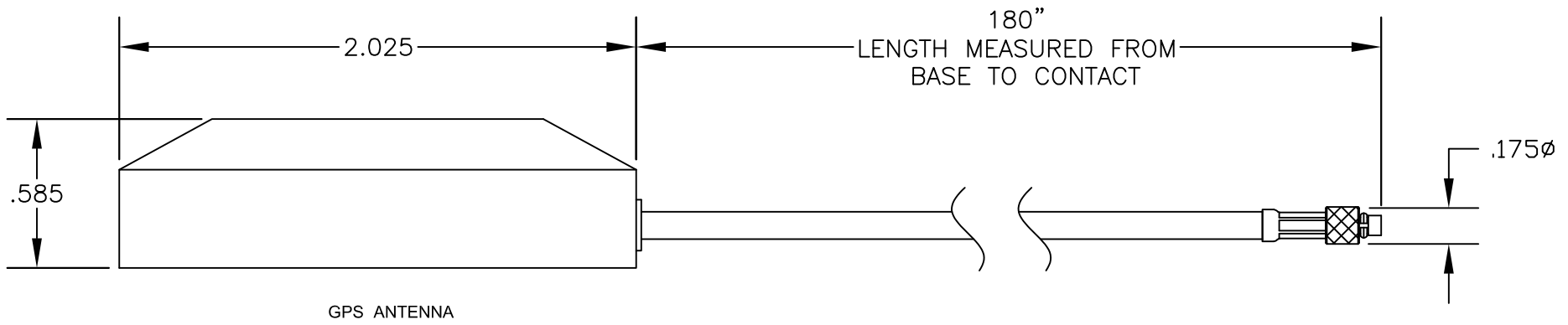



COMPONENTS	IMPEDANCE
GPS ANTENNA	50 OHM
MMCX MALE	50 OHM
RG174	50 OHM





PASTERNACK ENTERPRISES
ESTABLISHED 1972

PASTERNACK ENTERPRISES, INC.
P.O BOX 16759, IRVINE, CA 92623
PHONE (949) 261-1920 FAX (949) 261-7451
WEB ADDRESS: www.pasternack.com
E-MAIL ADDRESS: sales@pasternack.com
COAXIAL & FIBER OPTICS

DWG TITLE		DES.			
PE51016-5		GPS ANTENNA, MAGNETIC MOUNT, TO MMCX MALE, RG174 COAXIAL CABLE			
SIZE A	FSCM NO. 53919	CAD FILE	012307	SCALE	N/A
					127

* STANDARD CABLE LENGTH TOLERANCE OF $\pm 1.5\%$ OR $\pm 3/8$ " APPLIES WHICHEVER IS GREATER.

- NOTES:**
- UNLESS OTHERWISE SPECIFIED ALL DIMENSIONS ARE NOMINAL.
 - ALL SPECIFICATIONS ARE SUBJECT TO CHANGE WITHOUT NOTICE AT ANY TIME.
 - DIMENSIONS ARE IN INCHES.
 - LENGTH TOLERANCE IS $\pm 1.5\%$ OR $\pm 3/8$ ", WHICHEVER IS GREATER