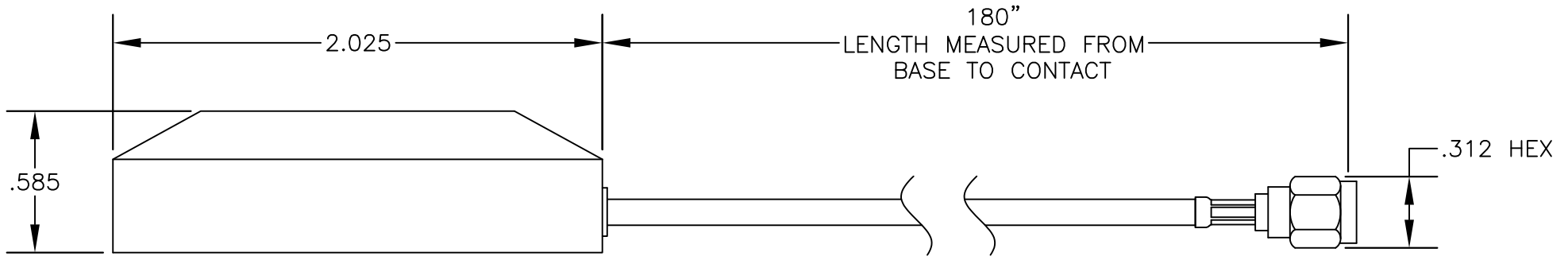
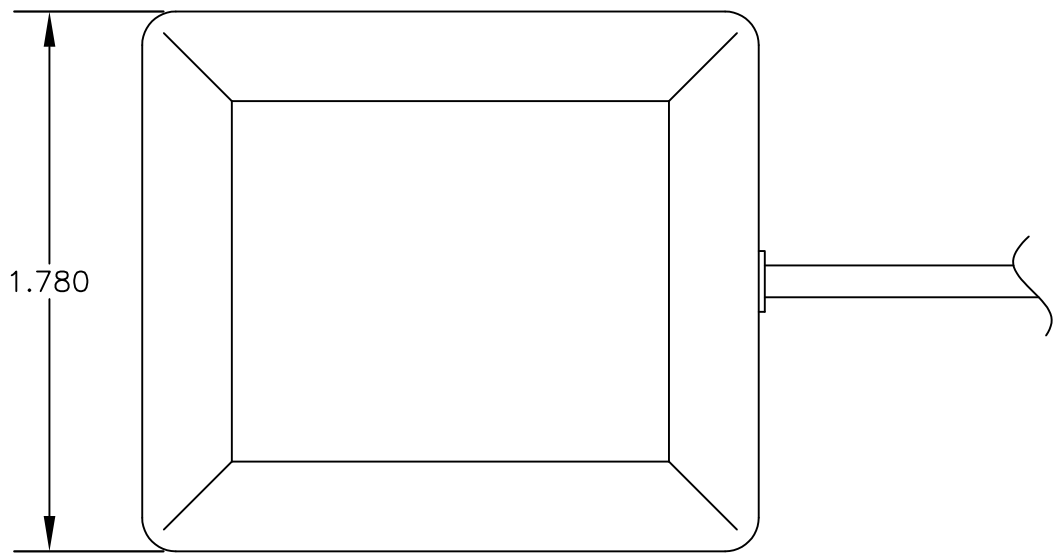


COMPONENTS	IMPEDANCE
GPS ANTENNA	50 OHM
SMA MALE	50 OHM
RG174	50 OHM



GPS ANTENNA

SMA MALE



PASTERNACK ENTERPRISES, INC.
 P.O BOX 16759, IRVINE, CA 92623
 PHONE (949) 261-1920 FAX (949) 261-7451
 WEB ADDRESS: www.pasternack.com
 E-MAIL ADDRESS: sales@pasternack.com
COAXIAL & FIBER OPTICS

DWG TITLE	DES. GPS ANTENNA, MAGNETIC MOUNT, TO SMA MALE, RG174 COAXIAL CABLE			
PE51016-1				

SIZE A	FSCM NO. 53919	CAD FILE 012407	SCALE N/A	127
--------	----------------	-----------------	-----------	-----

- NOTES:**
- UNLESS OTHERWISE SPECIFIED ALL DIMENSIONS ARE NOMINAL.
 - ALL SPECIFICATIONS ARE SUBJECT TO CHANGE WITHOUT NOTICE AT ANY TIME.
 - DIMENSIONS ARE IN INCHES.
 - LENGTH TOLERANCE IS $\pm 1.5\%$ OR $\pm 3/8"$, WHICHEVER IS GREATER