



C Female Bulkhead Mount Connector Solder Attachment  
Solder Cup Terminal, .720 inch D Hole High Voltage

TECHNICAL DATA SHEET

PE4972

**Configuration**

Connector	C Female
Connector Specification	MIL-C-39012
Connector Interface Type	Solder Cup
Attachment Method (Shield/Contact)	Solder
Body Style	Straight
Mount Method	Bulkhead

**Electrical Specifications**

Impedance	50 Ohms
Dielectric Withstanding Voltage	3,000 Vrms

**Mechanical Specifications**

**Temperature**

Operating Range	-65 to +165 deg C
-----------------	-------------------

**Size**

Length	1.315 in [33.4 mm]
Width/Dia.	1 in [25.40 mm]
Weight	0.089 lbs [40.37 g]

**Connector**

Type	C Female
Contact Material and Plating	Silver
Contact Plating Specification	QQ-S-365
Body Material and Plating	Brass, Nickel
Dielectric Type	Teflon

**Compliance Certifications** (visit [www.Pasternack.com](http://www.Pasternack.com) for current document)

RoHS Compliant	
REACH Compliant	06/18/2012

Click the following link (or enter part number in "SEARCH" on website) to obtain additional part information including price, inventory and certifications: [C Female Bulkhead Mount Connector Solder Attachment Solder Cup Terminal, .720 inch D Hole High Voltage PE4972](#)



## C Female Bulkhead Mount Connector Solder Attachment Solder Cup Terminal, .720 inch D Hole High Voltage

### TECHNICAL DATA SHEET

PE4972

#### Plotted and Other Data

Notes:

- Values at +25 °C, sea level

C Female Bulkhead Mount Connector Solder Attachment Solder Cup Terminal, .720 inch D Hole High Voltage from Pasternack Enterprises has same day shipment for domestic and International orders. Our RF, microwave and millimeter wave products maintain a 99% availability and are part of the broadest selection in the industry.

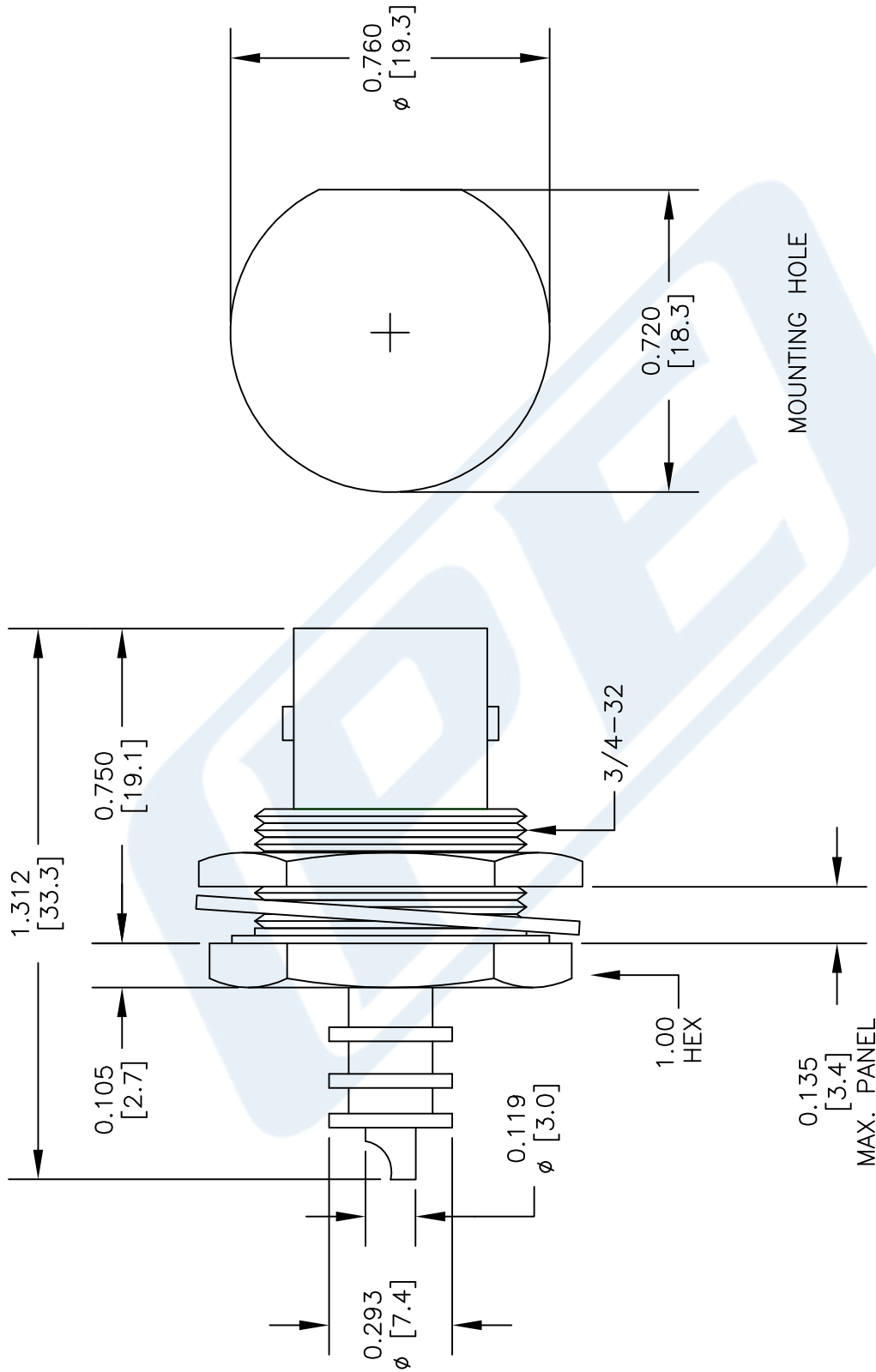
Click the following link (or enter part number in "SEARCH" on website) to obtain additional part information including price, inventory and certifications: [C Female Bulkhead Mount Connector Solder Attachment Solder Cup Terminal, .720 inch D Hole High Voltage PE4972](#)

URL: <http://www.pasternack.com/c-female-solder-cup-terminal-connector-pe4972-p.aspx>

The information contained in this document is accurate to the best of our knowledge and representative of the part described herein. It may be necessary to make modifications to the part and/or the documentation of the part, in order to implement improvements. Pasternack reserves the right to make such changes as required. Unless otherwise stated, all specifications are nominal. Pasternack does not make any representation or warranty regarding the suitability of the part described herein for any particular purpose, and Pasternack does not assume any liability arising out of the use of any part or documentation.

# PE4972 CAD Drawing

C Female Bulkhead Mount Connector Solder Attachment  
Solder Cup Terminal, .720 inch D Hole High Voltage



DWG TITLE

**PE4972**

NOTES:  
1. UNLESS OTHERWISE SPECIFIED ALL DIMENSIONS ARE NOMINAL.  
2. ALL SPECIFICATIONS ARE SUBJECT TO CHANGE WITHOUT NOTICE AT ANY TIME.  
3. DIMENSIONS ARE IN INCHES [mm].

FSCM NO. 53919

CAD FILE 100914

SCALE N/A

SIZE A

150

**PE PASTERNAK**  
THE ENGINEER'S RF SOURCE  
Pasternack Enterprises, Inc.  
P.O. Box 16759 | Irvine | CA | 92623  
Phone: (949) 261-1920 | Fax: (949) 261-7451  
Website: www.pasternack.com | E-Mail: sales@pasternack.com