



RP BNC Male Connector Solder Attachment 4 Hole Flange Solder Cup Terminal, .531 inch Hole Spacing

TECHNICAL DATA SHEET

PE4762

**RP BNC Male Connector Solder Attachment 4 Hole Flange Solder Cup Terminal, .531 inch Hole Spacing**

**Configuration**

Connector	BNC Male Reverse Polarity
Connector Interface Type	Solder Cup
Cable Attachment Method (Shield/Contact)	Solder
Body Style	Straight
Mount Method	4 Hole Flange

**Electrical Specifications**

Impedance, Ohms	50
-----------------	----

**Mechanical Specifications**

**Size**

Length, in [mm]	1.215 [30.86]
Width/Dia., in [mm]	0.75 [19.05]
Height, in [mm]	0.75 [19.05]
Weight, lbs [g]	0.041 [18.6]

**Connector**

Type	BNC Male Reverse Polarity
Contact Material and Plating	Gold
Coupling Nut Material and Plating	Brass, Nickel
Body Material and Plating	Brass, Nickel
Dielectric Type	PTFE

**Compliance Certifications** (visit [www.Pasternack.com](http://www.Pasternack.com) for current document)

RoHS Compliant	Yes
----------------	-----

**Plotted and Other Data**

Notes:	Values at 25 °C, sea level
--------	----------------------------

RP BNC Male Connector Solder Attachment 4 Hole Flange Solder Cup Terminal, .531 inch Hole Spacing from Pasternack Enterprises has same day shipment for domestic and International orders. Our RF, microwave and fiber optic products maintain a 99% availability and are part of the broadest selection in the industry.

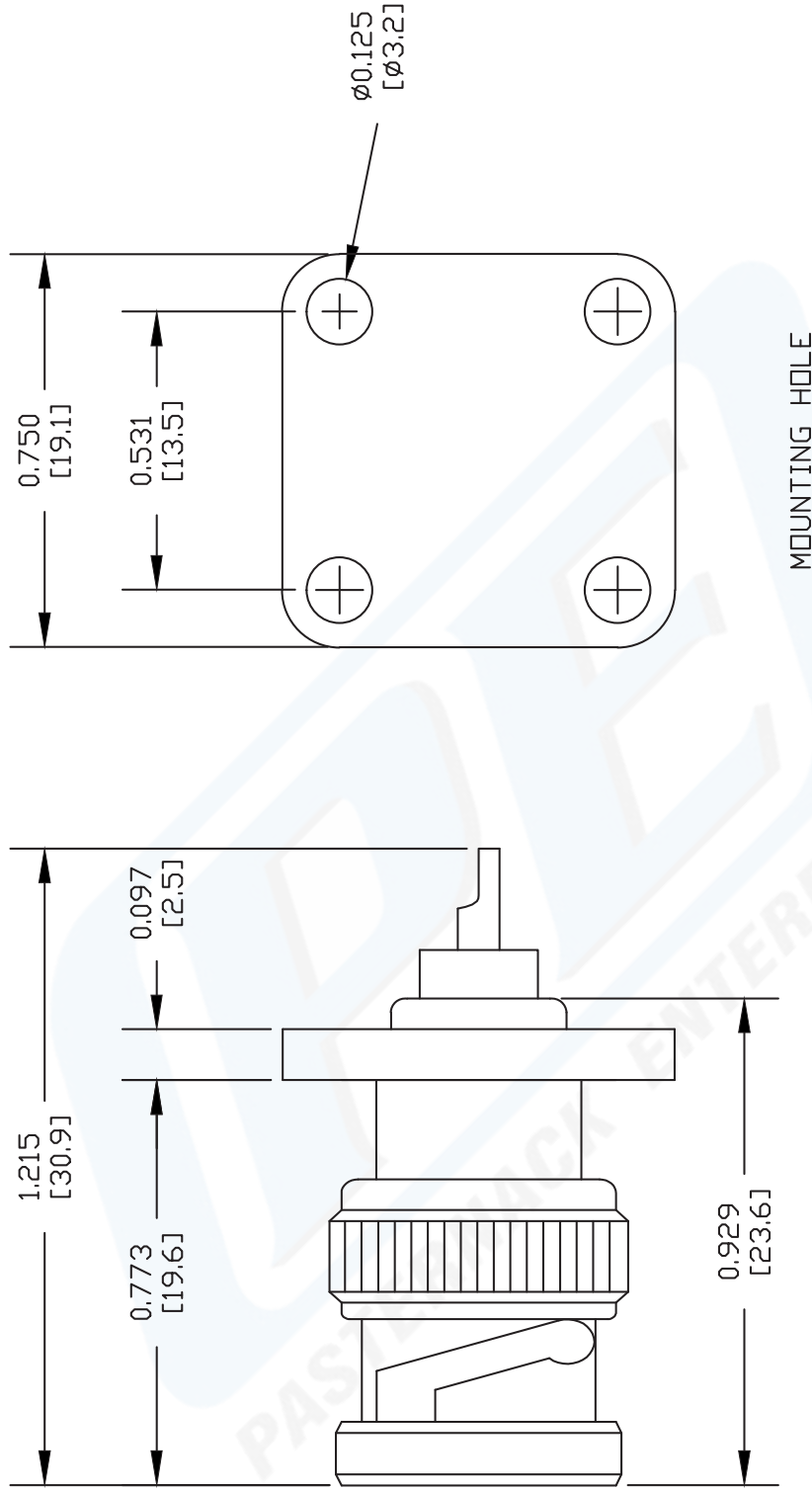
Click the following link (or enter part number in "SEARCH" on website) to obtain additional part information including price, inventory and certifications: [RP BNC Male Connector Solder Attachment 4 Hole Flange Solder Cup Terminal, .531 inch Hole Spacing PE4762](http://www.pasternack.com/bnc-male-reverse-polarity-solder-cup-terminal-connector-pe4762-p.aspx)

URL: <http://www.pasternack.com/bnc-male-reverse-polarity-solder-cup-terminal-connector-pe4762-p.aspx>

The information contained in this document is accurate to the best of our knowledge and representative of the part described herein. It may be necessary to make modifications to the part and/or the documentation of the part, in order to implement improvements. Pasternack reserves the right to make such changes as required. Unless otherwise stated, all specifications are nominal.

# PE4762 CAD Drawing

RP BNC Male Connector Solder Attachment 4 Hole Flange  
Solder Cup Terminal, .531 inch Hole Spacing



DWG TITLE

**PE4762**

NOTES:  
1. UNLESS OTHERWISE SPECIFIED ALL DIMENSIONS ARE NOMINAL.  
2. ALL SPECIFICATIONS ARE SUBJECT TO CHANGE WITHOUT NOTICE AT ANY TIME.  
3. DIMENSIONS ARE IN INCHES [mm].  
4. FITS MIL-C-17 AND EQUIVALENT CABLES.

FSCM NO. 53919

CAD FILE 061402

SCALE N/A

SIZE A

127

**PE PASTERNAK®**

Pasternack Enterprises, Inc.  
P.O. Box 16759 | Irvine | CA | 92623  
Phone: (949) 261-1920 | Fax: (949) 261-7451  
Website: www.pasternack.com | E-Mail: sales@pasternack.com