



RP BNC Male Bulkhead Mount Connector Solder Attachment Solder Cup Terminal, .350 inch D Hole

RF Connectors Technical Data Sheet

PE4761

Configuration

- BNC Male Reverse Polarity Connector
- MIL-C-39012
- 50 Ohms
- Straight Body Geometry
- Solder Cup Interface Type
- Solder Attachment
- Bulkhead

Features

- Gold Plated Brass Contact
- Reverse Polarity
- 3 µin minimum contact plating

Applications

- General Purpose Test
- Rack and Panel Mount Applications

Description

Pasternack's PE4761 RP BNC male bulkhead mount connector solder attachment solder cup terminal, .350 inch D hole is part of our full line of RF components available for same-day shipping. The male reverse polarity configuration uses a male connector body with a female inner contact receptacle. This BNC bulkhead connector allows designers to create external connections on their product enclosures, and can be used in a variety of other rack mount and panel mount applications.

Our reverse polarity BNC male bulkhead connector PE4761 datasheet specifications and drawing with dimensions are shown below in this PDF. Pasternack's broad catalog of RF, microwave and millimeter wave connectors allows designers to configure and customize their signal connections however they like. Whether the need is to provide an I/O for a board design, or simply create a custom cable assembly configuration, Pasternack has the right connector for the job. Pasternack can also expertly build your custom cable connector assemblies for you and ship same-day.

Mechanical Specifications

| Size | |
|------------|---------------------|
| Length | 1.21 in [30.73 mm] |
| Width/Dia. | 0.57 in [14.48 mm] |
| Weight | 0.029 lbs [13.15 g] |

Click the following link (or enter part number in "SEARCH" on website) to obtain additional part information including price, inventory and certifications: [RP BNC Male Bulkhead Mount Connector Solder Attachment Solder Cup Terminal, .350 inch D Hole PE4761](#)



RP BNC Male Bulkhead Mount Connector Solder
Attachment Solder Cup Terminal, .350 inch D Hole

RF Connectors Technical Data Sheet

PE4761

Material Specifications

| Description | Material | Plating |
|--------------|----------|--------------------------|
| Contact | Brass | Gold 3 µin minimum |
| Insulation | PTFE | |
| Body | Brass | Nickel 70 µin minimum |
| Coupling Nut | Brass | Nickel 70 µin minimum |

Compliance Certifications (see [product page](#) for current document)

Plotted and Other Data

Notes:

RP BNC Male Bulkhead Mount Connector Solder Attachment Solder Cup Terminal, .350 inch D Hole from Pasternack Enterprises has same day shipment for domestic and International orders. Our RF, microwave and millimeter wave products maintain a 99% availability and are part of the broadest selection in the industry.

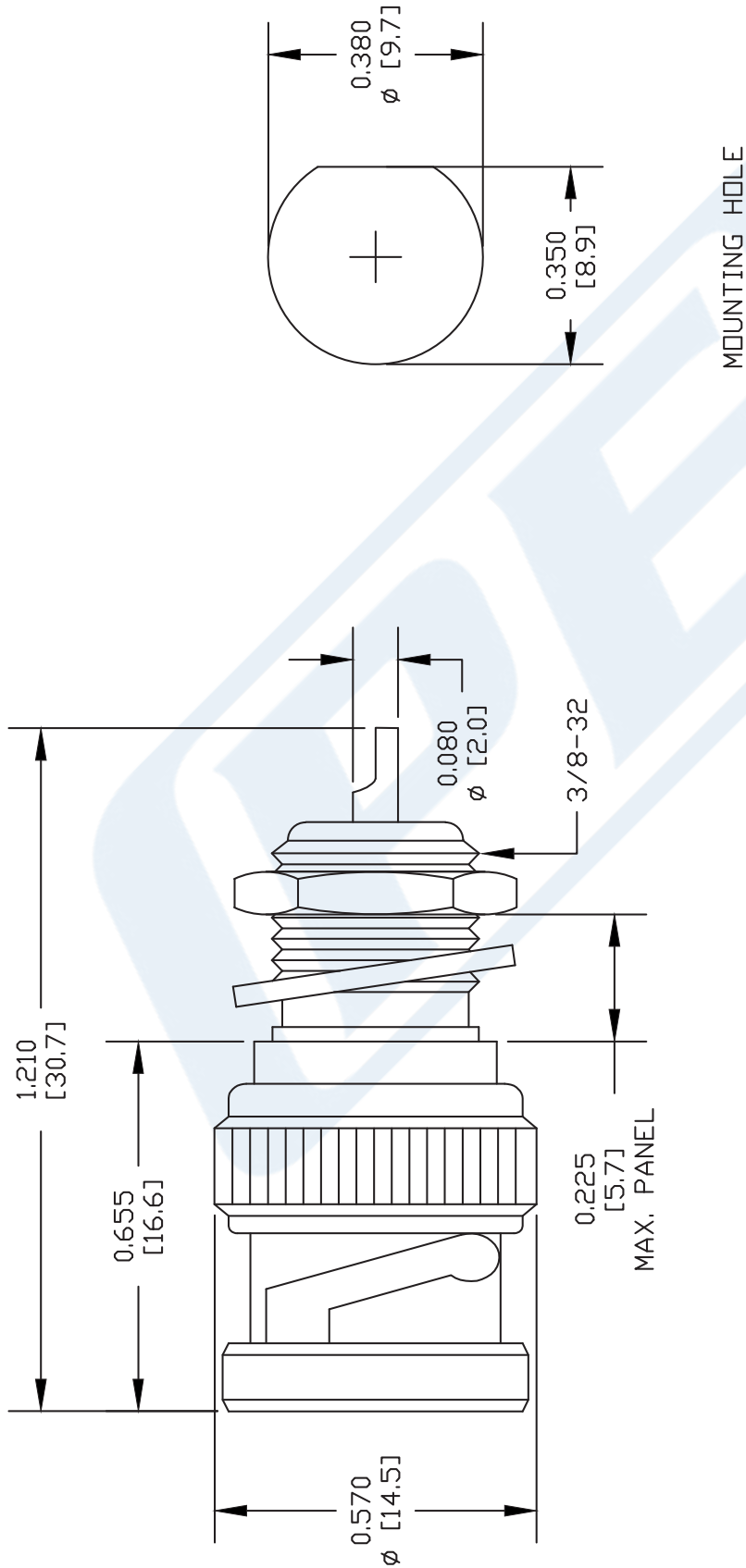
Click the following link (or enter part number in "SEARCH" on website) to obtain additional part information including price, inventory and certifications: [RP BNC Male Bulkhead Mount Connector Solder Attachment Solder Cup Terminal, .350 inch D Hole PE4761](#)

URL: <https://www.pasternack.com/bnc-male-reverse-polarity-solder-cup-terminal-connector-pe4761-p.aspx>

The information contained in this document is accurate to the best of our knowledge and representative of the part described herein. It may be necessary to make modifications to the part and/or the documentation of the part, in order to implement improvements. Pasternack reserves the right to make such changes as required. Unless otherwise stated, all specifications are nominal. Pasternack does not make any representation or warranty regarding the suitability of the part described herein for any particular purpose, and Pasternack does not assume any liability arising out of the use of any part or documentation.

PE4761 CAD Drawing

RP BNC Male Bulkhead Mount Connector Solder Attachment
Solder Cup Terminal, .350 inch D Hole



NOTES:
 1. UNLESS OTHERWISE SPECIFIED ALL DIMENSIONS ARE NOMINAL.
 2. ALL SPECIFICATIONS ARE SUBJECT TO CHANGE WITHOUT NOTICE AT ANY TIME.
 3. DIMENSIONS ARE IN INCHES [mm].
 4. FITS MIL-C-17 AND EQUIVALENT CABLES.

DWG TITLE
PE4761

FSCM NO. **53919**

CAD FILE 060602 SCALE N/A SIZE A XXXX

PE PASTERNAK®
 Pasternack Enterprises, Inc.
 P.O. Box 16759 | Irvine | CA | 92623
 Phone: (949) 261-1920 | Fax: (949) 261-7451
 Website: www.pasternack.com | E-Mail: sales@pasternack.com