

## RP-BNC Male Connector Crimp/Solder Attachment for RG59B/U, RG62



### PE4718

#### Configuration

- BNC Male Reverse Polarity Connector
- 50 Ohms
- Straight Body Geometry
- Connector Interface Types: RG59B/U, RG62

#### Features

- Gold Plated Brass Contact
- 3 $\mu$ -5 $\mu$  in. minimum contact plating
- Reverse Polarity

#### Applications

- General Purpose Test
- Custom Cable Assemblies

#### Description

Pasternack's PE4718, BNC, Standard, Connector is part of our full line of RF components available for same-day shipping. The male reverse polarity configuration uses a male connector body with a female inner contact receptacle.

Our reverse polarity BNC male connector PE4718 datasheet specifications and drawing with dimensions are shown below in this PDF. Pasternack's broad catalog of RF, microwave and millimeter wave connectors allows designers to configure and customize their signal connections however they like. Whether the need is to provide an I/O for a board design, or simply create a custom cable assembly configuration, Pasternack has the right connector for the job. Pasternack can also expertly build your custom cable assemblies for you and ship same-day.

#### Electrical Specifications

Description	Minimum	Typical	Maximum	Units
Impedance		50		Ohms

#### Mechanical Specifications

##### Size

Length	1.085 in [27.56 mm]
Width	0.57 in [14.48 mm]
Height	0 in [0 mm]
Weight	0.022 lbs [9.98 g]

#### Material Specifications

Description	Material	Plating
Contact	Brass	Gold 3 $\mu$ -5 $\mu$ in. minimum
Insulation	Teflon	
Body	Brass	Nickel 70 $\mu$ in. minimum
Coupling Nut	Brass	Nickel 70 $\mu$ in. minimum

## RP-BNC Male Connector Crimp/Solder Attachment for RG59B/U, RG62

**PE4718**



---

### Environmental Specifications

Temperature

**Compliance Certifications** (see [product page](#) for current document)

### Plotted and Other Data

Notes:

RP-BNC Male Connector Crimp/Solder Attachment for RG59B/U, RG62 from Pasternack Enterprises has same day shipment for domestic and International orders. Our RF, microwave and millimeter wave products maintain a 99.4% availability and are part of the broadest selection in the industry.

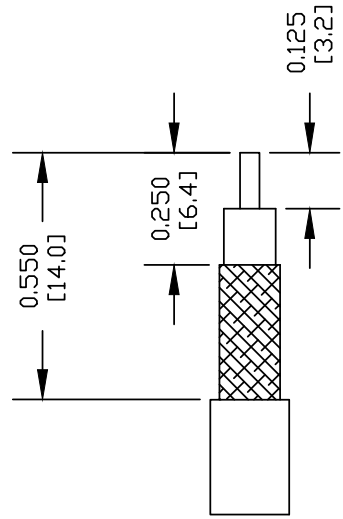
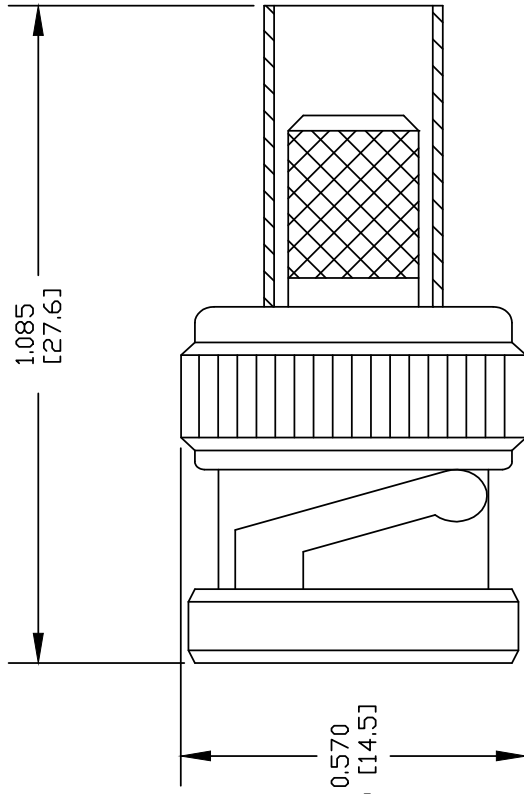
Click the following link (or enter part number in "SEARCH" on website) to obtain additional part information including price, inventory and certifications: [RP-BNC Male Connector Crimp/Solder Attachment for RG59B/U, RG62 PE4718](#)

URL: <https://www.pasternack.com/bnc-male-reverse-polarity-rg59b-u-rg62-connector-pe4718-p.aspx>

The information contained within this document is accurate to the best of our knowledge and representative of the part described herein. It may be necessary to make modifications to the part and/or the documentation of the part in order to impliment improvements. Pasternack Enterprises reserves the right to make such changes as required. Unless otherwise stated, all specifications are nominal. Pasternack Enterprises does not make any representation or warranty regarding the suitability of the part described herein for any particular purpose, and Pasternack Enterprises does not assume liability arising out of the use of any part or document.

# PE4718 CAD Drawing

RP-BNC Male Connector Crimp/Solder Attachment for RG59B/U, RG62



STRIPPING DIMENSIONS

CRIMP SIZE REQUIRED

CONTACT: .068" HEX CRIMP TOOL  
 FERRULE: .255" HEX CRIMP TOOL

DWG TITLE

**PE4718**

FSCM NO. 53919

NOTES:  
 1. UNLESS OTHERWISE SPECIFIED ALL DIMENSIONS ARE NOMINAL.  
 2. ALL SPECIFICATIONS ARE SUBJECT TO CHANGE WITHOUT NOTICE AT ANY TIME.  
 3. DIMENSIONS ARE IN INCHES [mm].  
 4. FITS MIL-C-17 AND EQUIVALENT CABLES.

CAD FILE 060402

SCALE N/A

SIZE A

XXXX



Pasternack Enterprises, Inc.  
 P.O. Box 16759 | Irvine | CA | 92623  
 Phone: (949) 261-1920 | Fax: (949) 261-7451  
 Website: www.pasternack.com | E-Mail: sales@pasternack.com