



## 75 Ohm BNC Female Bulkhead Mount Isolated Ground Connector Solder Attachment Solder Cup Terminal, .480 inch D Hole

### RF Connectors Technical Data Sheet

PE4629

#### Configuration

- BNC Female Connector
- 75 Ohms
- Straight Body Geometry
- Solder Cup Interface Type
- Solder Attachment
- Bulkhead

#### Features

- Max. Operating Frequency 1,000 MHz
- Good VSWR of 1.3:1
- Gold Plated Brass Contact
- Isolated Ground
- 30 µin minimum contact plating

#### Applications

- General Purpose Test
- Rack and Panel Mount Applications

#### Description

Pasternack's PE4629 75 ohm BNC female bulkhead mount isolated ground connector solder attachment solder cup terminal, .480 inch D hole is part of our full line of RF components available for same-day shipping. Our BNC female connector operates up to a maximum frequency of 1,000 MHz and offers good VSWR of 1.3:1. This BNC bulkhead connector allows designers to create external connections on their product enclosures, and can be used in a variety of other rack mount and panel mount applications.

Our 75 ohm BNC female bulkhead connector PE4629 datasheet specifications and drawing with dimensions are shown below in this PDF. Pasternack's broad catalog of RF, microwave and millimeter wave connectors allows designers to configure and customize their signal connections however they like. Whether the need is to provide an I/O for a board design, or simply create a custom cable assembly configuration, Pasternack has the right connector for the job. Pasternack can also expertly build your custom cable connector assemblies for you and ship same-day.

#### Electrical Specifications

Description	Minimum	Typical	Maximum	Units
Frequency Range	DC		1,000	MHz
VSWR			1.3:1	
Operating Voltage (AC)			500	Vrms

#### Mechanical Specifications

##### Size

Length	1.07 in [27.18 mm]
Width/Dia.	0.63 in [16.00 mm]
Weight	0.029 lbs [13.15 g]

Click the following link (or enter part number in "SEARCH" on website) to obtain additional part information including price, inventory and certifications: [75 Ohm BNC Female Bulkhead Mount Isolated Ground Connector Solder Attachment Solder Cup Terminal, .480 inch D Hole PE4629](#)



## 75 Ohm BNC Female Bulkhead Mount Isolated Ground Connector Solder Attachment Solder Cup Terminal, .480 inch D Hole

### RF Connectors Technical Data Sheet

PE4629

#### Material Specifications

Description	Material	Plating
Contact	Brass	Gold 30 µin minimum
Insulation	PTFE	
Body	Brass	Nickel 100 µin minimum

#### Environmental Specifications

##### Temperature

Operating Range -65 to +165 deg C

**Compliance Certifications** (see [product page](#) for current document)

#### Plotted and Other Data

Notes:

75 Ohm BNC Female Bulkhead Mount Isolated Ground Connector Solder Attachment Solder Cup Terminal, .480 inch D Hole from Pasternack Enterprises has same day shipment for domestic and International orders. Our RF, microwave and millimeter wave products maintain a 99% availability and are part of the broadest selection in the industry.

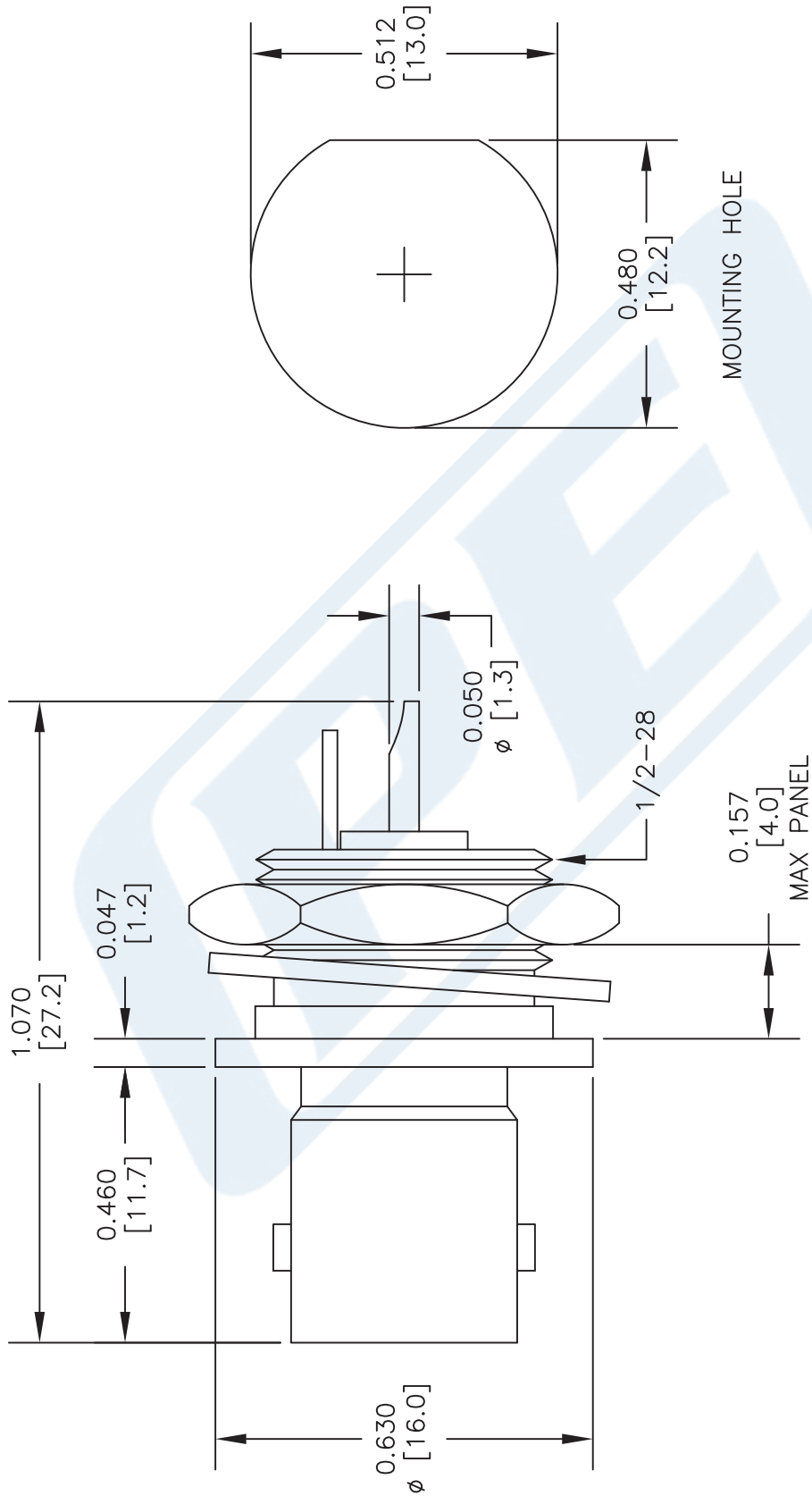
Click the following link (or enter part number in "SEARCH" on website) to obtain additional part information including price, inventory and certifications: [75 Ohm BNC Female Bulkhead Mount Isolated Ground Connector Solder Attachment Solder Cup Terminal, .480 inch D Hole PE4629](#)

URL: <https://www.pasternack.com/bnc-female-standard-solder-cup-terminal-connector-pe4629-p.aspx>

The information contained in this document is accurate to the best of our knowledge and representative of the part described herein. It may be necessary to make modifications to the part and/or the documentation of the part, in order to implement improvements. Pasternack reserves the right to make such changes as required. Unless otherwise stated, all specifications are nominal. Pasternack does not make any representation or warranty regarding the suitability of the part described herein for any particular purpose, and Pasternack does not assume any liability arising out of the use of any part or documentation.

# PE4629 CAD Drawing

75 Ohm BNC Female Bulkhead Mount Isolated Ground Connector  
Solder Attachment Solder Cup Terminal, .480 inch D Hole



DWG TITLE

**PE4629**

FSCM NO. 53919

NOTES:  
1. UNLESS OTHERWISE SPECIFIED ALL DIMENSIONS ARE NOMINAL.  
2. ALL SPECIFICATIONS ARE SUBJECT TO CHANGE WITHOUT NOTICE AT ANY TIME.  
3. DIMENSIONS ARE IN INCHES [mm].  
4. FITS MIL-C-17 AND EQUIVALENT CABLES.

CAD FILE 101812-B

SCALE N/A

SIZE A

2233



Pasternack Enterprises, Inc.  
P.O. Box 16759 | Irvine | CA | 92623  
Phone: (949) 261-1920 | Fax: (949) 261-7451  
Website: www.pasternack.com | E-Mail: sales@pasternack.com