



75 Ohm BNC Female Bulkhead Mount Hermetically Sealed Connector Solder Attachment Turret Terminal, .350 inch D Hole

RF Connectors Technical Data Sheet

PE4624

Configuration

- BNC Female Connector
- MIL-STD-348
- 75 Ohms
- Straight Body Geometry
- Turret Interface Type
- Solder Attachment
- Bulkhead

Features

- Silver Plated Contact
- Hermetically Sealed
- Contact plating according to QQ-S-365

Applications

- General Purpose Test
- Rack and Panel Mount Applications

Description

Pasternack's PE4624 75 ohm BNC female bulkhead mount hermetically sealed connector solder attachment turret terminal, .350 inch D hole is part of our full line of RF components available for same-day shipping. This BNC bulkhead connector allows designers to create external connections on their product enclosures, and can be used in a variety of other rack mount and panel mount applications.

Our 75 ohm BNC female bulkhead connector PE4624 datasheet specifications and drawing with dimensions are shown below in this PDF. Pasternack's broad catalog of RF, microwave and millimeter wave connectors allows designers to configure and customize their signal connections however they like. Whether the need is to provide an I/O for a board design, or simply create a custom cable assembly configuration, Pasternack has the right connector for the job. Pasternack can also expertly build your custom cable connector assemblies for you and ship same-day.

Mechanical Specifications

Size

Length	1.21 in [30.73 mm]
Width/Dia.	0.595 in [15.11 mm]
Weight	0.022 lbs [9.98 g]

Material Specifications

Description	Material	Plating
Contact		Silver QQ-S-365
Insulation	PTFE	
Body	Brass	Nickel QQ-N-290

Click the following link (or enter part number in "SEARCH" on website) to obtain additional part information including price, inventory and certifications: [75 Ohm BNC Female Bulkhead Mount Hermetically Sealed Connector Solder Attachment Turret Terminal, .350 inch D Hole PE4624](#)



75 Ohm BNC Female Bulkhead Mount Hermetically Sealed Connector Solder Attachment Turret Terminal, .350 inch D Hole

RF Connectors Technical Data Sheet

PE4624

Compliance Certifications (see [product page](#) for current document)

Plotted and Other Data

Notes:

75 Ohm BNC Female Bulkhead Mount Hermetically Sealed Connector Solder Attachment Turret Terminal, .350 inch D Hole from Pasternack Enterprises has same day shipment for domestic and International orders. Our RF, microwave and millimeter wave products maintain a 99% availability and are part of the broadest selection in the industry.

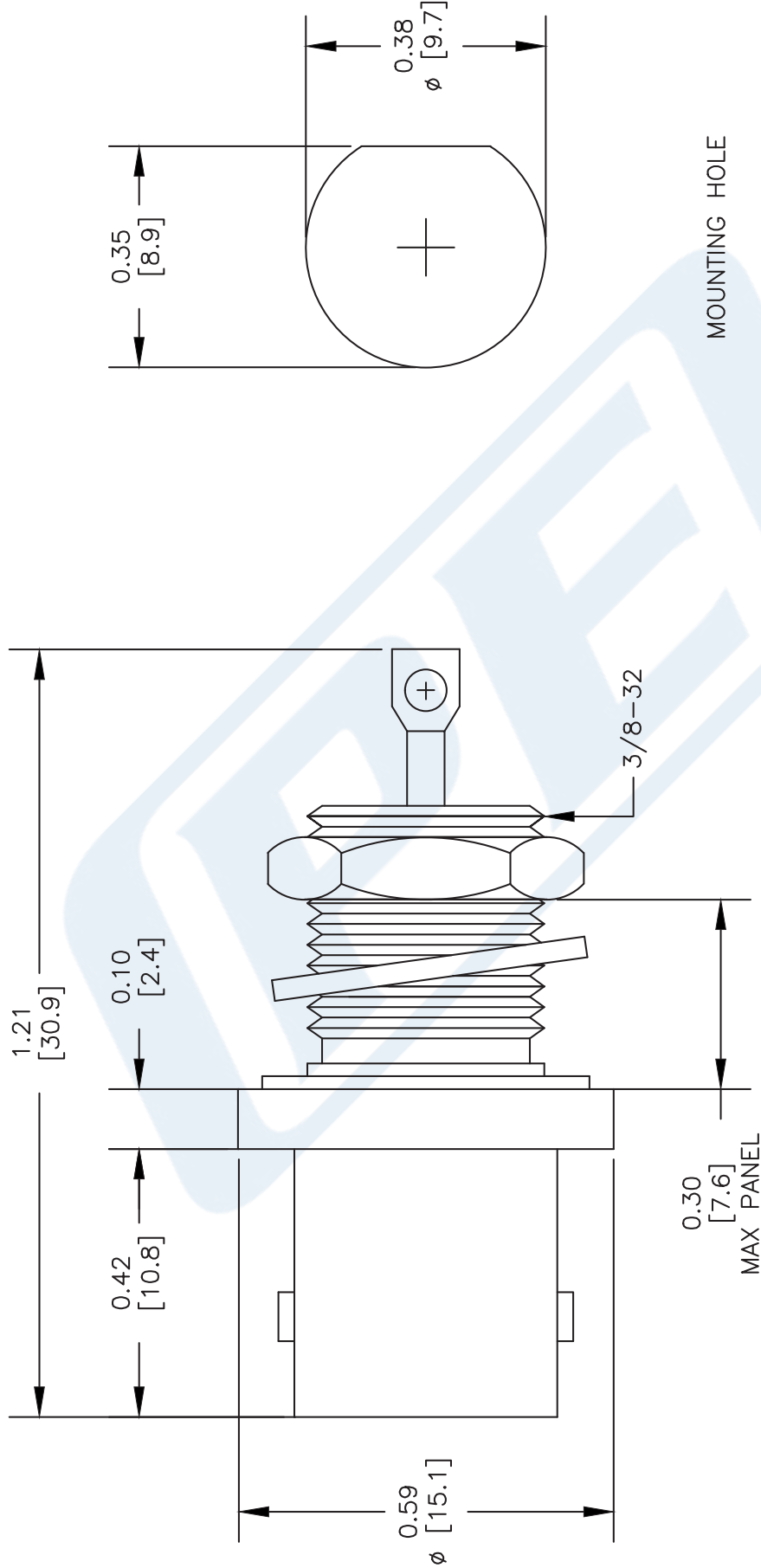
Click the following link (or enter part number in "SEARCH" on website) to obtain additional part information including price, inventory and certifications: [75 Ohm BNC Female Bulkhead Mount Hermetically Sealed Connector Solder Attachment Turret Terminal, .350 inch D Hole PE4624](#)

URL: <https://www.pasternack.com/bnc-female-standard-turret-terminal-connector-pe4624-p.aspx>

The information contained in this document is accurate to the best of our knowledge and representative of the part described herein. It may be necessary to make modifications to the part and/or the documentation of the part, in order to implement improvements. Pasternack reserves the right to make such changes as required. Unless otherwise stated, all specifications are nominal. Pasternack does not make any representation or warranty regarding the suitability of the part described herein for any particular purpose, and Pasternack does not assume any liability arising out of the use of any part or documentation.

PE4624 CAD Drawing

75 Ohm BNC Female Bulkhead Mount Hermetically Sealed Connector
Solder Attachment Turret Terminal, .350 inch D Hole



DWG TITLE

PE4624

FSCM NO. 53919

NOTES:
1. UNLESS OTHERWISE SPECIFIED ALL DIMENSIONS ARE NOMINAL.
2. ALL SPECIFICATIONS ARE SUBJECT TO CHANGE WITHOUT NOTICE AT ANY TIME.
3. DIMENSIONS ARE IN INCHES [mm].
4. FITS MIL-C-17 AND EQUIVALENT CABLES.

CAD FILE 052902

SCALE N/A

SIZE A

127

PE PASTERNAK®

Pasternack Enterprises, Inc.
P.O. Box 16759 | Irvine | CA | 92623
Phone: (949) 261-1920 | Fax: (949) 261-7451
Website: www.pasternack.com | E-Mail: sales@pasternack.com