



75 Ohm BNC Female Bulkhead Hermetically Sealed Connector  
 Solder Attachment Turret Terminal, .480 inch D Hole

TECHNICAL DATA SHEET

PE4621

**75 Ohm BNC Female Bulkhead Hermetically Sealed Connector Solder Attachment Turret Terminal, .480 inch D Hole**

**Configuration**

Connector	BNC Female
Connector Specification	MIL-C-39012
Connector Interface Type	Turret
Cable Attachment Method (Shield/Contact)	Solder
Body Style	Straight
Mount Method	Bulkhead
Isolated Ground / Hermetic	Hermetically Sealed

**Electrical Specifications**

Impedance, Ohms	75
-----------------	----

**Mechanical Specifications**

**Temperature**

Operating Range, deg C	-65 to +165
------------------------	-------------

**Size**

Length, in [mm]	1.205 [30.61]
Width/Dia., in [mm]	0.75 [19.05]
Weight, lbs [g]	0.048 [21.77]

**Connector**

Type	BNC Female
Contact Material and Plating	Silver
Contact Plating Specification	QQ-S-365
Body Material and Plating	Brass, Nickel
Dielectric Type	Teflon

**Compliance Certifications** (visit [www.Pasternack.com](http://www.Pasternack.com) for current document)

RoHS Compliant	Yes
----------------	-----

Click the following link (or enter part number in "SEARCH" on website) to obtain additional part information including price, inventory and certifications: [75 Ohm BNC Female Bulkhead Hermetically Sealed Connector Solder Attachment Turret Terminal, .480 inch D Hole PE4621](#)

The information contained in this document is accurate to the best of our knowledge and representative of the part described herein. It may be necessary to make modifications to the part and/or the documentation of the part, in order to implement improvements. Pasternack reserves the right to make such changes as required. Unless otherwise stated, all specifications are nominal.



75 Ohm BNC Female Bulkhead Hermetically Sealed Connector  
Solder Attachment Turret Terminal, .480 inch D Hole

TECHNICAL DATA SHEET

PE4621

**Plotted and Other Data**

Notes:

Values at 25 °C, sea level

75 Ohm BNC Female Bulkhead Hermetically Sealed Connector Solder Attachment Turret Terminal, .480 inch D Hole from Pasternack Enterprises has same day shipment for domestic and International orders. Our RF, microwave and fiber optic products maintain a 99% availability and are part of the broadest selection in the industry.

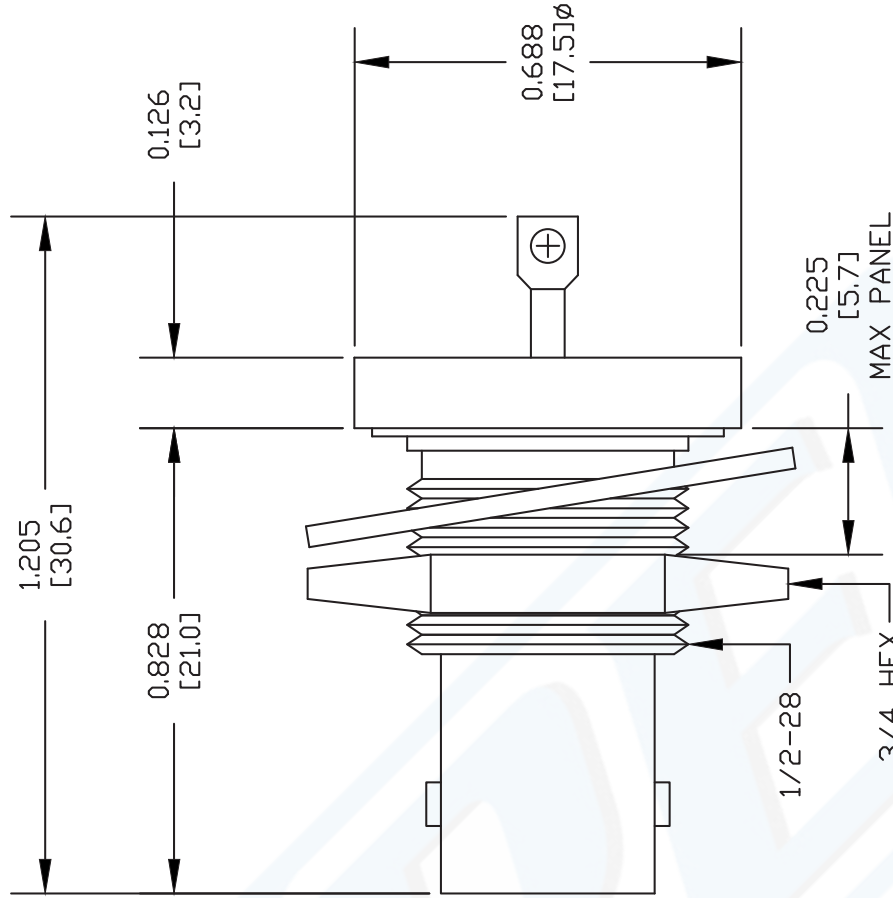
Click the following link (or enter part number in "SEARCH" on website) to obtain additional part information including price, inventory and certifications: [75 Ohm BNC Female Bulkhead Hermetically Sealed Connector Solder Attachment Turret Terminal, .480 inch D Hole PE4621](http://www.pasternack.com/bnc-female-standard-turret-terminal-connector-pe4621-p.aspx)

URL: <http://www.pasternack.com/bnc-female-standard-turret-terminal-connector-pe4621-p.aspx>

The information contained in this document is accurate to the best of our knowledge and representative of the part described herein. It may be necessary to make modifications to the part and/or the documentation of the part, in order to implement improvements. Pasternack reserves the right to make such changes as required. Unless otherwise stated, all specifications are nominal.

# PE4621 CAD Drawing

75 Ohm BNC Female Bulkhead Hermetically Sealed Connector  
Solder Attachment Turret Terminal, .480 inch D Hole



DWG TITLE

**PE4621**

FSCM NO. 53919

CAD FILE 042110-A

SCALE N/A

SIZE A

XXXX

NOTES:  
1. UNLESS OTHERWISE SPECIFIED ALL DIMENSIONS ARE NOMINAL.  
2. ALL SPECIFICATIONS ARE SUBJECT TO CHANGE WITHOUT NOTICE AT ANY TIME.  
3. DIMENSIONS ARE IN INCHES [mm].  
4. FITS MIL-C-17 AND EQUIVALENT CABLES.



**PASTERNAK**  
Pasternack Enterprises, Inc.  
P.O. Box 16759 | Irvine | CA | 92623  
Phone: (949) 261-1920 | Fax: (949) 261-7451  
Website: www.pasternack.com | E-Mail: sales@pasternack.com