



SMPS Female Connector Solder Attachment for PE-047SR,
PE-SR047FL, PE-SR047AL, PE-P047HF, PE-P047LL

RF Connectors Technical Data Sheet

PE45893

Configuration

- Push-on SMPS Female Connector
- 50 Ohms
- Straight Body Geometry

Features

- Max. Operating Frequency 40 GHz
- Good VSWR of 1.35:1
- Gold Plated Beryllium Copper Contact
- 50 μ m minimum gold contact plating

Applications

- General Purpose Test
- Custom Cable Assemblies

Description

Pasternack's PE45893, SMPS, Standard, Connector is part of our full line of RF components available for same-day shipping. Our SMPS female connector operates up to a maximum frequency of 40 GHz and offers good VSWR of 1.35:1.

Our SMPS female connector PE45893 datasheet specifications and drawing with dimensions are shown below in this PDF. Pasternack's broad catalog of RF, microwave and millimeter wave connectors allows designers to configure and customize their signal connections however they like. Whether the need is to provide an I/O for a board design, or simply create a custom cable assembly configuration, Pasternack has the right connector for the job. Pasternack can also expertly build your custom cable assemblies for you and ship same-day.

Electrical Specifications

Description	Minimum	Typical	Maximum	Units
Frequency Range	DC		40	GHz
VSWR			1.35:1	
Insertion Loss			0.63	dB
Impedance		50		Ohms

Mechanical Specifications

Size

Length	0.24 in [6.05 mm]
Width	0.10 in [2.57 mm]
Height	0.10 in [2.57 mm]
Weight	0.00 lbs [0.45 g]

Click the following link (or enter part number in "SEARCH" on website) to obtain additional part information including price, inventory and certifications: [SMPS Female Connector Solder Attachment for PE-047SR, PE-SR047FL, PE-SR047AL, PE-P047HF, PE-P047LL PE45893](#)



SMPS Female Connector Solder Attachment for PE-047SR,
PE-SR047FL, PE-SR047AL, PE-P047HF, PE-P047LL

RF Connectors Technical Data Sheet

PE45893

Material Specifications

Description	Material	Plating
Contact	Beryllium Copper	Gold 50 µin minimum gold
Insulation	PTFE	
Outer Conductor	Beryllium Copper	Gold 50 µin minimum
Body	Beryllium Copper	Gold 30 µin minimum

Environmental Specifications

Temperature

Operating Range

-55 to +165 deg C

Humidity

MIL-STD-202, Method 106, Less Step 7B

Shock

MIL-STD-202, Method 213, Condition I

Vibration

MIL-STD-202, Method 204, Condition D

Thermal Shock

MIL-STD-202, Method 107, Condition B

Compliance Certifications (see [product page](#) for current document)

Plotted and Other Data

Notes:

SMPS Female Connector Solder Attachment for PE-047SR, PE-SR047FL, PE-SR047AL, PE-P047HF, PE-P047LL from Pasternack Enterprises has same day shipment for domestic and International orders. Our RF, microwave and millimeter wave products maintain a 99.4% availability and are part of the broadest selection in the industry.

Click the following link (or enter part number in "SEARCH" on website) to obtain additional part information including price, inventory and certifications: [SMPS Female Connector Solder Attachment for PE-047SR, PE-SR047FL, PE-SR047AL, PE-P047HF, PE-P047LL PE45893](#)

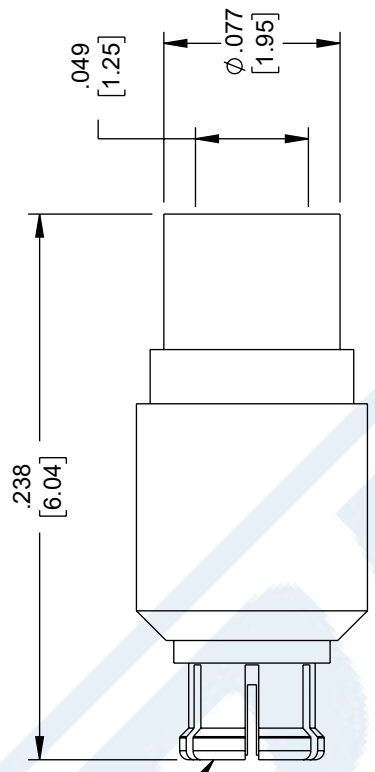
URL: <https://www.pasternack.com/smps-female-push-on-connector-pe45893-p.aspx>

The information contained in this document is accurate to the best of our knowledge and representative of the part described herein. It may be necessary to make modifications to the part and/or the documentation of the part, in order to implement improvements. Pasternack reserves the right to make such changes as required. Unless otherwise stated, all specifications are nominal. Pasternack does not make any representation or warranty regarding the suitability of the part described herein for any particular purpose, and Pasternack does not assume any liability arising out of the use of any part or documentation.

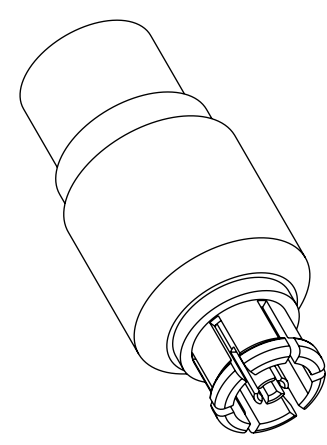
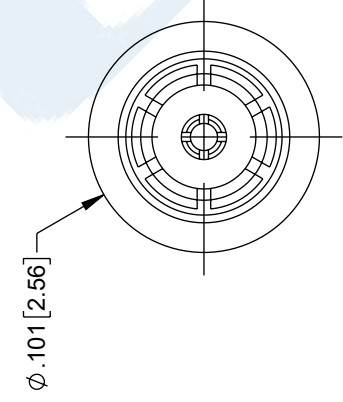
PE45893 CAD Drawing

SMPS Female Connector Solder Attachment for PE-047SR, PE-SR047FL, PE-SR047AL, PE-P047HF, PE-P047LL

ZONE	REV	DESCRIPTION	DATE	CHANGED BY	APPROVED
A		INITIAL RELEASE	5/23/2023	KDANG	AGANWANI



SMPS FEMALE



 PASTERNAK [®] an INFINITI [®] brand	 INTERPRET ALL DIMENSIONS AND TOLERANCES PER ASME Y14.5 SCALE: NONE SHEET: 1 OF 1
	Website: www.Pasternack.com Phone: 1.866.727.8376 1.949.261.1920
DESCRIPTION: SMPS Female for 047 Cable Solder	
SIZE: A CAGE CODE: 53919 DRAWN BY: KDANG	ITEM NO.: PE45893 REV: A

UNLESS OTHERWISE SPECIFIED LEADING DIMENSIONS ARE INCHES DIMENSIONS IN [] ARE MILLIMETERS

TOLERANCES:

.X = ± .2	[.5]	FRACTIONS
.XX = ± .02	[.13]	± 1/32
.XXX = ± .005	[.13]	ANGLES ± 1°

CABLE LENGTH TOLERANCES:

≤ 12 [305]	± .125 / -0
> 12 [305] ≤ 60 [1524]	± .25 / -0
> 60 [1524] ≤ 120 [3048]	± .5 / -0
> 120 [3048] ≤ 300 [7620]	± 1.0 / -0
> 300 [7620]	± 2.0 / -0

ALL DIMENSIONS ARE FOR REFERENCE ONLY AND SUBJECT TO CHANGE WITHOUT NOTICE

THE INFORMATION CONTAINED IN THIS DRAWING IS THE SOLE PROPERTY OF INFINITE ELECTRONICS, INC. ANY REPRODUCTION IN PART OR WHOLE WITHOUT THE WRITTEN PERMISSION OF INFINITE ELECTRONICS, INC. IS PROHIBITED. THESE COMMODITIES, TECHNOLOGY OR SOFTWARE WERE EXPORTED FROM THE UNITED STATES IN ACCORDANCE WITH THE EXPORT ADMINISTRATION REGULATIONS. DIVERSION CONTRARY TO U.S. LAW PROHIBITED.