



SMP Male Non-Magnetic Right-Angle PCB Mount for RG179, RG316

RF Connectors Technical Data Sheet

PE45883

Configuration

- SMP Male Connector
- 50 Ohms
- Right Angle Body Geometry
- Connector Interface Types: RG179, RG316
- PCB
- Non-Magnetic Design

Features

- Max. Operating Frequency 3 GHz
- Gold over Copper Plated Bronze Contact
- Blind Mate Connector
- Magnetic Susceptibility 10^{-5}

Applications

- General Purpose Test
- Custom Cable Assemblies
- Medical
- Military and Aerospace
- Quantum Computing

Description

Pasternack's PE45883 Right Angle, SMP, Non-Magnetic, Connector is part of our full line of RF components available for same-day shipping. Our SMP male connector operates up to a maximum frequency of 3 GHz. The Pasternack blind mate connector is ideal for applications where direct visual or tactile access to the connection point is not possible, for example, when two circuit boards need to be mated. Its right angle body geometry allows for easier connections in tight spaces. Pasternack's Non Magnetic connectors are manufactured with materials that are especially adapted to non magnetism. Our non-magnetic connectors have a susceptibility of around 10^{-5} , as opposed to 10^{-2} for standard connectors made of brass/nickel materials. As a result, our non-magnetic connectors are transparent to the magnetic field, which means no field distortion and a higher Signal-to-Noise Ratio (SNR).

Our SMP male right angle pcb connector PE45883 datasheet specifications and drawing with dimensions are shown below in this PDF. Pasternack's broad catalog of RF, microwave and millimeter wave connectors allows designers to configure and customize their signal connections however they like. Whether the need is to provide an I/O for a board design, or simply create a custom cable assembly configuration, Pasternack has the right connector for the job. Pasternack can also expertly build your custom cable assemblies for you and ship same-day.

Electrical Specifications

Description	Minimum	Typical	Maximum	Units
Frequency Range	DC		3	GHz
Operating Voltage (AC)			335	Vrms
Impedance		50		Ohms
Dielectric Withstanding Voltage (AC)			1,000	Vrms
Insulation Resistance	1,000			MOhms

Mechanical Specifications

Size

Length	0.43 in [10.90 mm]
Width	0.21 in [5.26 mm]

Click the following link (or enter part number in "SEARCH" on website) to obtain additional part information including price, inventory and certifications: [SMP Male Non-Magnetic Right-Angle PCB Mount for RG179, RG316 PE45883](#)



SMP Male Non-Magnetic Right-Angle
PCB Mount for RG179, RG316

RF Connectors
Technical Data Sheet

PE45883

Height	0.21 in [5.26 mm]
Weight	0.00 lbs [0.25 g]
Mating Cycles	500 Cycles

Material Specifications

Description	Material	Plating
Contact	Bronze	Gold over Copper
Body	Bronze	Gold over Copper

Environmental Specifications

Temperature

Operating Range -55 to +155 deg C

Compliance Certifications (see [product page](#) for current document)

Plotted and Other Data

Notes:

Click the following link (or enter part number in "SEARCH" on website) to obtain additional part information including price, inventory and certifications: [SMP Male Non-Magnetic Right-Angle PCB Mount for RG179, RG316 PE45883](#)



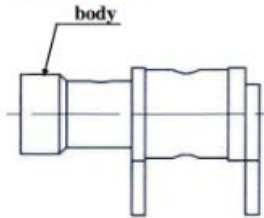
SMP Male Non-Magnetic Right-Angle
PCB Mount for RG179, RG316

RF Connectors
Technical Data Sheet

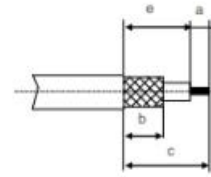
PE45883

Assembly Instruction

COMPOSANTS



STRIPPING DIMENSIONS

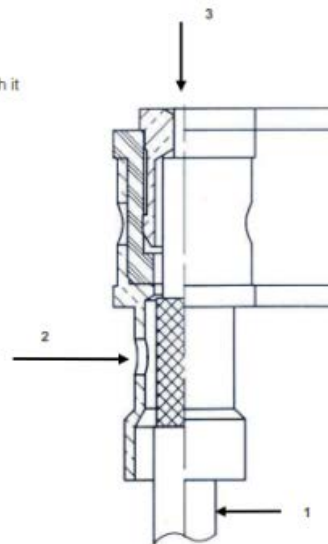


1

Strip the cable

2

Introduce cable into the connector body until contact with it
Solder braid
Solder cable core



Click the following link (or enter part number in "SEARCH" on website) to obtain additional part information including price, inventory and certifications: [SMP Male Non-Magnetic Right-Angle PCB Mount for RG179, RG316 PE45883](#)



SMP Male Non-Magnetic Right-Angle
PCB Mount for RG179, RG316

RF Connectors
Technical Data Sheet

PE45883

SMP Male Non-Magnetic Right-Angle PCB Mount for RG179, RG316 from Pasternack Enterprises has same day shipment for domestic and International orders. Our RF, microwave and millimeter wave products maintain a 99.4% availability and are part of the broadest selection in the industry.

Click the following link (or enter part number in "SEARCH" on website) to obtain additional part information including price, inventory and certifications: [SMP Male Non-Magnetic Right-Angle PCB Mount for RG179, RG316 PE45883](https://www.pasternack.com/cable-crimp-receptacle-rg179-rg316-connector-pe45883-p.aspx)

URL: <https://www.pasternack.com/cable-crimp-receptacle-rg179-rg316-connector-pe45883-p.aspx>

The information contained in this document is accurate to the best of our knowledge and representative of the part described herein. It may be necessary to make modifications to the part and/or the documentation of the part, in order to implement improvements. Pasternack reserves the right to make such changes as required. Unless otherwise stated, all specifications are nominal. Pasternack does not make any representation or warranty regarding the suitability of the part described herein for any particular purpose, and Pasternack does not assume any liability arising out of the use of any part or documentation.

PE45883 CAD Drawing

SMP Male Non-Magnetic Right-Angle PCB Mount for RG179, RG316

