



BNC Plug Right Angle Non-Magnetic Connector Crimp/Solder Attachment for RG58, RG141

RF Connectors Technical Data Sheet

PE45877

Configuration

- BNC Plug Connector
- 50 Ohms
- Right Angle Body Geometry
- Connector Interface Types: RG58, RG141
- Non-Magnetic Design

Features

- Max. Operating Frequency 4 GHz
- Good VSWR of 1.3:1
- Gold over Copper Plated Bronze Contact
- Magnetic Susceptibility 10^{-5}

Applications

- General Purpose Test
- Custom Cable Assemblies
- Medical
- Military and Aerospace
- Quantum Computing

Description

Pasternack's PE45877 Right Angle, BNC, Non-Magnetic, Connector is part of our full line of RF components available for same-day shipping. Our BNC plug connector operates up to a maximum frequency of 4 GHz and offers good VSWR of 1.3:1. Its right angle body geometry allows for easier connections in tight spaces. Pasternack's Non Magnetic connectors are manufactured with materials that are especially adapted to non magnetism. Our non-magnetic connectors have a susceptibility of around 10^{-5} , as opposed to 10^{-2} for standard connectors made of brass/nickel materials. As a result, our non-magnetic connectors are transparent to the magnetic field, which means no field distortion and a higher Signal-to-Noise Ratio (SNR).

Our BNC plug right angle connector PE45877 datasheet specifications and drawing with dimensions are shown below in this PDF. Pasternack's broad catalog of RF, microwave and millimeter wave connectors allows designers to configure and customize their signal connections however they like. Whether the need is to provide an I/O for a board design, or simply create a custom cable assembly configuration, Pasternack has the right connector for the job. Pasternack can also expertly build your custom cable assemblies for you and ship same-day.

Electrical Specifications

Description	Minimum	Typical	Maximum	Units
Frequency Range	DC		4	GHz
VSWR			1.3:1	
Insertion Loss			0.2	dB
Operating Voltage (AC)			500	Vrms
Impedance		50		Ohms
Dielectric Withstanding Voltage (AC)			1,000	Vrms
Insulation Resistance	1,000			MOhms
RF Leakage	60			dB

Mechanical Specifications

Size

Length

0.43 in [10.90 mm]

Click the following link (or enter part number in "SEARCH" on website) to obtain additional part information including price, inventory and certifications: [BNC Plug Right Angle Non-Magnetic Connector Crimp/Solder Attachment for RG58, RG141 PE45877](#)



BNC Plug Right Angle Non-Magnetic Connector
Crimp/Solder Attachment for RG58, RG141

RF Connectors
Technical Data Sheet

PE45877

Width	0.21 in [5.26 mm]
Height	0.21 in [5.26 mm]
Weight	0.01 lbs [2.95 g]
Mating Cycles	500 Cycles

Material Specifications

Description	Material	Plating
Contact	Bronze	Gold over Copper
Body	Bronze	Copper-Tin-Zinc Alloy

Environmental Specifications

Temperature

Operating Range -65 to +165 deg C

Compliance Certifications (see [product page](#) for current document)

Plotted and Other Data

Notes:

Click the following link (or enter part number in "SEARCH" on website) to obtain additional part information including price, inventory and certifications: [BNC Plug Right Angle Non-Magnetic Connector Crimp/Solder Attachment for RG58, RG141 PE45877](#)

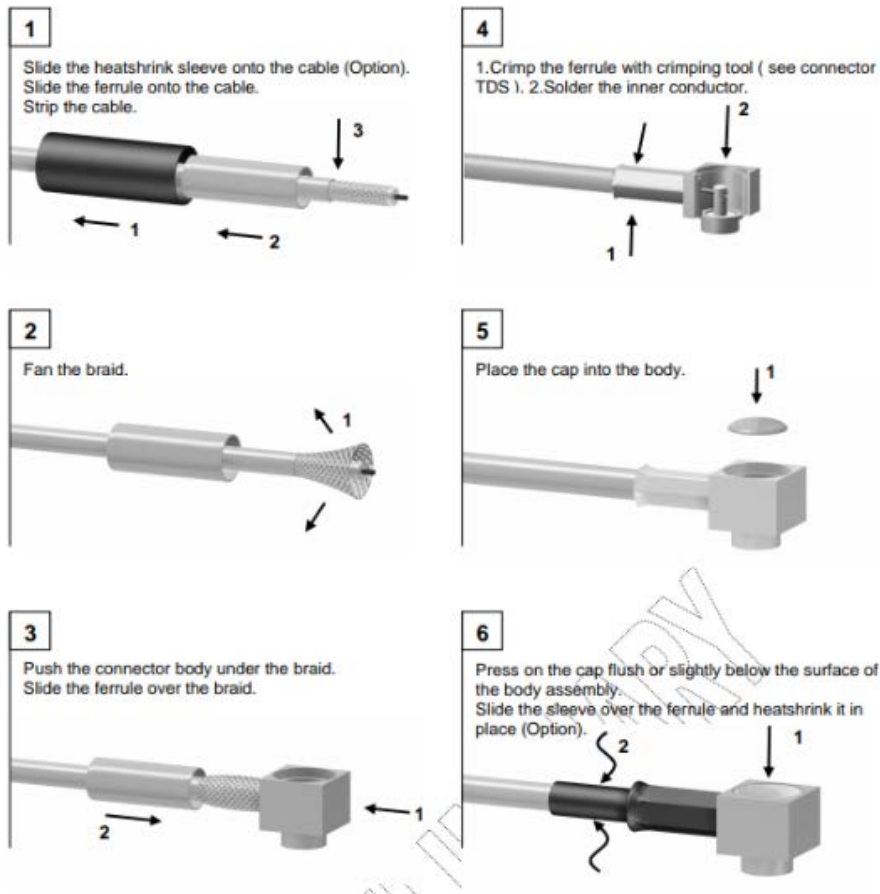
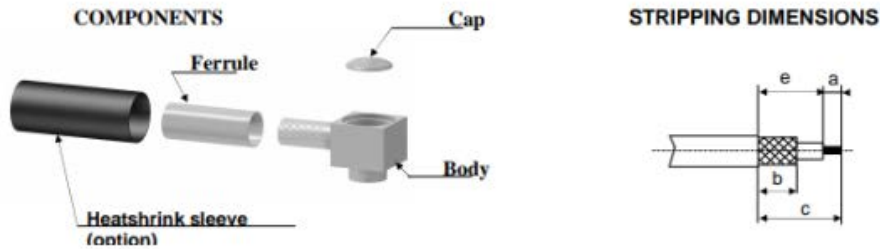


BNC Plug Right Angle Non-Magnetic Connector
Crimp/Solder Attachment for RG58, RG141

RF Connectors
Technical Data Sheet

PE45877

Assembly Instruction



Click the following link (or enter part number in "SEARCH" on website) to obtain additional part information including price, inventory and certifications: [BNC Plug Right Angle Non-Magnetic Connector Crimp/Solder Attachment for RG58, RG141 PE45877](#)



BNC Plug Right Angle Non-Magnetic Connector Crimp/Solder Attachment for RG58, RG141

RF Connectors Technical Data Sheet

PE45877

BNC Plug Right Angle Non-Magnetic Connector Crimp/Solder Attachment for RG58, RG141 from Pasternack Enterprises has same day shipment for domestic and International orders. Our RF, microwave and millimeter wave products maintain a 99.4% availability and are part of the broadest selection in the industry.

Click the following link (or enter part number in "SEARCH" on website) to obtain additional part information including price, inventory and certifications: [BNC Plug Right Angle Non-Magnetic Connector Crimp/Solder Attachment for RG58, RG141 PE45877](https://www.pasternack.com/bnc-plug-right-angle-non-magnetic-connector-crimp-solder-attachment-for-rg58-rg141-pe45877)

URL: <https://www.pasternack.com/bnc-plug-rg58-rg141-connector-pe45877-p.aspx>

The information contained in this document is accurate to the best of our knowledge and representative of the part described herein. It may be necessary to make modifications to the part and/or the documentation of the part, in order to implement improvements. Pasternack reserves the right to make such changes as required. Unless otherwise stated, all specifications are nominal. Pasternack does not make any representation or warranty regarding the suitability of the part described herein for any particular purpose, and Pasternack does not assume any liability arising out of the use of any part or documentation.

PE45877 CAD Drawing

BNC Plug Right Angle Non-Magnetic Connector Crimp/ Solder Attachment for RG58, RG141

