



20KV Female Bulkhead Mount Hermetically Sealed Connector Solder Attachment 0.425 inch Pin Terminal

RF Connectors Technical Data Sheet

PE45845

Configuration

- 20KV Female Connector
- MIL-STD-202
- Straight Body Geometry
- Connector Interface Types: Pin
- Bulkhead

Features

- Gold over nickel over copper Plated Brass Contact
- Hermetically Sealed
- High Density PE Insulator

Applications

- General Purpose Test
- Rack and Panel Mount Applications
- High Voltage Pulsed RF Transmission

Description

Pasternack's PE45845 20kV high voltage coaxial connector is part of our series of High Voltage coaxial interconnects. This high voltage connector minimizes the risk of electric shock due to its recessed contact design. Both cable connectors and bulkhead receptacles have recessed contacts to withstand unmated high voltage ratings. Additionally, the front mount receptacles in this family of connectors are hermetically sealed. Our 20 kV connectors operate up to maximum frequency of 300 MHz and offers good insulation resistance of 1000MOhm. These connectors allow designers to create external connections on product enclosures in a variety of high voltage transmission applications.

Our 20kV coaxial connector PE45845 has datasheet specifications and drawing with dimensions are shown below in this PDF. Pasternack's broad catalog of RF, microwave and millimeter wave connectors allows designers to configure and customize their signal connections however they like. Whether the need is to provide an I/O for a board design, or simply create a custom cable assembly configuration, Pasternack has the right connector for the job. Pasternack can also expertly build your custom cable assemblies for you and ship same-day.

Electrical Specifications

Description	Minimum	Typical	Maximum	Units
Operating Voltage (DC)			20,000	Vdc
Test Voltage (DC)			30,000	Vdc
Inner Conductor DC Resistance			3	mOhms
Outer Conductor DC Resistance			2	mOhms
Insulation Resistance	1,000			MOhms

Mechanical Specifications

Size

Length	3.89 in [98.81 mm]
Width/Dia.	0.93 in [23.62 mm]
Height	0.93 in [23.62 mm]

Click the following link (or enter part number in "SEARCH" on website) to obtain additional part information including price, inventory and certifications: [20KV Female Bulkhead Mount Hermetically Sealed Connector Solder Attachment 0.425 inch Pin Terminal PE45845](#)



20KV Female Bulkhead Mount Hermetically Sealed Connector Solder Attachment 0.425 inch Pin Terminal

RF Connectors Technical Data Sheet

PE45845

Weight 0.0382 lbs [17.33 g]

Material Specifications

Description	Material	Plating
Contact	Brass	Gold over nickel over copper
Insulation	PE (HD)	
Body	Brass	Nickel Over Copper
Coupling Nut	Brass	Tinned Copper
Gasket	Silicone	
Washer	Brass	Tinned Copper

Environmental Specifications

Temperature

Operating Range

-55 to +85 deg C

Salt Spray

MIL-STD-202, Method 101, Condiiton B

Compliance Certifications (see [product page](#) for current document)

Plotted and Other Data

Notes:

20KV Female Bulkhead Mount Hermetically Sealed Connector Solder Attachment 0.425 inch Pin Terminal from Pasternack Enterprises has same day shipment for domestic and International orders. Our RF, microwave and millimeter wave products maintain a 99.4% availability and are part of the broadest selection in the industry.

Click the following link (or enter part number in "SEARCH" on website) to obtain additional part information including price, inventory and certifications: [20KV Female Bulkhead Mount Hermetically Sealed Connector Solder Attachment 0.425 inch Pin Terminal PE45845](#)

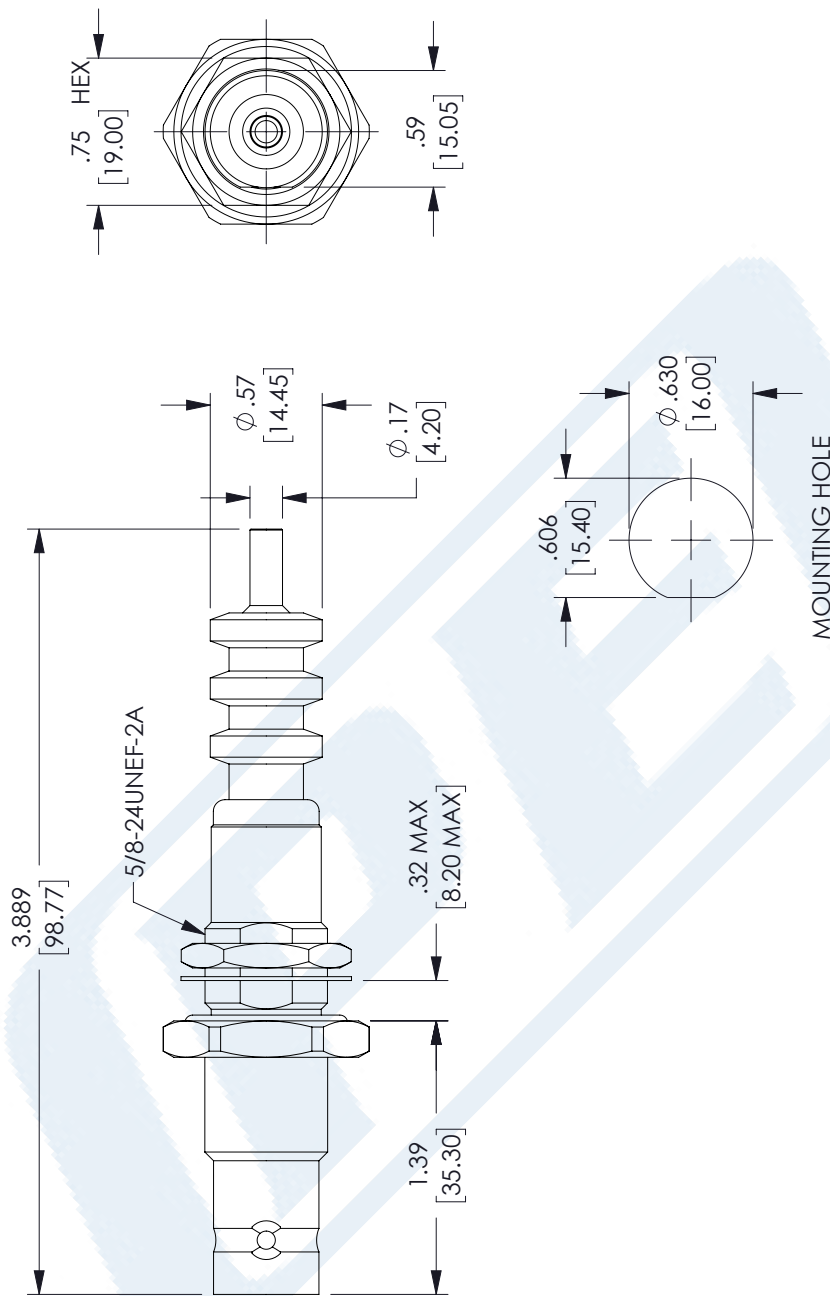
URL: <https://www.pasternack.com/20kv-female-pin-terminal-connector-pe45845-p.aspx>

The information contained in this document is accurate to the best of our knowledge and representative of the part described herein. It may be necessary to make modifications to the part and/or the documentation of the part, in order to implement improvements. Pasternack reserves the right to make such changes as required. Unless otherwise stated, all specifications are nominal. Pasternack does not make any representation or warranty regarding the suitability of the part described herein for any particular purpose, and Pasternack does not assume any liability arising out of the use of any part or documentation.

PE45845 CAD Drawing

20KV Female Bulkhead Mount Hermetically Sealed Connector
Solder Attachment 0.425 inch Pin Terminal

REVISIONS		
REV.	DESCRIPTION	DATE
A	INITIAL RELEASE	9/21/2022
		APPROVED
		VJIWATODE



UNLESS OTHERWISE SPECIFIED LEADING DIMENSIONS ARE INCHES DIMENSIONS IN [] ARE MILLIMETERS

TOLERANCES:
 .X = ±.2 [5.08] FRACTIONS
 .XX = ±.02 [.51] ±.1/32
 .XXX = ±.005 [.13] ANGLES ± 1°
 CABLE LENGTH (L) TOLERANCES:
 L ≤ 12 [305] = +1 [25] / -0
 12 [305] < L ≤ 60 [1524] = +2 [51] / -0
 60 [1524] < L ≤ 120 [3048] = +4 [102] / -0
 120 [3048] < L ≤ 300 [7620] = +6 [152] / -0
 300 [7620] < L = +5%L / -0

ALL DIMENSIONS SHOWN ARE FOR REFERENCE ONLY.

THIRD-ANGLE PROJECTION

THE INFORMATION AND DESIGN IN THIS DOCUMENT IS THE PROPERTY OF PASTERNAK CORPORATION ALL RIGHTS RESERVED.

SHEET 1 OF 1
SCALE N/A

PE PASTERNAK
an INFINITE brand

Pasternack Enterprises, Inc.
P. O. Box 16759, Irvine, CA 92623.
Phone: 1.949.261.1920 | 1.866.727.8376
Fax: 1.949.261.7451
Website: www.pasternack.com
E-mail: sales@pasternack.com

ITEM NO. PE45845
CAGE CODE DMAY
DRAWN BY 53919

REV A

NOTES:
1. HERMETICITY OF 1x10⁻⁶ cc/sec.

THESE COMMODITIES, TECHNOLOGY OR SOFTWARE WERE EXPORTED FROM THE UNITED STATES IN ACCORDANCE WITH THE EXPORT ADMINISTRATION REGULATIONS. DIVERSION CONTRARY TO U.S. LAW PROHIBITED.