



10KV Female Bulkhead Mount Hermetically Sealed Connector Solder Attachment 0.134 inch Pin Terminal

RF Connectors Technical Data Sheet

PE45838

Configuration

- 10KV Female Connector
- MIL-STD-202
- Straight Body Geometry
- Connector Interface Types: Pin
- Bulkhead

Features

- Gold over nickel over copper Plated Beryllium Copper Contact
- Hermetically Sealed
- High Density PE Insulator

Applications

- General Purpose Test
- Rack and Panel Mount Applications
- High Voltage Pulsed RF Transmission

Description

Pasternack's PE45838 10kV high voltage coaxial connector is part of our series of High Voltage coaxial interconnects. This high voltage connector minimizes the risk of electric shock due to its recessed contact design. Both cable connectors and bulkhead receptacles have recessed contacts to withstand unmated high voltage ratings. Additionally, the front mount receptacles in this family of connectors are hermetically sealed. Our 10 kV connectors operate up to maximum frequency of 300 MHz and offers good insulation resistance of 1000MΩ. These connectors allow designers to create external connections on product enclosures in a variety of high voltage transmission applications.

Our 10kV coaxial connector PE45838 datasheet specifications and drawing with dimensions are shown below in this PDF. Pasternack's broad catalog of RF, microwave and millimeter wave connectors allows designers to configure and customize their signal connections however they like. Whether the need is to provide an I/O for a board design, or simply create a custom cable assembly configuration, Pasternack has the right connector for the job. Pasternack can also expertly build your custom cable assemblies for you and ship same-day.

Electrical Specifications

Description	Minimum	Typical	Maximum	Units
Operating Voltage (DC)			10,000	Vdc
Test Voltage (DC)			15,000	Vdc
Inner Conductor DC Resistance			3	mΩ
Outer Conductor DC Resistance			2	mΩ
Insulation Resistance	1,000			MΩ

Mechanical Specifications

Size

Length	2.5 in [63.5 mm]
Width/Dia.	0.75 in [19.05 mm]
Height	0.75 in [19.05 mm]

Click the following link (or enter part number in "SEARCH" on website) to obtain additional part information including price, inventory and certifications: [10KV Female Bulkhead Mount Hermetically Sealed Connector Solder Attachment 0.134 inch Pin Terminal PE45838](#)



10KV Female Bulkhead Mount Hermetically Sealed
Connector Solder Attachment 0.134 inch Pin Terminal

RF Connectors
Technical Data Sheet

PE45838

Weight 0.016 lbs [7.26 g]

Material Specifications

Description	Material	Plating
Contact	Beryllium Copper	Gold over nickel over copper
Insulation	PE (HD)	
Body	Brass	Tinned Copper
Coupling Nut	Brass	Tinned Copper
Gasket	Silicone	
Washer	Brass	Tinned Copper

Environmental Specifications

Temperature

Operating Range
Salt Spray

-55 to +85 deg C
MIL-STD-202, Method 101, Condiiton B

Compliance Certifications (see [product page](#) for current document)

Plotted and Other Data

Notes:

10KV Female Bulkhead Mount Hermetically Sealed Connector Solder Attachment 0.134 inch Pin Terminal from Pasternack Enterprises has same day shipment for domestic and International orders. Our RF, microwave and millimeter wave products maintain a 99.4% availability and are part of the broadest selection in the industry.

Click the following link (or enter part number in "SEARCH" on website) to obtain additional part information including price, inventory and certifications: [10KV Female Bulkhead Mount Hermetically Sealed Connector Solder Attachment 0.134 inch Pin Terminal PE45838](#)

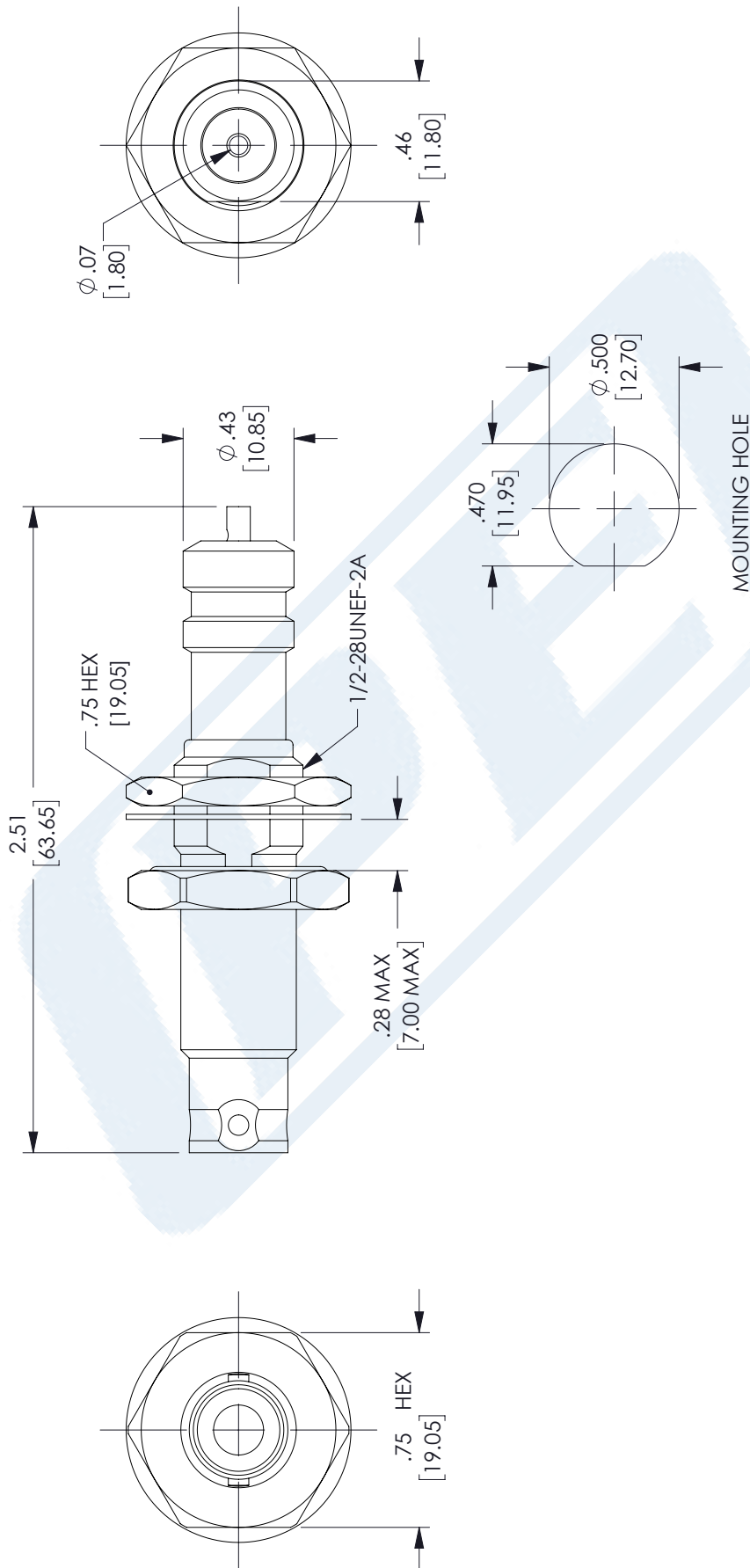
URL: <https://www.pasternack.com/10kv-female-pin-terminal-connector-pe45838-p.aspx>

The information contained in this document is accurate to the best of our knowledge and representative of the part described herein. It may be necessary to make modifications to the part and/or the documentation of the part, in order to implement improvements. Pasternack reserves the right to make such changes as required. Unless otherwise stated, all specifications are nominal. Pasternack does not make any representation or warranty regarding the suitability of the part described herein for any particular purpose, and Pasternack does not assume any liability arising out of the use of any part or documentation.

PE45838 CAD Drawing

10KV Female Bulkhead Mount Hermetically Sealed Connector
Solder Attachment 0.134 inch Pin Terminal

REVISIONS		
REV.	DESCRIPTION	DATE
A	INITIAL RELEASE	9/19/2022
		APPROVED
		VJIWATODE



NOTES:
1. HERMETICITY OF 1×10^{-6} cc/sec.

UNLESS OTHERWISE SPECIFIED LEADING DIMENSIONS ARE INCHES DIMENSIONS IN [] ARE MILLIMETERS	
TOLERANCES:	FRACTIONS
.X = ±.2	[5.08]
.XX = ±.02	[.51]
.XXX = ±.005	[.13]
ANGLES ± 1°	
CABLE LENGTH (L) TOLERANCES:	
L ≤ 12	[305] = +1 [25] / -0
12 [305] < L ≤ 60	[1524] = +2 [51] / -0
60 [1524] < L ≤ 120	[3048] = +4 [102] / -0
120 [3048] < L ≤ 300	[7620] = +6 [152] / -0
300 [7620] < L	= +5%L / -0
ALL DIMENSIONS SHOWN ARE FOR REFERENCE ONLY.	

PE PASTERNAK
an INFINITE brand

Pasternack Enterprises, Inc.
P. O. Box 16759, Irvine, CA 92623.
Phone: 1.949.261.1920 | 1.866.727.8376
Fax: 1.949.261.7451
Website: www.pasternack.com
E-mail: sales@pasternack.com

THIRD-ANGLE PROJECTION

THE INFORMATION AND DESIGN IN THIS DOCUMENT IS THE PROPERTY OF PASTERNAK CORPORATION. ALL RIGHTS RESERVED.

SHEET 1 OF 1
SCALE N/A

REV AITEM NO. PE45838

SIZE A
CAGE CODE 53919
DRAWN BY DMAY