



MHV Male Connector Crimp/Solder Attachment
for RG214, RG9, RG225, RG393

RF Connectors
Technical Data Sheet

PE45753

Configuration

- MHV Male Connector
- 50 Ohms
- Straight Body Geometry

Features

- Max. Operating Frequency 300 MHz
- Excellent VSWR of 1.2:1
- Gold over Nickel Plated Brass Contact

Applications

- General Purpose Test

Description

Pasternack's PE45753 , MHV, Standard, Connector is part of our full line of RF components available for same-day shipping. Our MHV male connector operates up to a maximum frequency of 300 MHz and offers excellent VSWR of 1.2:1.

Our MHV male connector PE45753 datasheet specifications and drawing with dimensions are shown below in this PDF. Pasternack's broad catalog of RF, microwave and millimeter wave connectors allows designers to configure and customize their signal connections however they like. Whether the need is to provide an I/O for a board design, or simply create a custom cable assembly configuration, Pasternack has the right connector for the job. Pasternack can also expertly build your custom cable assemblies for you and ship same-day.

Electrical Specifications

Description	Minimum	Typical	Maximum	Units
Frequency Range	DC		300	MHz
VSWR			1.2:1	

Mechanical Specifications

Size

Length	1.1484 in [29.17 mm]
Width/Dia.	0.571 in [14.50 mm]
Height	0.571 in [14.5 mm]
Weight	0.052 lbs [23.59 g]

Click the following link (or enter part number in "SEARCH" on website) to obtain additional part information including price, inventory and certifications: [MHV Male Connector Crimp/Solder Attachment for RG214, RG9, RG225, RG393 PE45753](#)



MHV Male Connector Crimp/Solder Attachment
for RG214, RG9, RG225, RG393

RF Connectors
Technical Data Sheet

PE45753

Material Specifications

Description	Material	Plating
Contact	Brass	Gold over Nickel
Body	Brass	Tin
Gasket	Silicone	

Environmental Specifications

Compliance Certifications (see [product page](#) for current document)

Plotted and Other Data

Notes:

MHV Male Connector Crimp/Solder Attachment for RG214, RG9, RG225, RG393 from Pasternack Enterprises has same day shipment for domestic and International orders. Our RF, microwave and millimeter wave products maintain a 99.4% availability and are part of the broadest selection in the industry.

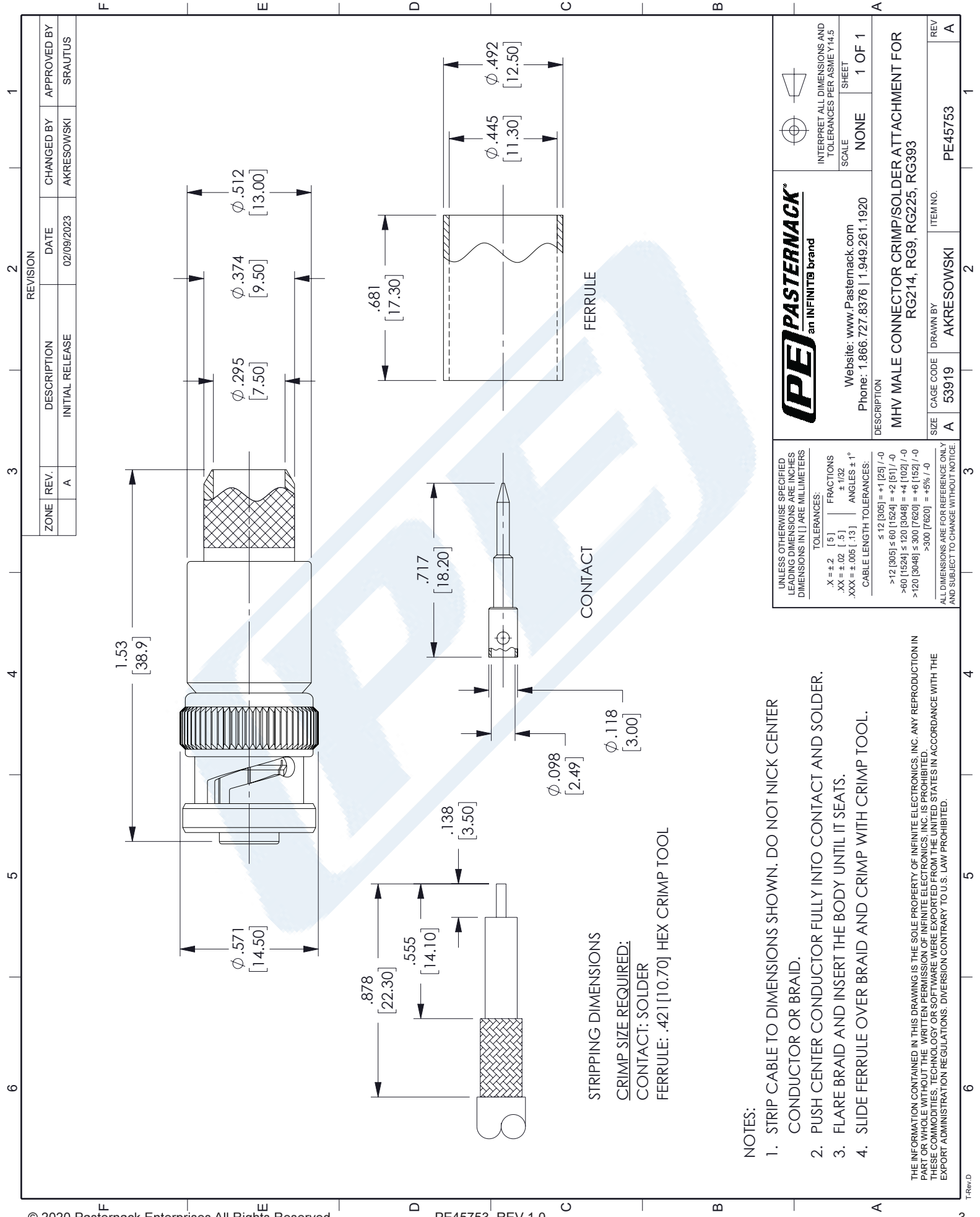
Click the following link (or enter part number in "SEARCH" on website) to obtain additional part information including price, inventory and certifications: [MHV Male Connector Crimp/Solder Attachment for RG214, RG9, RG225, RG393 PE45753](#)

URL: <https://www.pasternack.com/mhv-male-connector-pe45753-p.aspx>

The information contained in this document is accurate to the best of our knowledge and representative of the part described herein. It may be necessary to make modifications to the part and/or the documentation of the part, in order to implement improvements. Pasternack reserves the right to make such changes as required. Unless otherwise stated, all specifications are nominal. Pasternack does not make any representation or warranty regarding the suitability of the part described herein for any particular purpose, and Pasternack does not assume any liability arising out of the use of any part or documentation.

PE45753 CAD Drawing

MHV Male Connector Crimp/Solder Attachment for RG214, RG9, RG225, RG393



STRIPPING DIMENSIONS
 CRIMP SIZE REQUIRED:
 CONTACT: SOLDER
 FERRULE: .421 [10.70] HEX CRIMP TOOL

- NOTES:
1. STRIP CABLE TO DIMENSIONS SHOWN. DO NOT NICK CENTER CONDUCTOR OR BRAID.
 2. PUSH CENTER CONDUCTOR FULLY INTO CONTACT AND SOLDER.
 3. FLARE BRAID AND INSERT THE BODY UNTIL IT SEATS.
 4. SLIDE FERRULE OVER BRAID AND CRIMP WITH CRIMP TOOL.

THE INFORMATION CONTAINED IN THIS DRAWING IS THE SOLE PROPERTY OF INFINITE ELECTRONICS, INC. ANY REPRODUCTION IN PART OR WHOLE WITHOUT THE WRITTEN PERMISSION OF INFINITE ELECTRONICS, INC. IS PROHIBITED. THESE COMMODITIES, TECHNOLOGY OR SOFTWARE WERE EXPORTED FROM THE UNITED STATES IN ACCORDANCE WITH THE EXPORT ADMINISTRATION REGULATIONS. DIVERSION CONTRARY TO U.S. LAW PROHIBITED.

ZONE	REV.	DESCRIPTION	DATE	CHANGED BY	APPROVED BY
A		INITIAL RELEASE	02/09/2023	AKRESOWSKI	SRAUTUS

REVISION



Website: www.Pasternack.com
 Phone: 1.866.727.8376 | 1.949.261.1920

INTERPRET ALL DIMENSIONS AND TOLERANCES PER ASME Y14.5
 SCALE: NONE
 SHEET: 1 OF 1

DESCRIPTION
MHV MALE CONNECTOR CRIMP/SOLDER ATTACHMENT FOR RG214, RG9, RG225, RG393

SIZE	CAGE CODE	DRAWN BY	ITEM NO.	REV
A	53919	AKRESOWSKI	PE45753	A