



SMP Male Limited Detent Connector Solder Attachment Surface Mount PCB, With Pick Cap, 1 Reel Contains 1500 pieces

RF Connectors  
Technical Data Sheet

PE45278TR1500

**Configuration**

- Limited Detent SMP Male Connector
- MIL-STD-348
- 50 Ohms
- Straight Body Geometry
- Connector Interface Types: Surface Mount

**Features**

- Max. Operating Frequency 26.5 GHz
- Gold Plated Brass Contact
- Blind Mate Connector
- End Cap for pick and place

**Applications**

- General Purpose Test
- PCB Applications

**Description**

Pasternack's PE45278TR1500 SMP male limited detent connector with solder attachment for Surface Mount PCB is part of our full line of RF components available for same-day shipping. Our SMP male connector operates up to a maximum frequency of 26.5 GHz. The Pasternack blind mate connector is ideal for applications where direct visual or tactile access to the connection point is not possible, for example, when two circuit boards need to be mated.

Our SMP male connector PE45278TR1500 datasheet specifications and drawing with dimensions are shown below in this PDF. Pasternack's broad catalog of RF, microwave and millimeter wave connectors allows designers to configure and customize their signal connections however they like. Whether the need is to provide an I/O for a board design, or simply create a custom cable assembly configuration, Pasternack has the right connector for the job. Pasternack can also expertly build your custom cable assemblies for you and ship same-day.

**Electrical Specifications**

Description	Minimum	Typical	Maximum	Units
Frequency Range	DC		26.5	GHz
Operating Voltage (AC)			335	Vrms
Test Voltage (AC)			500	Vrms
Inner Conductor DC Resistance			6	mOhms
Outer Conductor DC Resistance			2	mOhms
Insulation Resistance	5,000			MOhms

**Performance by Frequency**

Description	F1	F2	F3	F4	F5	Units
Frequency Range	DC to 6	6 to 12				GHz
VSWR, Max	1.11:1	1.23:1				

Electrical Specification Notes:  
Insertion loss = 0.05 x sqrt(fGHz) dB max.

Click the following link (or enter part number in "SEARCH" on website) to obtain additional part information including price, inventory and certifications: [SMP Male Limited Detent Connector Solder Attachment Surface Mount PCB, With Pick Cap, 1 Reel Contains 1500 pieces PE45278TR1500](#)



SMP Male Limited Detent Connector Solder Attachment Surface Mount PCB, With Pick Cap, 1 Reel Contains 1500 pieces

RF Connectors  
Technical Data Sheet

PE45278TR1500

**Mechanical Specifications**

<b>Size</b>	
Length	0.236 in [5.99 mm]
Width/Dia.	0.197 in [5.00 mm]
Height	0.213 in [5.41 mm]
Mating Cycles	500 Cycles

**Material Specifications**

Description	Material	Plating
Contact	Brass	Gold
Insulation	LCP	
Body	Brass	Gold

**Environmental Specifications**

<b>Temperature</b>	
Operating Range	-65 to +155 deg C
Humidity	MIL-STD-202, Method 106
Shock	MIL-STD-202, Method 213, Condition A
Vibration	MIL-STD-202, Method 204, Condition B
Thermal Shock	MIL-STD-202, Method 107, Condition B

**Compliance Certifications** (see [product page](#) for current document)

**Plotted and Other Data**

Notes:

Click the following link (or enter part number in "SEARCH" on website) to obtain additional part information including price, inventory and certifications: [SMP Male Limited Detent Connector Solder Attachment Surface Mount PCB, With Pick Cap, 1 Reel Contains 1500 pieces PE45278TR1500](#)



## SMP Male Limited Detent Connector Solder Attachment Surface Mount PCB, With Pick Cap, 1 Reel Contains 1500 pieces

### RF Connectors Technical Data Sheet

PE45278TR1500

SMP Male Limited Detent Connector Solder Attachment Surface Mount PCB, With Pick Cap, 1 Reel Contains 1500 pieces from Pasternack Enterprises has same day shipment for domestic and International orders. Our RF, microwave and millimeter wave products maintain a 99.4% availability and are part of the broadest selection in the industry.

Click the following link (or enter part number in "SEARCH" on website) to obtain additional part information including price, inventory and certifications: [SMP Male Limited Detent Connector Solder Attachment Surface Mount PCB, With Pick Cap, 1 Reel Contains 1500 pieces PE45278TR1500](https://www.pasternack.com/smp-male-limited-detent-surface-mount-pcb-connector-pe45278tr1500-p.aspx)

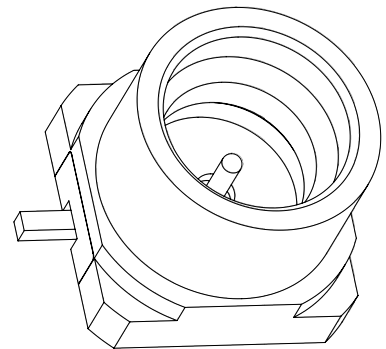
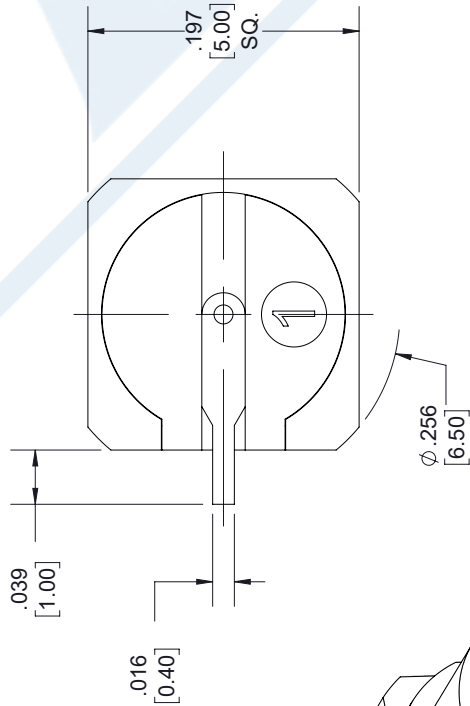
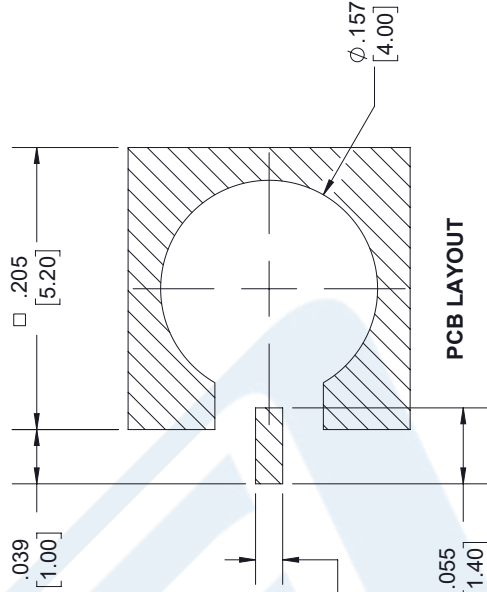
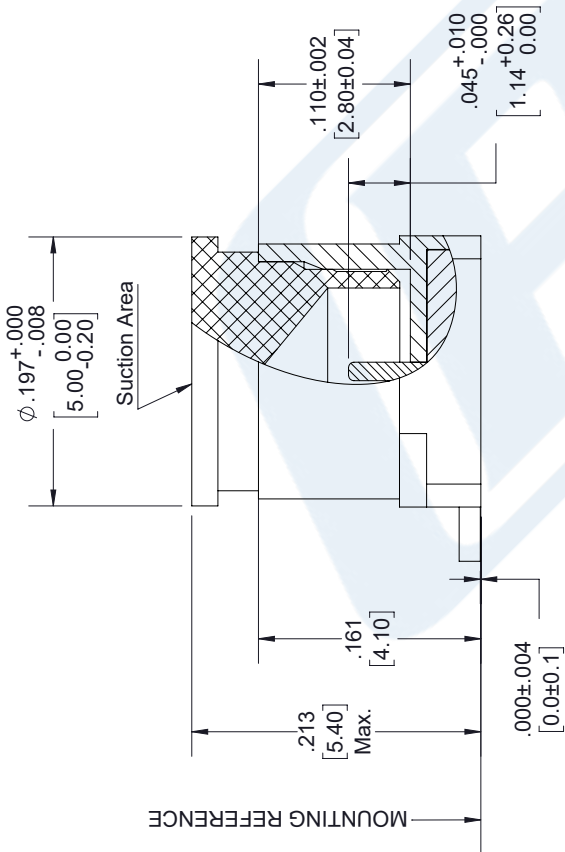
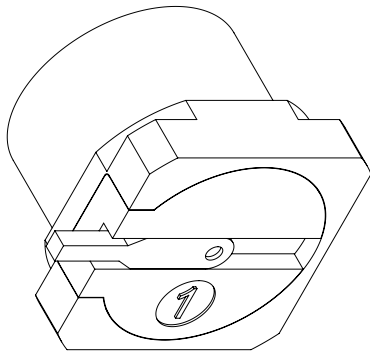
URL: <https://www.pasternack.com/smp-male-limited-detent-surface-mount-pcb-connector-pe45278tr1500-p.aspx>

The information contained in this document is accurate to the best of our knowledge and representative of the part described herein. It may be necessary to make modifications to the part and/or the documentation of the part, in order to implement improvements. Pasternack reserves the right to make such changes as required. Unless otherwise stated, all specifications are nominal. Pasternack does not make any representation or warranty regarding the suitability of the part described herein for any particular purpose, and Pasternack does not assume any liability arising out of the use of any part or documentation.

# PE45278TR1500 CAD Drawing

SMP Male Limited Detent Connector Solder Attachment Surface  
Mount PCB, With Pick Cap, 1 Reel Contains 1500 pieces

REV.	DESCRIPTION	DATE	APPROVED
A	PCR PE45278TR1	2/26/2020	S.ELLIS



UNLESS OTHERWISE SPECIFIED  
LEADING DIMENSIONS ARE INCHES  
DIMENSIONS IN [ ] ARE MILLIMETERS

TOLERANCES:

.X = ±.2	[5.08]	FRACTIONS
.XX = ±.02	[.51]	± 1/32
.XXX = ±.005	[.13]	ANGLES ± 1°

CABLE LENGTH (L) TOLERANCES:

L ≤ 12	[305]	= +1 [25] / -0
12 [305] < L ≤ 60	[1524]	= +2 [51] / -0
60 [1524] < L ≤ 120	[3048]	= +4 [102] / -0
120 [3048] < L ≤ 300	[7620]	= +6 [152] / -0
300 [7620] < L		= +5%L / -0

ALL DIMENSIONS SHOWN  
ARE FOR REFERENCE ONLY.

**PE PASTERNAK**  
an INFINITI brand

Pasternack Enterprises, Inc.  
P. O. Box 16759, Irvine, CA 92623.  
Phone: 1.949.261.1920 | 1.866.727.8376  
Fax: 1.949.261.7451  
Website: www.pasternack.com  
E-mail: sales@pasternack.com

THIRD-ANGLE PROJECTION

THE INFORMATION AND DESIGN IN THIS DOCUMENT IS THE PROPERTY OF PASTERNAK CORPORATION. ALL RIGHTS RESERVED.

SHEET 1 OF 2  
SCALE N/A

SIZE A  
CAGE CODE 53919  
DRAWN BY K.DANG  
ITEM NO. PE45278TR1500  
REV A

# PE45278TR1500 CAD Drawing

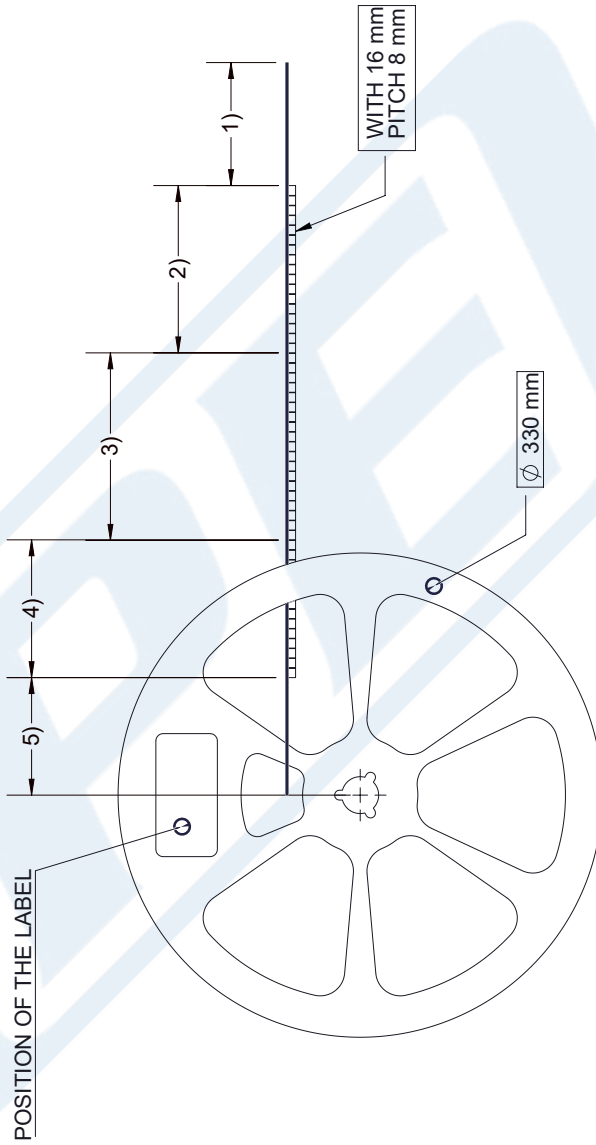
SMP Male Limited Detent Connector Solder Attachment Surface  
Mount PCB, With Pick Cap, 1 Reel Contains 1500 pieces

**NOTES:**

- 1) SUPPLY (only masking tape) Min. 230 mm
- 2) SEALED POCKETS Min. 170 mm
- 3) TIPPED POCKETS 1500 pcs.
- 4) SEALED POCKETS Min. 160 mm
- 5) BACKLASH (only masking tape) Min. 500 mm

**FOR PACKAGING:**

- a) TAPE & REEL PACKING IS IN ACCORDANCE WITH IEC 60286-3.
- b) FOR PROPER DIMENSIONS OF THE TAPE PLEASE SEE THE COMPONENT DRAWING OF THE TAPE.



POSITION OF THE LABEL

UNLESS OTHERWISE SPECIFIED  
LEADING DIMENSIONS ARE INCHES  
DIMENSIONS IN [ ] ARE MILLIMETERS

**TOLERANCES:**

- |              |        |             |
|--------------|--------|-------------|
| .X = ±.2     | [5.08] | FRACTIONS   |
| .XX = ±.02   | [.51]  | ± 1/32      |
| .XXX = ±.005 | [.13]  | ANGLES ± 1° |
- CABLE LENGTH (L) TOLERANCES:**
- |                      |        |                 |
|----------------------|--------|-----------------|
| L ≤ 12               | [305]  | = +1 [25] / -0  |
| 12 [305] < L ≤ 60    | [1524] | = +2 [51] / -0  |
| 60 [1524] < L ≤ 120  | [3048] | = +4 [102] / -0 |
| 120 [3048] < L ≤ 300 | [7620] | = +6 [152] / -0 |
| 300 [7620] < L =     | +5%    | / -0            |
- ALL DIMENSIONS SHOWN  
ARE FOR REFERENCE ONLY.

**PE PASTERNAK**  
an INFINIT brand

Pasternack Enterprises, Inc.  
P. O. Box 16759, Irvine, CA 92623.  
Phone: 1.949.261.1920 | 1.866.727.8376  
Fax: 1.949.261.7451  
Website: www.pasternack.com  
E-mail: sales@pasternack.com

ITEM NO. PE45278TR1500

SIZE A CAGE CODE 53919 DRAWN BY K.DANG

THIRD-ANGLE PROJECTION

THE INFORMATION AND DESIGN IN THIS DOCUMENT IS THE PROPERTY OF PASTERNAK CORPORATION. ALL RIGHTS RESERVED.

SHEET 2 OF 2

SCALE N/A

REV A

THESE COMMODITIES, TECHNOLOGY OR SOFTWARE WERE EXPORTED FROM THE UNITED STATES IN ACCORDANCE WITH THE EXPORT ADMINISTRATION REGULATIONS. DIVERSION CONTRARY TO U.S. LAW PROHIBITED.