



# SMA Female Field Replaceable Connector With EMI Gasket 2 Hole Flange Mount .012 inch Pin

## RF Connectors Technical Data Sheet

PE45217

### Configuration

- SMA Female Connector
- MIL-STD-348
- 50 Ohms
- Straight Body Geometry
- .012 inch Pin Interface Type
- Field Replaceable Attachment
- 2 Hole Flange

### Electrical Specifications

Description	Minimum	Typical	Maximum	Units
Frequency Range	DC		18	GHz
VSWR			1.25:1	
Operating Voltage (AC)			335	Vrms

### Mechanical Specifications

#### Size

Length	0.375 in [9.53 mm]
Width/Dia.	0.223 in [5.66 mm]
Height	0.625 in [15.88 mm]
Weight	0.006 lbs [2.72 g]
Mating Cycles	500 Cycles

### Material Specifications

Description	Material	Plating
Contact	Beryllium Copper	Gold 50µ in. minimum
Insulation	PTFE	
Outer Conductor	Passivated Stainless Steel	
Body	Passivated Stainless Steel	

### Environmental Specifications

#### Temperature

Operating Range	-65 to 165 deg C
-----------------	------------------

Click the following link (or enter part number in "SEARCH" on website) to obtain additional part information including price, inventory and certifications: [SMA Female Field Replaceable Connector With EMI Gasket 2 Hole Flange Mount .012 inch Pin PE45217](#)



## SMA Female Field Replaceable Connector With EMI Gasket 2 Hole Flange Mount .012 inch Pin

### RF Connectors Technical Data Sheet

PE45217

#### Compliance Certifications (visit [www.Pasternack.com](http://www.Pasternack.com) for current document)

RoHS Compliant

REACH Compliant

12/15/2015

#### Plotted and Other Data

Notes:

SMA Female Field Replaceable Connector With EMI Gasket 2 Hole Flange Mount .012 inch Pin from Pasternack Enterprises has same day shipment for domestic and International orders. Our RF, microwave and millimeter wave products maintain a 99% availability and are part of the broadest selection in the industry.

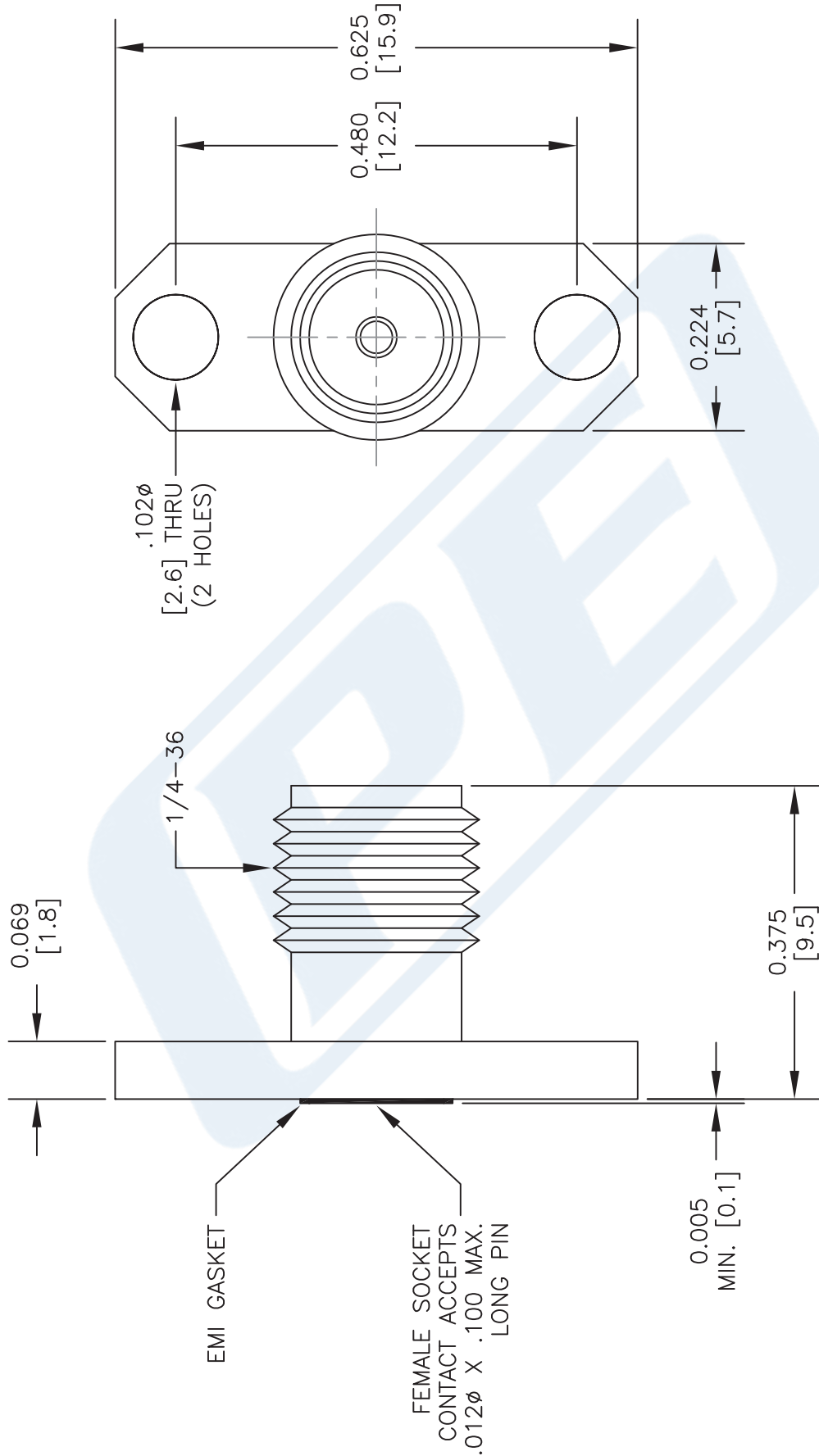
Click the following link (or enter part number in "SEARCH" on website) to obtain additional part information including price, inventory and certifications: [SMA Female Field Replaceable Connector With EMI Gasket 2 Hole Flange Mount .012 inch Pin PE45217](http://www.pasternack.com/sma-female-.012-pin-connector-pe45217-p.aspx)

URL: <http://www.pasternack.com/sma-female-.012-pin-connector-pe45217-p.aspx>

The information contained in this document is accurate to the best of our knowledge and representative of the part described herein. It may be necessary to make modifications to the part and/or the documentation of the part, in order to implement improvements. Pasternack reserves the right to make such changes as required. Unless otherwise stated, all specifications are nominal. Pasternack does not make any representation or warranty regarding the suitability of the part described herein for any particular purpose, and Pasternack does not assume any liability arising out of the use of any part or documentation.

# PE45217 CAD Drawing

SMA Female Field Replaceable Connector With EMI  
Gasket 2 Hole Flange Mount .012 inch Pin



DWG TITLE

**PE45217**

FSCM NO. 53919

- NOTES:
1. UNLESS OTHERWISE SPECIFIED ALL DIMENSIONS ARE NOMINAL.
  2. ALL SPECIFICATIONS ARE SUBJECT TO CHANGE WITHOUT NOTICE AT ANY TIME.
  3. DIMENSIONS ARE IN INCHES [mm].
  4. FITS MIL-C-17 AND EQUIVALENT CABLES.

CAD FILE 010516

SCALE N/A

SIZE A

2233

**PE PASTERNAK**  
THE ENGINEER'S RF SOURCE

Pasternack Enterprises, Inc.  
P.O. Box 16759 | Irvine | CA | 92623

Phone: (949) 261-1920 | Fax: (949) 261-7451

Website: www.pasternack.com | E-Mail: sales@pasternack.com