



SMP Male Smooth Bore Connector Solder Attachment Thread-In Mount Pin Terminal .065 inch Pin Length Pre-Tinned

TECHNICAL DATA SHEET

PE44964

**Configuration**

Connector	SMP Male, Smooth Bore
Connector Specification	MIL-STD-348
Connector Interface Type	Pin
Attachment Method (Shield/Contact)	Solder
Body Style	Straight
Mount Method	Thread-In

**Electrical Specifications**

Impedance	50 Ohms
-----------	---------

**Mechanical Specifications**

**Temperature**

Operating Range	-55 to +125 deg C
-----------------	-------------------

**Size**

Length	0.297 in [7.54 mm]
Width/Dia.	0.19 in [4.83 mm]
Weight	0.082 lbs [37.19 g]

**Connector**

Type	SMP Male
Contact Material and Plating	Beryllium Copper, Gold
Contact Plating Specification	MIL-G-45204
Body Material and Plating	Passivated Stainless Steel
Body Plating Specification	AMS-QQ-P-35
Dielectric Type	PTFE

**Compliance Certifications** (visit [www.Pasternack.com](http://www.Pasternack.com) for current document)

RoHS Compliant

Click the following link (or enter part number in "SEARCH" on website) to obtain additional part information including price, inventory and certifications: [SMP Male Smooth Bore Connector Solder Attachment Thread-In Mount Pin Terminal .065 inch Pin Length Pre-Tinned PE44964](#)



## SMP Male Smooth Bore Connector Solder Attachment Thread-In Mount Pin Terminal .065 inch Pin Length Pre-Tinned

### TECHNICAL DATA SHEET

PE44964

#### Plotted and Other Data

Notes:

- Values at +25 °C, sea level

SMP Male Smooth Bore Connector Solder Attachment Thread-In Mount Pin Terminal .065 inch Pin Length Pre-Tinned from Pasternack Enterprises has same day shipment for domestic and International orders. Our RF, microwave and millimeter wave products maintain a 99% availability and are part of the broadest selection in the industry.

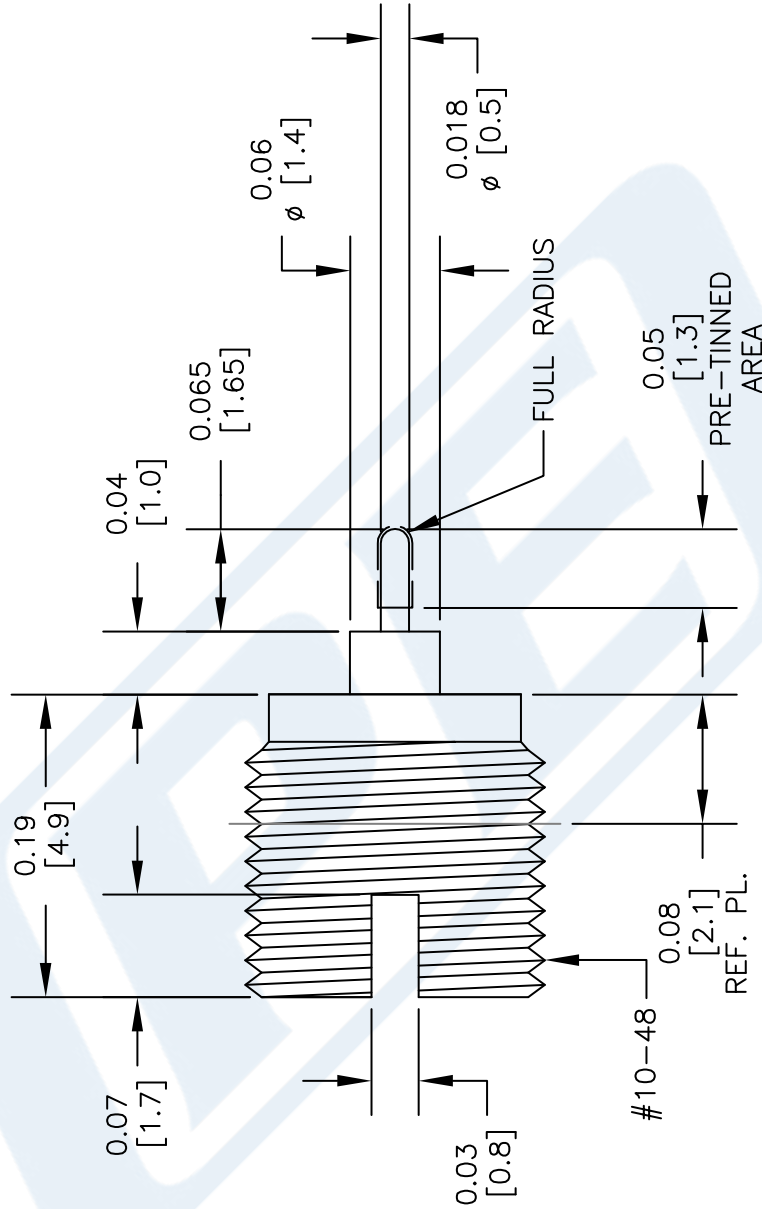
Click the following link (or enter part number in "SEARCH" on website) to obtain additional part information including price, inventory and certifications: [SMP Male Smooth Bore Connector Solder Attachment Thread-In Mount Pin Terminal .065 inch Pin Length Pre-Tinned PE44964](#)

URL: <http://www.pasternack.com/smp-male-standard-pin-terminal-connector-pe44964-p.aspx>

The information contained in this document is accurate to the best of our knowledge and representative of the part described herein. It may be necessary to make modifications to the part and/or the documentation of the part, in order to implement improvements. Pasternack reserves the right to make such changes as required. Unless otherwise stated, all specifications are nominal. Pasternack does not make any representation or warranty regarding the suitability of the part described herein for any particular purpose, and Pasternack does not assume any liability arising out of the use of any part or documentation.

# PE44964 CAD Drawing

SMP Male Smooth Bore Connector Solder Attachment Thread-In Mount Pin Terminal .065 inch Pin Length Pre-Tinned



DWG TITLE

**PE44964**

FSCM NO. 53919

CAD FILE 022714

SCALE N/A

SIZE A

150

NOTES:  
 1. UNLESS OTHERWISE SPECIFIED ALL DIMENSIONS ARE NOMINAL.  
 2. ALL SPECIFICATIONS ARE SUBJECT TO CHANGE WITHOUT NOTICE AT ANY TIME.  
 3. DIMENSIONS ARE IN INCHES [mm].



Pasternack Enterprises, Inc.  
 P.O. Box 16759 | Irvine | CA | 92623  
 Phone: (949) 261-1920 | Fax: (949) 261-7451  
 Website: www.pasternack.com | E-Mail: sales@pasternack.com