



## SMP Male Limited Detent Shroud Thread-In Mount

### TECHNICAL DATA SHEET

PE44953

#### Configuration

Connector	SMP Male, Limited Detent
Connector Specification	DESC 94007
Connector Interface Type	None
Attachment Method (Shield/Contact)	None
Body Style	Straight
Mount Method	Thread-In

#### Electrical Specifications

Impedance	50 Ohms
-----------	---------

#### Mechanical Specifications

##### Size

Length	0.16 in [4.06 mm]
Width/Dia.	0.12 in [3.05 mm]
Weight	0.082 lbs [37.19 g]

##### Connector

Type	SMP Male
Body Material and Plating	Passivated Stainless Steel
Body Plating Specification	QQ-P-35

#### Compliance Certifications (visit [www.Pasternack.com](http://www.Pasternack.com) for current document)

RoHS Compliant

#### Plotted and Other Data

Notes:

- Values at +25 °C, sea level

SMP Male Limited Detent Shroud Thread-In Mount from Pasternack Enterprises has same day shipment for domestic and International orders. Our RF, microwave and millimeter wave products maintain a 99% availability and are part of the broadest selection in the industry.

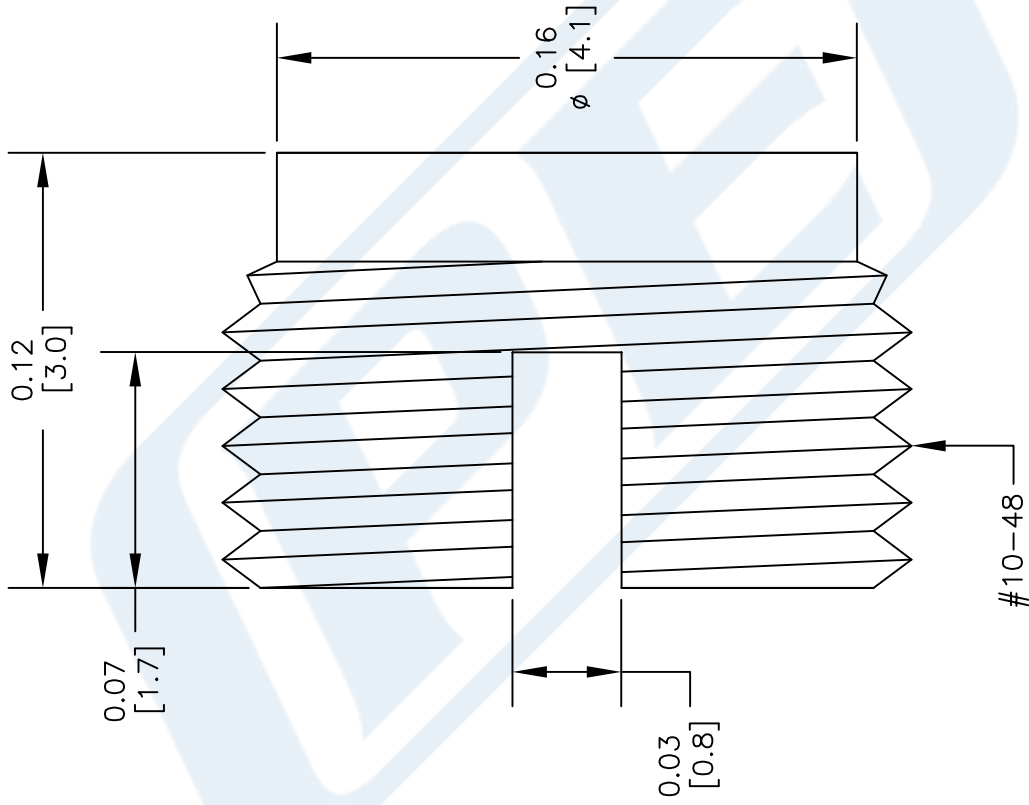
Click the following link (or enter part number in "SEARCH" on website) to obtain additional part information including price, inventory and certifications: [SMP Male Limited Detent Shroud Thread-In Mount PE44953](http://www.pasternack.com/smp-male-standard-shroud-pe44953-p.aspx)

URL: <http://www.pasternack.com/smp-male-standard-shroud-pe44953-p.aspx>

The information contained in this document is accurate to the best of our knowledge and representative of the part described herein. It may be necessary to make modifications to the part and/or the documentation of the part, in order to implement improvements. Pasternack reserves the right to make such changes as required. Unless otherwise stated, all specifications are nominal. Pasternack does not make any representation or warranty regarding the suitability of the part described herein for any particular purpose, and Pasternack does not assume any liability arising out of the use of any part or documentation.

# PE44953 CAD Drawing

## SMP Male Limited Detent Shroud Thread-In Mount



DWG TITLE

**PE44953**

NOTES:  
 1. UNLESS OTHERWISE SPECIFIED ALL DIMENSIONS ARE NOMINAL.  
 2. ALL SPECIFICATIONS ARE SUBJECT TO CHANGE WITHOUT NOTICE AT ANY TIME.  
 3. DIMENSIONS ARE IN INCHES [mm].  
 4. FITS MIL-C-17 AND EQUIVALENT CABLES.

FSCM NO. 53919

CAD FILE 032114

SCALE N/A

SIZE A

150



**PASTERNAK**  
 THE ENGINEER'S RF SOURCE  
 Pasternack Enterprises, Inc.  
 P.O. Box 16759 | Irvine | CA | 92623  
 Phone: (949) 261-1920 | Fax: (949) 261-7451  
 Website: www.pasternack.com | E-Mail: sales@pasternack.com