



SMP Male Smooth Bore Hermetically Sealed
Connector Solder Attachment Solder Mount Pin
Terminal .050 inch Pin Length Full Radius

RF Connectors
Technical Data Sheet

PE44928

Configuration

- Smooth Bore SMP Male Connector
- DESC 94007
- 50 Ohms
- Straight Body Geometry
- Connector Interface Types: Pin
- Solder

Features

- Gold Plated Kovar Contact
- Contact plating according to MIL-G-45204
- Blind Mate Connector
- Hermetically Sealed

Applications

- General Purpose Test

Description

Pasternack's PE44928 SMP male smooth bore solder mount hermetically sealed connector with solder attachment Pin terminal is part of our full line of RF components available for same-day shipping. The Pasternack blind mate connector is ideal for applications where direct visual or tactile access to the connection point is not possible, for example, when two circuit boards need to be mated.

Our SMP male solder connector PE44928 datasheet specifications and drawing with dimensions are shown below in this PDF. Pasternack's broad catalog of RF, microwave and millimeter wave connectors allows designers to configure and customize their signal connections however they like. Whether the need is to provide an I/O for a board design, or simply create a custom cable assembly configuration, Pasternack has the right connector for the job. Pasternack can also expertly build your custom cable assemblies for you and ship same-day.

Mechanical Specifications

Size	
Length	0.19 in [4.83 mm]
Width/Dia.	0.145 in [3.68 mm]
Weight	0.001 lbs [0.45 g]

Material Specifications

Description	Material	Plating
Contact	Kovar	Gold MIL-G-45204
Body	Kovar	Gold MIL-G-45204

Click the following link (or enter part number in "SEARCH" on website) to obtain additional part information including price, inventory and certifications: [SMP Male Smooth Bore Hermetically Sealed Connector Solder Attachment Solder Mount Pin Terminal .050 inch Pin Length Full Radius PE44928](#)



SMP Male Smooth Bore Hermetically Sealed
Connector Solder Attachment Solder Mount Pin
Terminal .050 inch Pin Length Full Radius

RF Connectors
Technical Data Sheet

PE44928

Environmental Specifications

Temperature

Operating Range

-55 to +125 deg C

Compliance Certifications (see [product page](#) for current document)

Plotted and Other Data

Notes:

SMP Male Smooth Bore Hermetically Sealed Connector Solder Attachment Solder Mount Pin Terminal .050 inch Pin Length Full Radius from Pasternack Enterprises has same day shipment for domestic and International orders. Our RF, microwave and millimeter wave products maintain a 99.4% availability and are part of the broadest selection in the industry.

Click the following link (or enter part number in "SEARCH" on website) to obtain additional part information including price, inventory and certifications: [SMP Male Smooth Bore Hermetically Sealed Connector Solder Attachment Solder Mount Pin Terminal .050 inch Pin Length Full Radius PE44928](#)

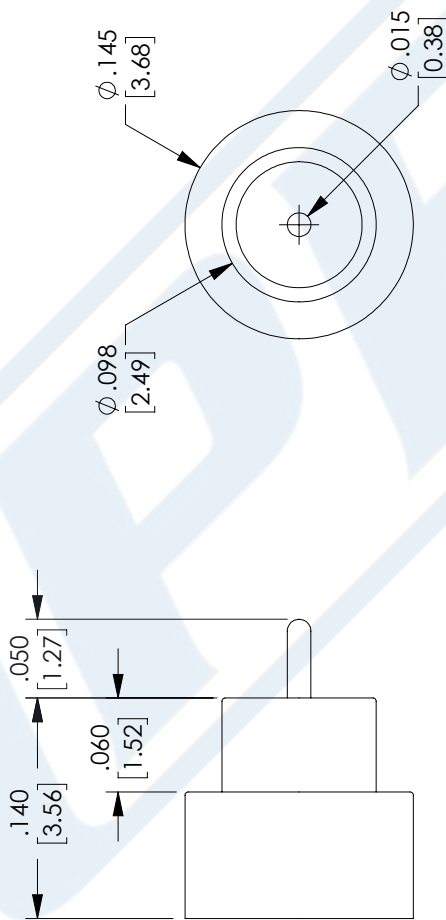
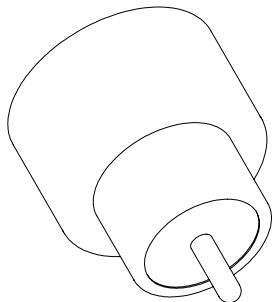
URL: <https://www.pasternack.com/smp-male-standard-pin-terminal-connector-pe44928-p.aspx>

The information contained in this document is accurate to the best of our knowledge and representative of the part described herein. It may be necessary to make modifications to the part and/or the documentation of the part, in order to implement improvements. Pasternack reserves the right to make such changes as required. Unless otherwise stated, all specifications are nominal. Pasternack does not make any representation or warranty regarding the suitability of the part described herein for any particular purpose, and Pasternack does not assume any liability arising out of the use of any part or documentation.

PE44928 CAD Drawing

SMP Male Smooth Bore Hermetically Sealed Connector Solder Attachment Solder Mount Pin Terminal .050 inch Pin Length Full Radius

REVISIONS			
REV.	DESCRIPTION	DATE	APPROVED
A	INITIAL RELEASE	10/25/2021	SRAUTUS



UNLESS OTHERWISE SPECIFIED LEADING DIMENSIONS ARE INCHES DIMENSIONS IN [] ARE MILLIMETERS

TOLERANCES:

.X = ± .2	[5.08]	FRACTIONS
.XX = ± .02	[.51]	± 1/32
.XXX = ± .005	[.13]	ANGLES ± 1°

CABLE LENGTH (L) TOLERANCES:

L ≤ 12	[305]	= +1 [25] / -0
12 [305] < L ≤ 60	[1524]	= +2 [51] / -0
60 [1524] < L ≤ 120	[3048]	= +4 [102] / -0
120 [3048] < L ≤ 300	[7620]	= +6 [152] / -0
300 [7620] < L		= +5%L / -0

ALL DIMENSIONS SHOWN ARE FOR REFERENCE ONLY.

THIRD-ANGLE PROJECTION

THE INFORMATION AND DESIGN IN THIS DOCUMENT IS THE PROPERTY OF PASTERNAK CORPORATION ALL RIGHTS RESERVED.

SHEET 1 OF 1

SCALE N/A

REV A

ITEM NO. PE44928

DRAWN BY DFRISIELLO

CAGE CODE A

53919

1.949.261.7451

1.866.727.8376

www.pasternack.com

sales@pasternack.com

P.O. Box 16759, Irvine, CA 92623.

Pasternack Enterprises, Inc.

an INFINITI brand

PE PASTERNAK

WARNING - This document/software contains technical data/software whose export is restricted by the Arms Export Control Act (Title 22, U.S.C., Sec 2751 et seq.) or the Export Administration Act of 1979, as amended, (Title 50, U.S.C., App. 2401, et seq.). Violations of these export laws are subject to severe criminal penalties. Disseminate in accordance with provisions of DoD Directive 5230.25. DESTRUCTION NOTICE - For classified documents, follow the procedures in DoD 5220.22-M, National Industrial Security Program Operating Manual. THIS DOCUMENT IS UNCLASSIFIED EXCEPT WHERE SHOWN OTHERWISE. ALL INFORMATION CONTAINED HEREIN IS UNCLASSIFIED EXCEPT WHERE SHOWN OTHERWISE. DIVERSION CONTRARY TO U.S. LAW PROHIBITED.