



SMP Male Limited Detent Hermetically Sealed Connector Solder Attachment Solder Mount Pin Terminal .070 inch Pin Length

RF Connectors
Technical Data Sheet

PE44926

Configuration

- Limited Detent SMP Male Connector
- DESC 94007
- 50 Ohms
- Straight Body Geometry
- Connector Interface Types: Pin
- Solder

Features

- Max. Operating Frequency 40 GHz
- Gold Plated Kovar Contact
- Contact plating according to MIL-G-45204
- Blind Mate Connector
- Hermetically Sealed

Applications

- General Purpose Test

Description

Pasternack's PE44926 SMP male limited detent solder mount hermetically sealed connector with solder attachment Pin terminal is part of our full line of RF components available for same-day shipping. Our SMP male connector operates up to a maximum frequency of 40 GHz. The Pasternack blind mate connector is ideal for applications where direct visual or tactile access to the connection point is not possible, for example, when two circuit boards need to be mated.

Our SMP male solder connector PE44926 datasheet specifications and drawing with dimensions are shown below in this PDF. Pasternack's broad catalog of RF, microwave and millimeter wave connectors allows designers to configure and customize their signal connections however they like. Whether the need is to provide an I/O for a board design, or simply create a custom cable assembly configuration, Pasternack has the right connector for the job. Pasternack can also expertly build your custom cable assemblies for you and ship same-day.

Electrical Specifications

Description	Minimum	Typical	Maximum	Units
Frequency Range	DC		40	GHz

Mechanical Specifications

Size	
Length	0.25 in [6.35 mm]
Width/Dia.	0.164 in [4.17 mm]
Weight	0.006 lbs [2.72 g]

Click the following link (or enter part number in "SEARCH" on website) to obtain additional part information including price, inventory and certifications: [SMP Male Limited Detent Hermetically Sealed Connector Solder Attachment Solder Mount Pin Terminal .070 inch Pin Length PE44926](#)



SMP Male Limited Detent Hermetically Sealed Connector Solder Attachment Solder Mount Pin Terminal .070 inch Pin Length

RF Connectors
Technical Data Sheet

PE44926

Material Specifications

Description	Material	Plating
Contact	Kovar	Gold MIL-G-45204
Body	Kovar	Gold MIL-G-45204

Environmental Specifications

Temperature

Operating Range -55 to +125 deg C

Compliance Certifications (see [product page](#) for current document)

Plotted and Other Data

Notes:

SMP Male Limited Detent Hermetically Sealed Connector Solder Attachment Solder Mount Pin Terminal .070 inch Pin Length from Pasternack Enterprises has same day shipment for domestic and International orders. Our RF, microwave and millimeter wave products maintain a 99.4% availability and are part of the broadest selection in the industry.

Click the following link (or enter part number in "SEARCH" on website) to obtain additional part information including price, inventory and certifications: [SMP Male Limited Detent Hermetically Sealed Connector Solder Attachment Solder Mount Pin Terminal .070 inch Pin Length PE44926](#)

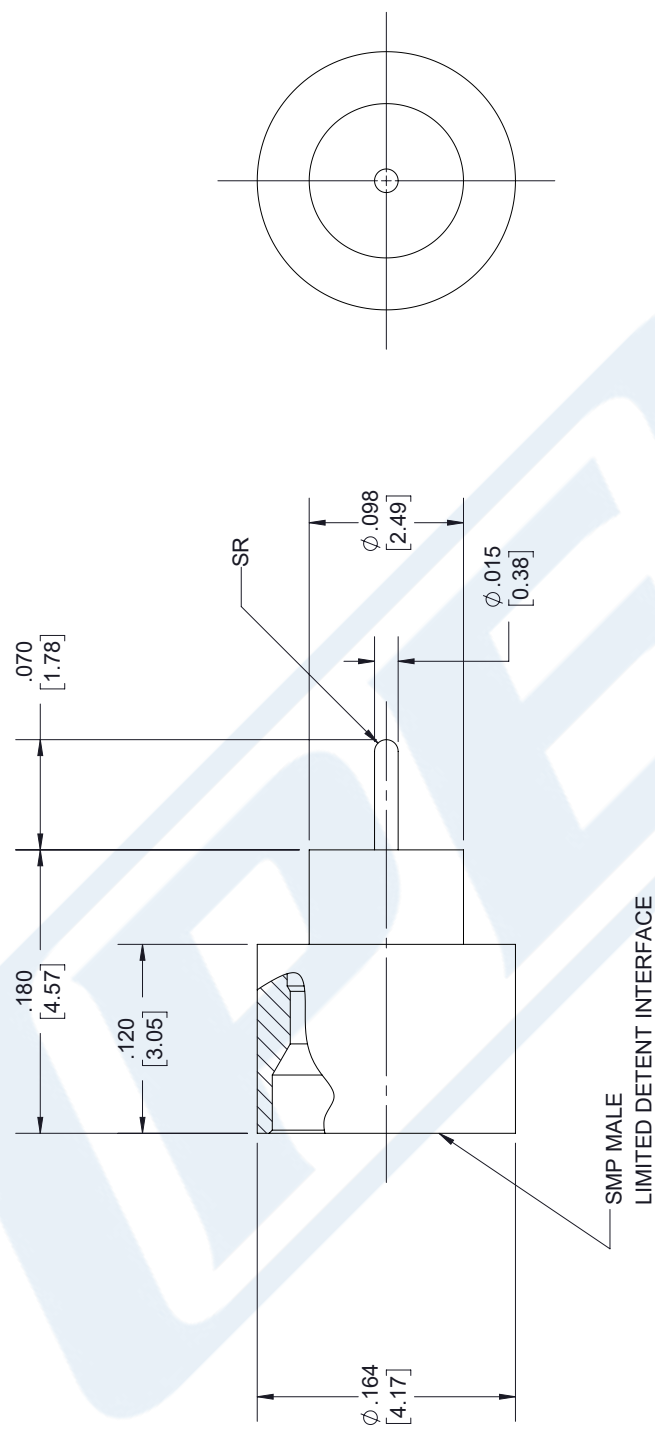
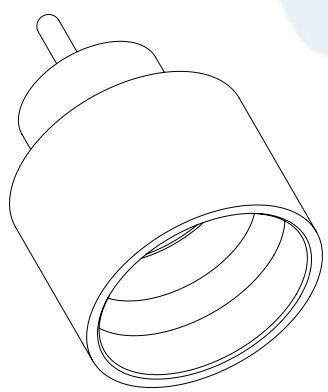
URL: <https://www.pasternack.com/smp-male-standard-pin-terminal-connector-pe44926-p.aspx>

The information contained in this document is accurate to the best of our knowledge and representative of the part described herein. It may be necessary to make modifications to the part and/or the documentation of the part, in order to implement improvements. Pasternack reserves the right to make such changes as required. Unless otherwise stated, all specifications are nominal. Pasternack does not make any representation or warranty regarding the suitability of the part described herein for any particular purpose, and Pasternack does not assume any liability arising out of the use of any part or documentation.

PE44926 CAD Drawing

SMP Male Limited Detent Hermetically Sealed Connector Solder Attachment Solder Mount Pin Terminal .070 inch Pin Length

REVISIONS			
REV.	DESCRIPTION	DATE	APPROVED
B	PCR SC5296 20220805	09/02/2022	AGANWANI



PE PASTERNAK
an INFINITI[®] brand

Pasternack Enterprises, Inc.
P.O. Box 16759, Irvine, CA 92623.
Phone: 1.949.261.1920 | 1.866.727.8376
Fax: 1.949.261.7451
Website: www.pasternack.com
E-mail: sales@pasternack.com

THIRD-ANGLE PROJECTION

THE INFORMATION AND DESIGN IN THIS DOCUMENT IS THE PROPERTY OF PASTERNAK CORPORATION. ALL RIGHTS RESERVED.

SHEET 1 OF 1

SCALE N/A

UNLESS OTHERWISE SPECIFIED LEADING DIMENSIONS ARE INCHES DIMENSIONS IN [] ARE MILLIMETERS

TOLERANCES:

.X = ±.2	[5.08]	FRACTIONS
.XX = ±.02	[.51]	± 1/32
.XXX = ±.005	[.13]	ANGLES ± 1°

CABLE LENGTH (L) TOLERANCES:

L ≤ 12	[305]	= +1 [25] / -0
12 [305] < L ≤ 60	[1524]	= +2 [51] / -0
60 [1524] < L ≤ 120	[3048]	= +4 [102] / -0
120 [3048] < L ≤ 300	[7620]	= +6 [152] / -0
300 [7620] < L		= +5%L / -0

ALL DIMENSIONS SHOWN ARE FOR REFERENCE ONLY.

- NOTES:
- FORCE TO ENGAGE: 10.0 LBS MAX.
FORCE TO DISENGAGE: 2.0 LBS MIN.

THESE COMMODITIES, TECHNOLOGY OR SOFTWARE WERE EXPORTED FROM THE UNITED STATES IN ACCORDANCE WITH THE EXPORT ADMINISTRATION REGULATIONS. DIVERSION CONTRARY TO U.S. LAW PROHIBITED.

SIZE	CAGE CODE	DRAWN BY	ITEM NO.	REV
A	53919	AKRESOWSK	PE44926	B